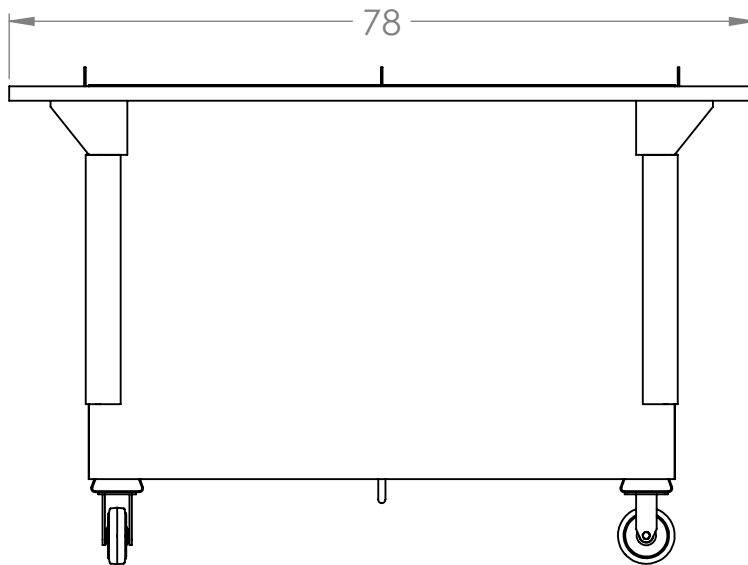
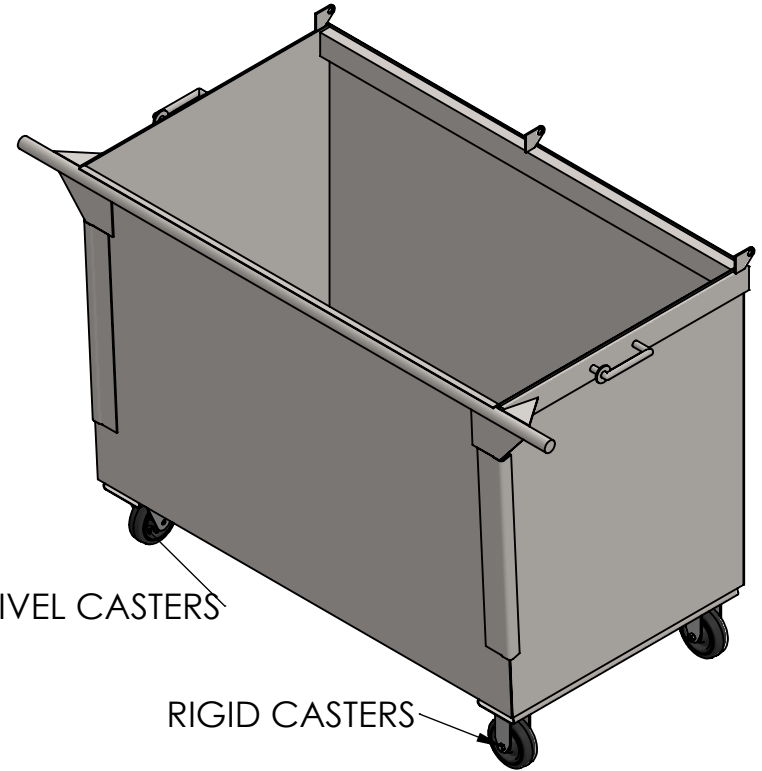
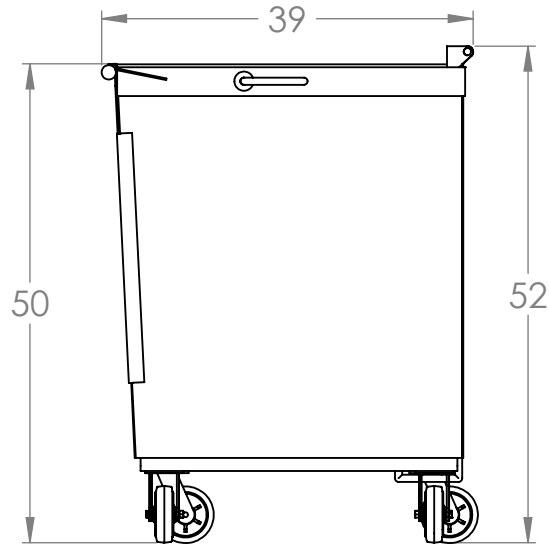


2

1



SWIVEL CASTERS

RIGID CASTERS

# POYNETTE IRONWORKS

### PROPRIETARY AND CONFIDENTIAL

THE INFORMATION CONTAINED IN THIS DRAWING IS THE SOLE PROPERTY OF POYNETTE IRONWORKS. ANY REPRODUCTION IN PART OR AS A WHOLE WITHOUT THE WRITTEN PERMISSION OF POYNETTE IRONWORKS IS PROHIBITED.

UNLESS OTHERWISE SPECIFIED:		TITLE:	
DIMENSIONS ARE IN INCHES		PART NO:	
TOLERANCES:		2 RLNS	
FRACTIONAL	±1/2	SIZE	DESIGNED BY:
WEIGHT	±5%	A	DATE:
MATERIAL			3/25/2020
		SCALE: 1:20	WEIGHT: 435
			REV -
			SHEET 1 OF 1

2

1

B

B

A

A