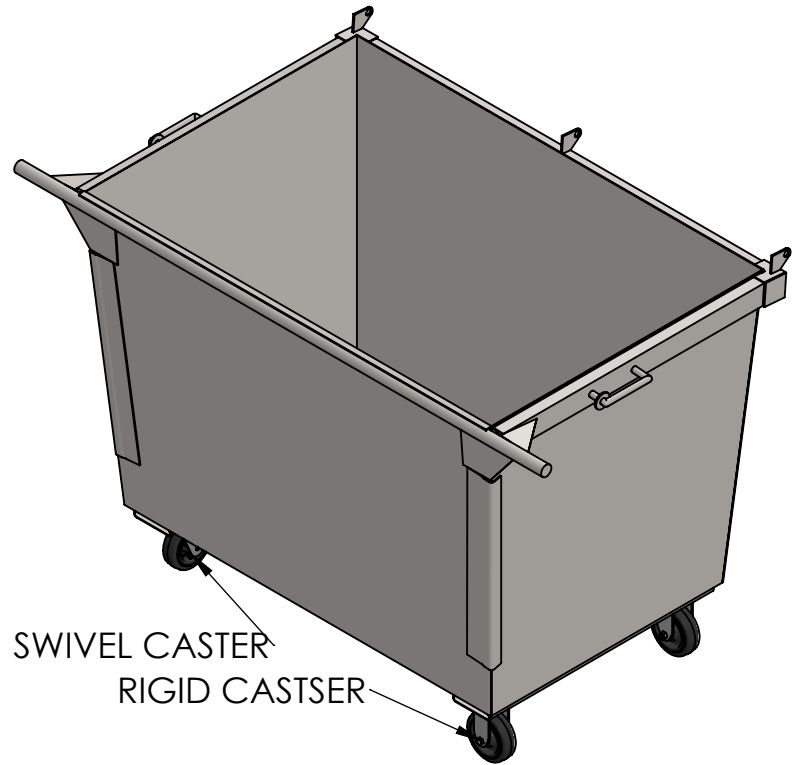
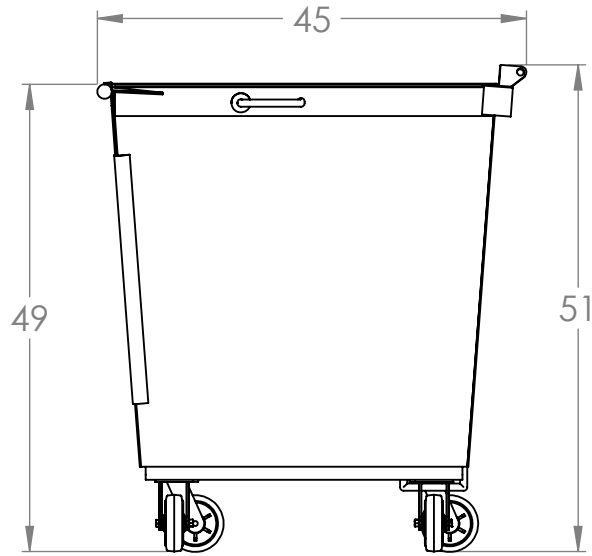


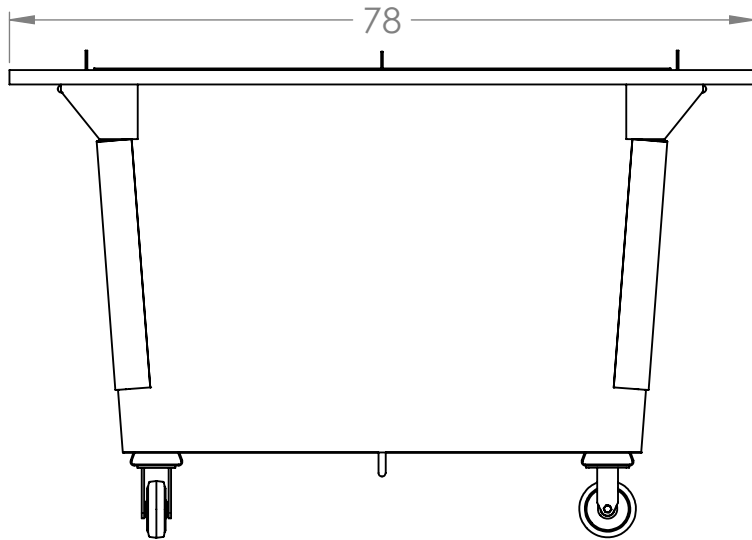
2

1



B

B



SWIVEL CASTER
RIGID CASTSER

A

A

POYNETTE IRONWORKS

PROPRIETARY AND CONFIDENTIAL		TITLE:	
THE INFORMATION CONTAINED IN THIS DRAWING IS THE SOLE PROPERTY OF POYNETTE IRONWORKS. ANY REPRODUCTION IN PART OR AS A WHOLE WITHOUT THE WRITTEN PERMISSION OF POYNETTE IRONWORKS IS PROHIBITED.		UNLESS OTHERWISE SPECIFIED:	
DIMENSIONS ARE IN INCHES		PART NO:	
TOLERANCES:		2 RLST	
FRACTIONAL ±1/2		SIZE	DESIGNED BY:
WEIGHT ±5%		A	DATE:
MATERIAL		3/26/2020	
SCALE: 1:20		WEIGHT: 435	REV -
			SHEET 1 OF 1

2

1