

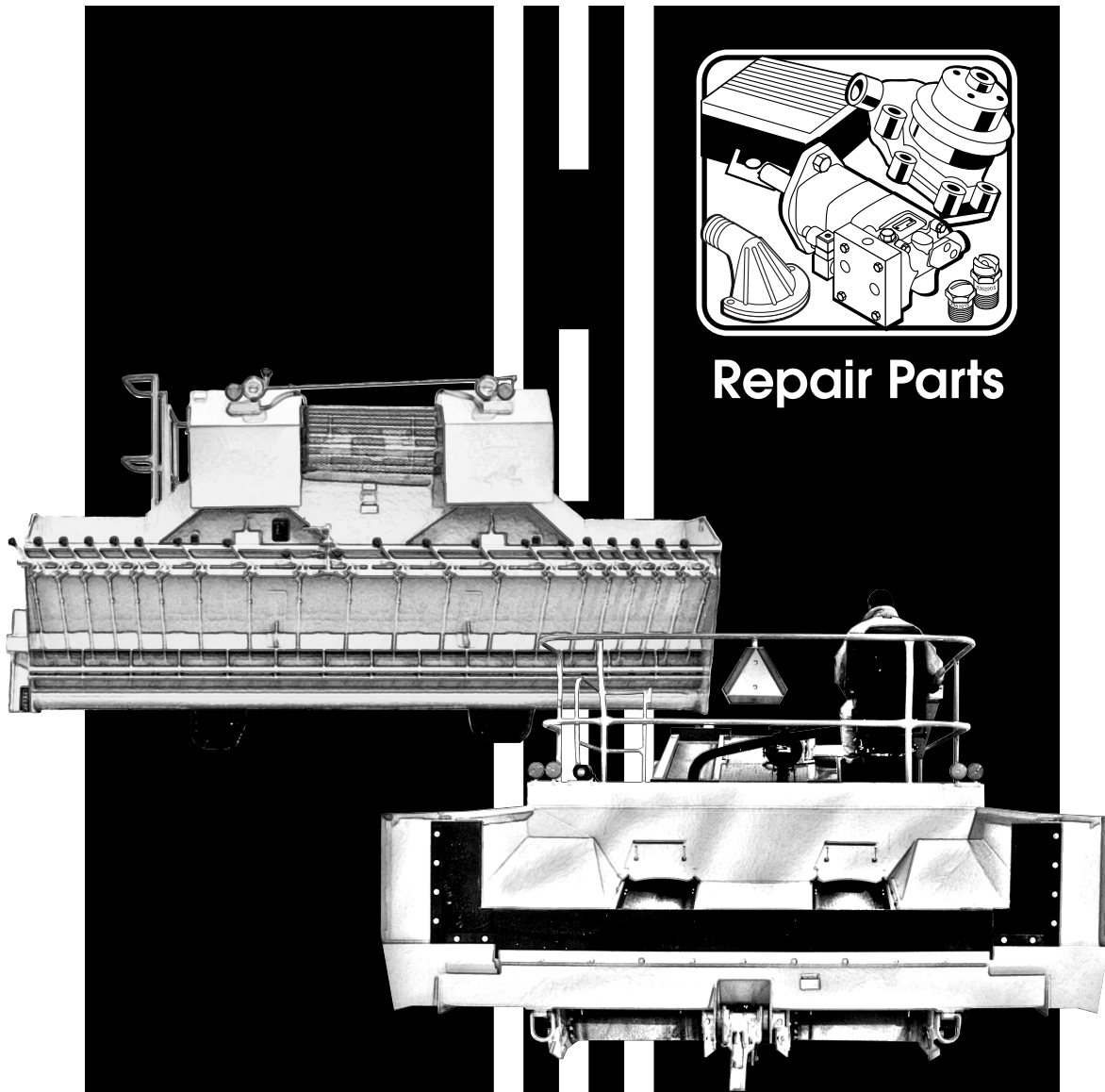


M-208-6-06
For Use With Manual M-208-04R1

Updated August 24, 2018

For Units with Cummins Tier III Engines or Kessler Axles

FIXED HOPPER Series Chipspreader



E. D. ETNYRE & CO. 1333 S. Daysville Road, Oregon, Illinois 61061

Phone: 815/732-2116 or 800/995-2116 • Fax: 800-521-1107 • www.etnyre.com

M-208-6-06

Updated August 24, 2018

FIXED HOPPER CHIPSPREADER PARTS MANUAL SUPPLEMENT

HOW TO ORDER PARTS

To assure prompt delivery when ordering parts, please furnish the following information: **1)** Complete name and address of consignee. **2)** Method of shipment preferred. **3)** Is shipment to be prepaid or collect? **4)** Serial numbers of units to which parts apply. **5)** Complete part numbers and descriptions. **6)** Any special instructions. Part numbers beginning with 9250000 are category numbers and must include descriptive term to complete the order (such as, length, color, etc.). These items when listed in the parts manual will indicate what information must be included.

Specify unit serial number when ordering parts!

WARRANTY

E.D. Etnyre & Co. warrants to the original Purchaser, its new product to be free from defects in material and workmanship for a period of twelve (12) months after date of delivery to original Purchaser. The obligation of the Company is limited to repairing or replacing any defective part returned to the Company and will not be responsible for consequential damages or any further loss by reason of such defect.

The company excludes all implied warranties of merchantability and fitness for a particular purpose. There are no warranties, express or implied, which extend beyond the description of the goods contained in this contract.

This warranty does not obligate the Company to bear the cost of machine transportation in connection with the replacement or repair of defective parts, nor does it guarantee repair or replacement of any parts on which unauthorized repairs or alterations have been made or for components not manufactured by the Company except to the extent of the warranty given by the original Manufacturer.

This warranty does not apply to:

- (1) Normal start-up services, normal maintenance services or adjustments usually performed by the selling dealer, factory service representative or customer personnel.
- (2) Any product manufactured by E.D. Etnyre & Co. purchased or subjected to rental use.
- (3) Any product or part thereof which shows improper operation, improper maintenance, abuse, neglect, damage or modification after shipment from factory.
- (4) Any product or part thereof damaged or lost in shipment. Inspection for damage should be made before acceptance or signing any delivery documents releasing responsibility of the delivering carrier.

This warranty and foregoing obligations are in lieu of all other obligations and liabilities including negligence and all warranties of merchantability or otherwise, express or implied in fact or by law.



E. D. ETNYRE & CO. , Oregon, Illinois 61061-9778

1333 S. Daysville Road Phone: 815-732-2116 or 800-995-2116

Fax: Main Office 815-732-4277 Fax: Sales and Service 815-732-7400 Fax: Parts Dept Only 800-521-1107

E Mail: sales@etnyre.com Web Site: www.etnyre.com

Reporting Safety Defects

If you believe that your vehicle has a defect which could cause a crash, injury, or death, you should immediately inform the National Highway Traffic Safety Administration (NHTSA) in addition to notifying E.D. Etnyre & Co.

If NHTSA receives similar complaints, it may open an investigation. If it finds a safety defect exists in a group of vehicles, it may order a recall and remedy campaign. However, NHTSA cannot become involved in individual problems between you, your dealer, or E.D. Etnyre & Co.

To contact NHTSA, you may call the Auto Safety Hotline toll-free at 1-800-424-9393 (or 366-0123 in the Washington, D.C. area). Or, you may write to: U.S. Department of Transportation, Washington, D.C. 20696. You may also obtain other information about motor vehicle safety from the Auto Safety Hotline.

E.D. Etnyre & Co., Oregon, Illinois 61061, Phone Area Code 815-732-2116, Cable Address "EDECO". CALIFORNIA

Proposition 65 WARNING

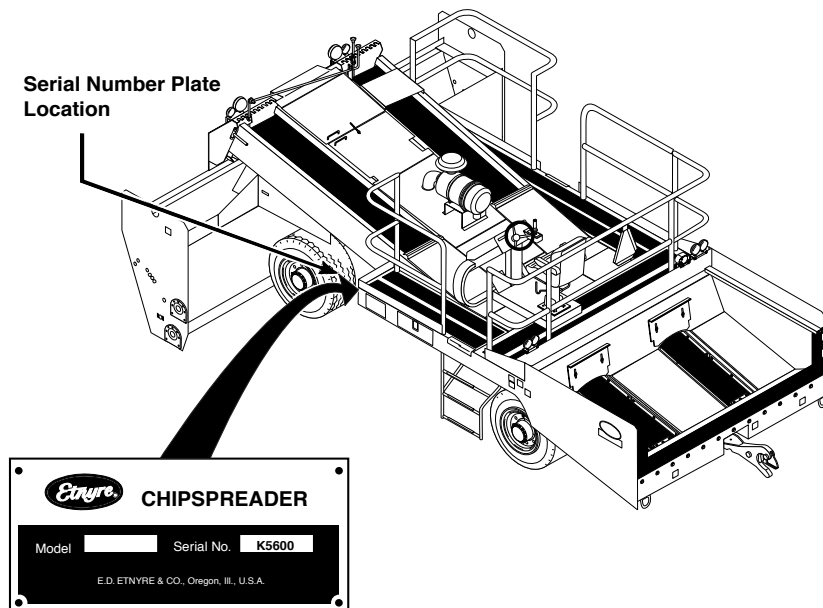
Diesel Engine exhaust and some of its constituents are known to the State of California to cause cancer, birth defects, and other reproductive harm.

Please note this warning and remember -

Always start and operate the engine in a well-ventilated area;

If in an enclosed area, vent the exhaust to the outside;

Do not modify or tamper with the exhaust system.



WARNING

Fluoroelastomer handling

Some "O" rings and seals used in this vehicle are made from fluoroelastomers. When used under design conditions, fluoroelastomers do not require special handling. However, when fluoroelastomers are heated to temperatures beyond their design temperature (around 600 degrees Fahrenheit), decomposition may occur with the formation of hydrofluoric acid. Hydrofluoric acid can be extremely corrosive to human tissue if not handled properly.

A degraded seal may appear as a charred or black sticky mass. Do not touch either the seal or the surrounding equipment without wearing neoprene or PVC gloves if degradation is suspected. Wash parts and equipment with 10% lime water (calcium hydroxide solution) to neutralize any hydrofluoric acid.

If contact with the skin occurs, wash the affected areas immediately with water. Then rub a 2.5 calcium gluconate gel into the skin until there is no further irritation, while seeking prompt medical attention.

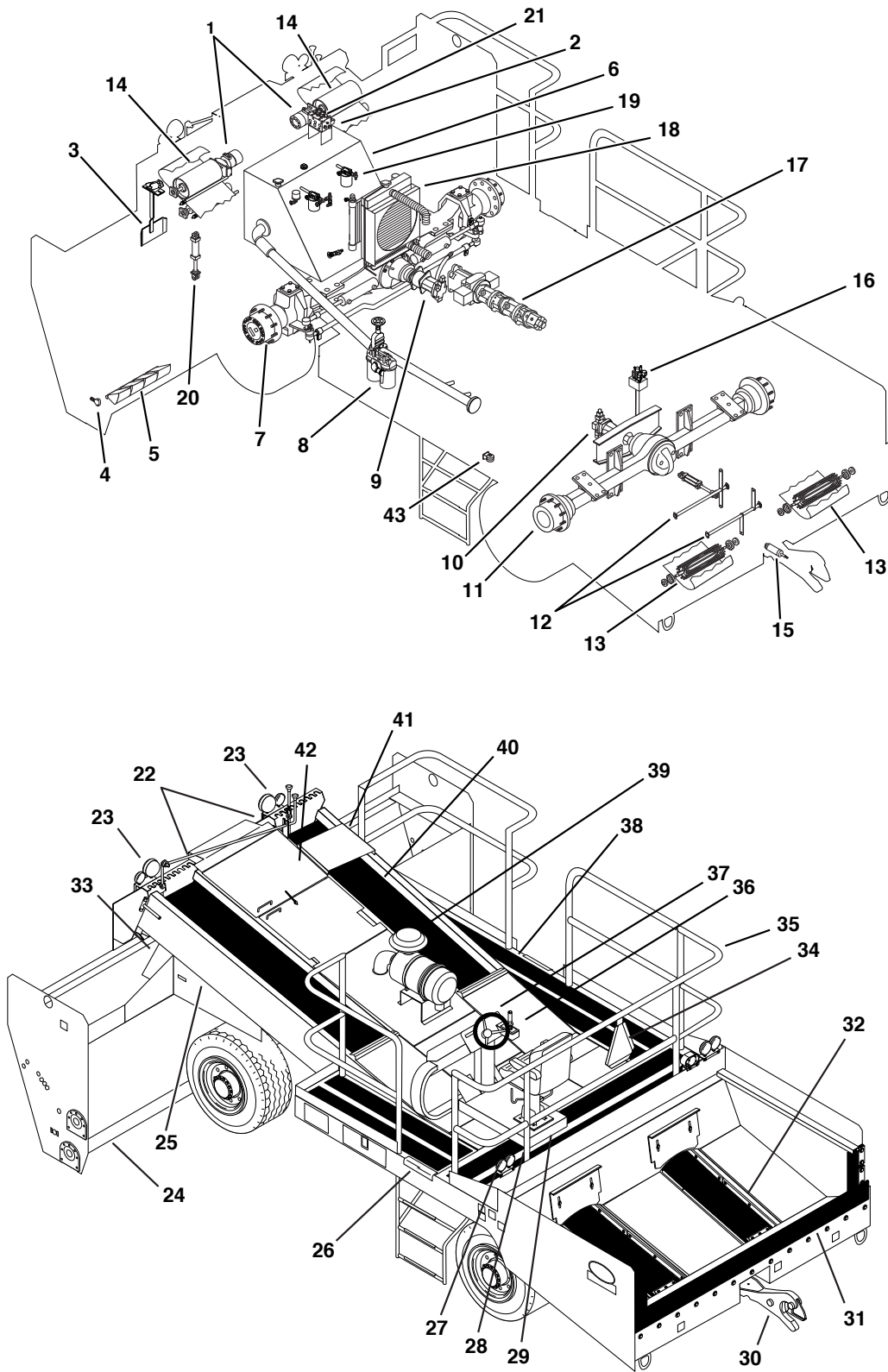
Note to physicians: For advice or treatment of HF Burns, call the DuPont Medical Emergency Number 1-800-441-3637.

This manual covers standard features and options. If your unit incorporates custom features, some of the information contained in this manual may not apply. If you have any questions regarding this manual or your unit, contact your dealer or the E. D. Etnyre Service Department at 1-800-995-2116

Table Of Contents

HOW TO ORDER PARTS	1	CONV & REAR HOPPER	
WARRANTY	1	Conveyor Arrangement - K6225 & Up	28
Reporting Safety Defects.....	2	Hopper Material Level Switch - K6230 & Up	30
Proposition 65 WARNING	2		
CONTROLS		CHASSIS	
General Identification.....	4	Carrier Assembly - Rear - Kessler	32
Control Console Assembly - S/N K6244 & Up.....	6	Carrier Assembly - Front - Kessler	33
Console/Seat Assembly- S/N K6244 & Up.....	8	Front Axle - Kessler	34
Power Seat S/N K6241 & Up.....	10	Rear Axle - Kessler.....	36
		Planetary Wheel End - Kessler.....	38
FRONT HOPPER		Engine & Conveyor Covers & Decking.....	39
Hopper Assembly	12	Handrails And Ladders	40
Hopper Air And Hydraulic Hoses	14		
Gate Assemblies.....	16	BRAKES	
		Brake Assembly - Kessler.....	41
ENGINE		Brake and Steering Hoses 4WD - Kessler	42
Air Intake Assembly - Tier III - K6244 & Up	17	Brake and Steering Hoses 2WD - Kessler	43
Radiator - Cooler - Motor Mounts and Axle Connections..	18		
		WHEELS & TIRES	
HYDRAULIC		Tires And Wheels - Kessler	44
Suction Lines	20		
Front Motor Installation.....	21	INDEX	45
Hitch - Power Steering - Brake - Rear Hopper	22		
Hydraulic Pumps And Rear Motor - 4WD - K6244 & Up...24			
Hydraulic Pumps - 2WD - K6244 & Up.....	26		

General Identification



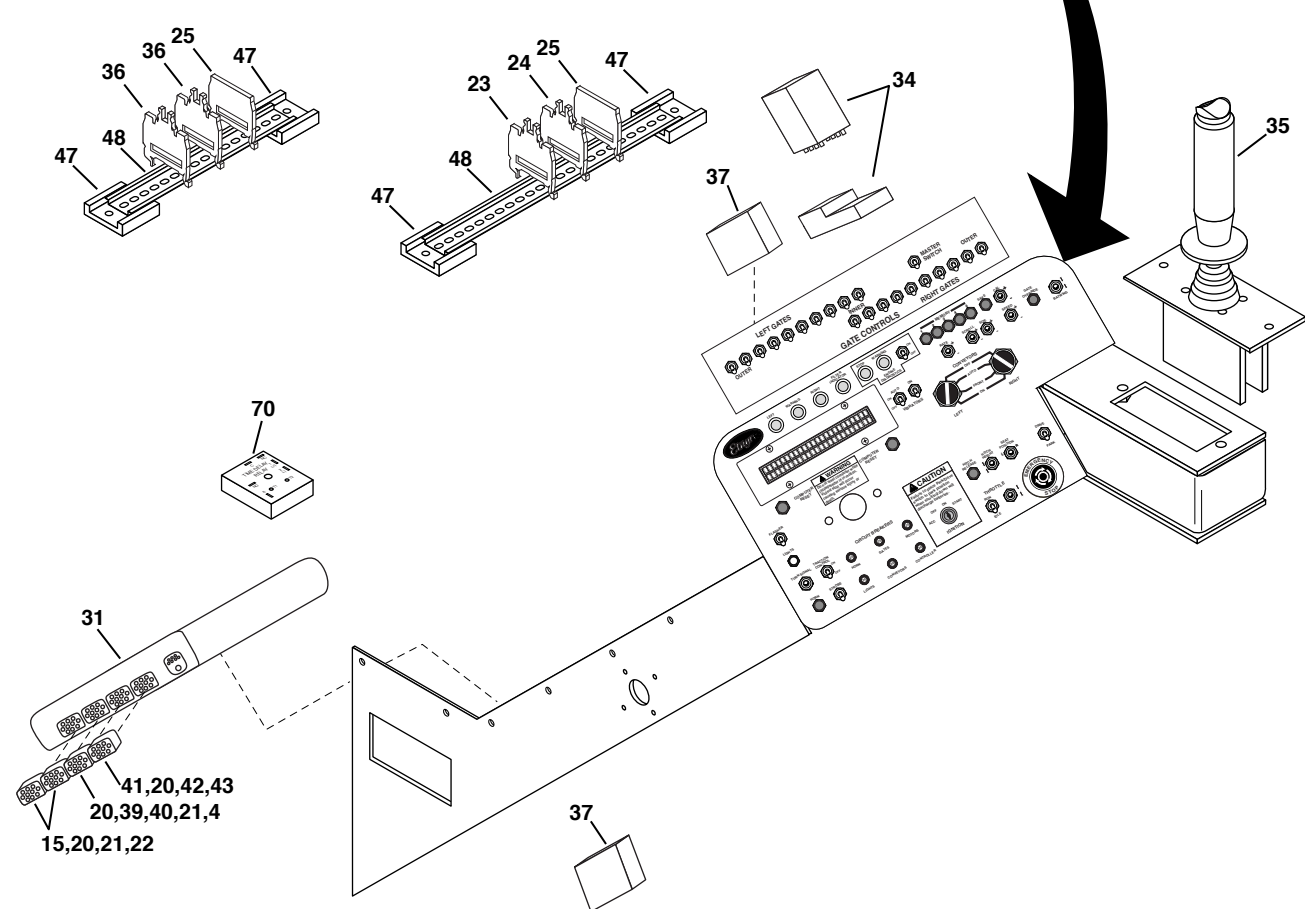
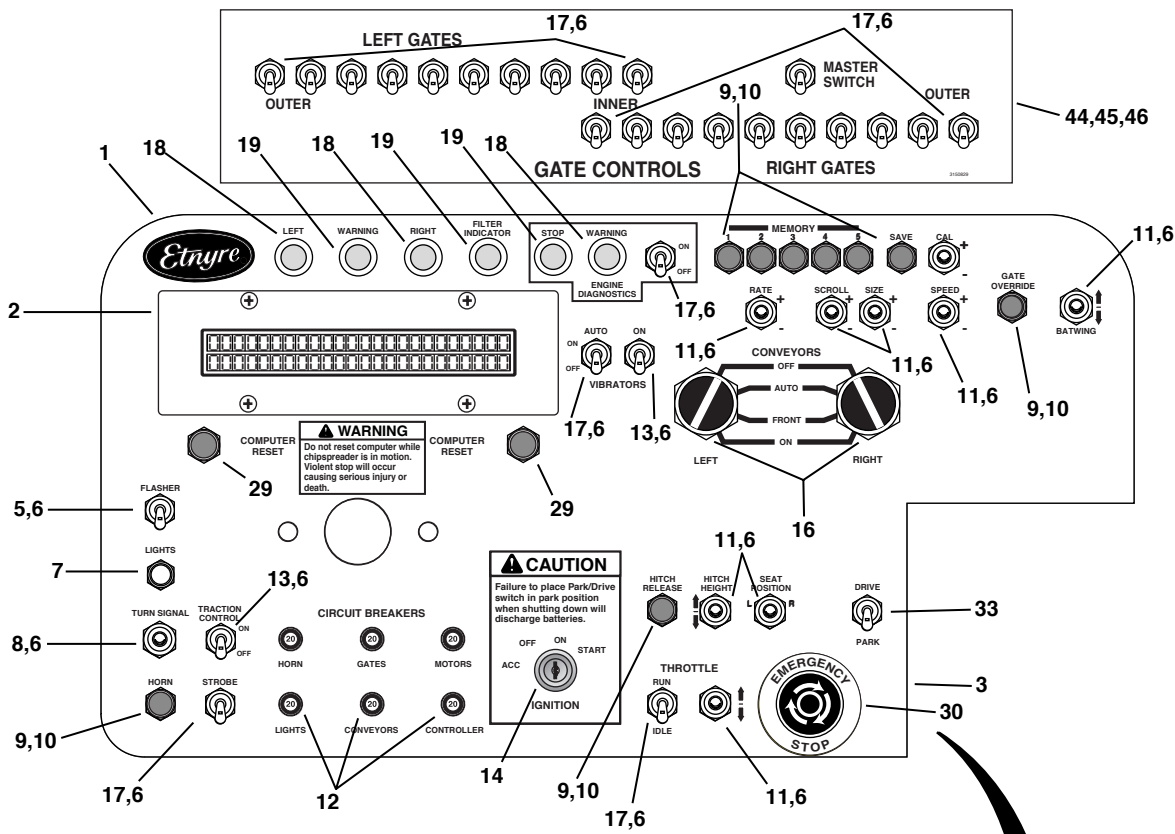
General Identification

REF	PART NO.	QTY	DESCRIPTION	REF	PART NO.	QTY	DESCRIPTION
1		2	Conveyor Drive Motors				
2		1	Powered Seat Valve				
3		2	Material Control Paddle				
4		1	Gate Transducer				
5		AR	Gates				
6		1	Hydraulic Reservoir				
7		1	Front Drive Axle				
8		2	Suction Filter				
9		1	Front Hydraulic Motor				
10		1	Rear Hydraulic Motor				
11		1	Rear Drive Axle (4WD Shown)				
12		2	Hitch Position Linkage				
13		2	Tail Pulley Asm				
14		2	Head Pulley Asm				
15		1	Hitch Release Cylinder				
16		1	Manifold-Hitch/Pwr Steer/Brake				
17		3	Hydraulic Pumps				
18		1	Radiator				
19		2	Return Filter				
20		1	Gate Actuating Cylinder				
21		1	Manifold-Conveyor/Spreadroll				
22		2	Conveyor Hood				
23		2	Head Light				
24		1	Hopper Asm				
25		2	Hopper Latch Pin				
26		2	Rough Tread Step				
27		2	Tail Light				
28		1	Back Up Alarm				
29		1	Fuel Tank				
30		1	Hitch				
31		AR	Rear Lining				
32		AR	Flashing				
33		2	Material Separator				
34		1	Slow Moving Emblem				
35		4	Handrails				
36		1	Seat Assembly				
37		1	Control Console Asm				
38		AR	Rough Tread				
39		1	Air Intake Asm				
40		2	Conveyor Belt				
41		1	Hitch Release				
42		10	Engine/Conveyor Covers/Decking				
43		1	Horn				

DECALS & ID

Control Console Assembly - S/N K6244 & Up

CONTROLS



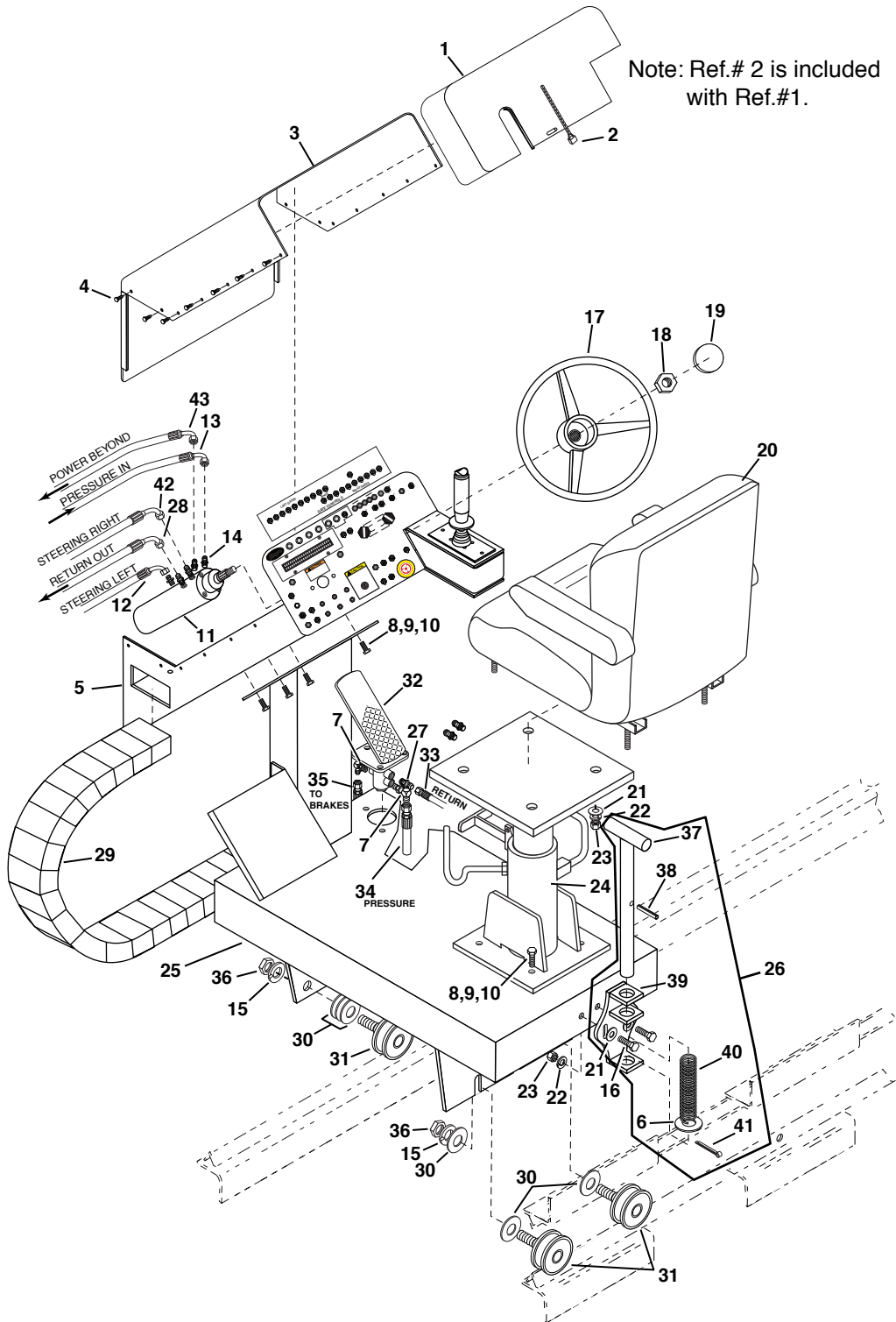
Control Console Assembly - S/N K6244 & Up

REF	PART NO.	QTY	DESCRIPTION	REF	PART NO.	QTY	DESCRIPTION
1	3150834	1	Overlay-Control Panel,Fixed	37	6700921	1	Flasher-12 Volt,Neg. Ground
2	6703687	1	Display-2 x 24 Char	38	6703386	AR	Markers-0/100 Gnd Term (Not Shown)
	5430025	1	Harness-Display/Computer	39	6702544	1	Conn-20 Pin Socket
	3370465	1	Harness-Jumper, Display	40	6702548	1	Strain Relief-Conn.,20 Pin
	7050500	1	Replacement Kit for Display 6703069	41	6702543	1	Connector- 15 Pin Socket
3	6703093	1	Cigarette Lighter-12V	42	6702547	1	Strain Relief-Conn.,15 Pin
4	6701540	1	Resistor-1000 Ohm,1/2 Watt	43	6702550	1	Grommet-Connector,15 Pin
5	6700772	1	Switch-Toggle,DPST,2 Pos,Maint.	44	3150833	1	Gate Control Box-Fixed
6	6703277	AR	Seal-Armored Toggle Boot	45	6703299	1	Cord Grip-Fitting,0.75 x 0.75
7	6700188	1	Switch-Push/Pull	46	6001601	2	Isolator-Vibration,w/Stud
8	6700771	1	Switch-Toggle,SPDT,3 Pos,Maint.	47	3160828	4	Mount-DIN Rail
9	6701467	9	Switch-Push Button,Mom,N.O.	48	6703390	1	DIN Rail, 1 Meter
10	6701468	9	Seal-Push Button,1.68 x 0.62 Bush	49	3160669	1	Harness-Pumps & Motors (Not Shown)
11	6700161	10	Switch-Toggle,SPDT,MOM	50	3160670	1	Harness-Speed Sensor (Not Shown)
12	6703139	6	Circuit Breaker-20 Amp	51	3160671	1	Harness-Lt Rear Lights (Not Shown)
	6703153	6	Seal-Pushbutton, Clear	52	3160840	1	Harness-Oil Pressure & Tach (Not Shown)
13	6703100	2	Switch-Toggle,2 Pos,DPDT,Mom	53	3160677	1	Harness-Rt Headlights (Not Shown)
14	6702028	1	Switch-Ign,Off,Ign,Start	54	3160678	1	Harness-Lt Headlights (Not Shown)
15	6702545	2	Connector-24 Pin Socket HS	55	3160679	1	Harness-Rt Rear Lights (Not Shown)
16	6702483	4	Switch-Rotary,4 Pos.,8 Contact	56	3160702	1	Harness-Front Controls (Not Shown)
17	6702241	AR	Switch-Toggle,SPST,2 Pos,Maint.	57	3160722	1	Harness-Hitch Block (Not Shown)
18	6703502	3	Light-Pilot,Amber,No. PL-20	58	3160732	1	Harness-Conveyors (Not Shown)
19	6703503	3	Light-Pilot,Red,No. PL-20	59	3160820	2	Harness-Hopper Functions (Not Shown)
20	6702546	AR	Contact-Socket,18-26 AWG	60	3160756	1	Harness-Gate Valve/Sp Roll (Not Shown)
21	6702549	2	Strain Relief-Conn.,24 Pin	61	3160793	1	Harness-10' Hopper Gates (Not Shown)
22	6702551	3	Grommet-Conn.,20-24 PI	62	3160794	1	Harness-11' Hopper Gates (Not Shown)
23	6703379	AR	Terminal Block-16/22 Ga	63	3160795	1	Harness-12' Hopper Gates (Not Shown)
24	6703380	AR	Terminal Block-14/16 Ga	64	3160754	1	Harness-13' Hopper Gates (Not Shown)
25	6703381	AR	End Cap	65	3160758	1	Harness-14' Hopper Gates (Not Shown)
26	6703385	1	Markers-0/100 (Not Shown)	66	3160792	1	Harness-15' Hopper Gates (Not Shown)
27	6703387	4	End Clamp (Not Shown)	67	3160840	1	Harness-Engine Diagnostics (Not Shown)
28	3160843	1	Harness-Power,Outside	68	3160843	1	Harness-Power Cable (Not Shown)
29	6703571	2	Switch-Pushbutton,N.C.,Mom	69	3160840	1	Harness-Engine Controls (Not Shown)
30	6703408	1	Emergency Stop Switch	70	6703722	1	Relay-Time Delay,Conveyor
31	3160823	1	Computer-Chip,2WD,Kessler				
	3160824	1	Computer-Chip,4WD,Kessler				AR - As Required
	7050159	1	Fuse Holder-Inline				
	7050158	1	Fuse-Inline,20A				
32	6702024	1	Alarm-Elec,Hydro (Not Shown)				
33	6703274	1	Switch-Tgl,PTO,Lock Off,2 Pos				
34	6703300	AR	Relay-4PDT				
	6703301	AR	Relay Base				
	6703395	1	Jumper Bar-Ground				
35	3160655	1	Controller-Joystick				
	7050149		Position Microswitch				
	7050150		Potentiometer,10K				
	PD10434		Rocker Microswitch				
	PD10411		Rocker Switch Boot				
	PD10412		Rocker Switch Ring				
	7050157		Shaft Boot				
	PD10267		Handle Shaft				
36	6703382	1	Terminal Block-Gnd, 4 ga				
	6703383	AR	Terminal Block-16/22 ga				

CONTROLS

Console/Seat Assembly- S/N K6244 & Up

CONTROLS



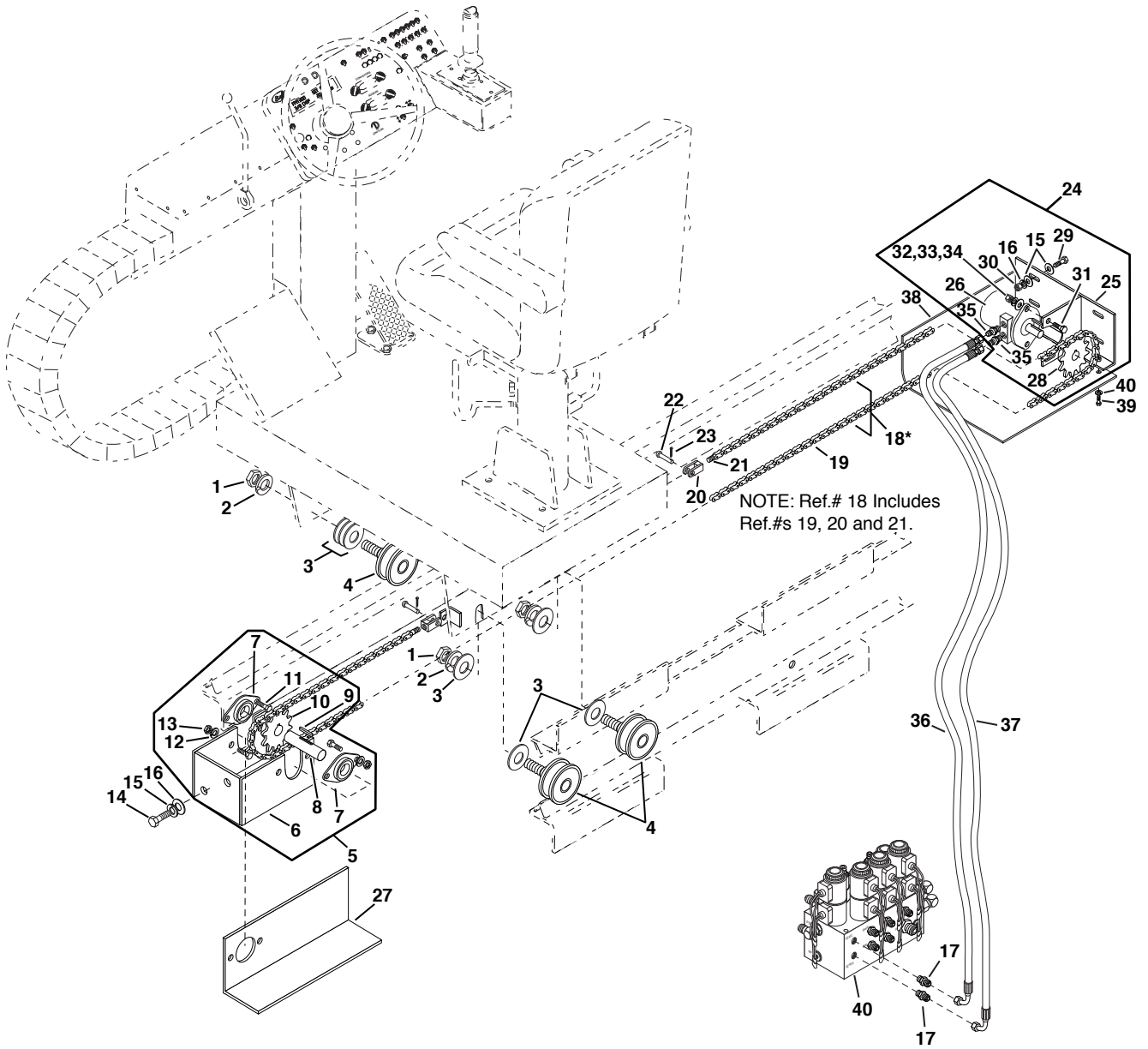
Console/Seat Assembly- S/N K6244 & Up

REF	PART NO.	QTY	DESCRIPTION	REF	PART NO.	QTY	DESCRIPTION
1	3150812	1	Cover Asm-Driver Control Panel	33	3181247	1	Hose Asm-04 x 244,04FJX90-04FJX
2	6000544	1	Padlk-Mstr. Lk,W/Chain & Key	34	3181440	1	Hose Asm-06 x 153,06FJX-06FJX
3	3120953	1	Cover-Operator Station Console	35	3181241	1	Hose Asm-06 x 162,06FJX-06FJX
4	6100174	10	Screw-Tap,HXSL,0.25 x 0.75,B,PD	36	0426099	4	Nut-Hex,0.75NF,PD
5	3121014	1	Lower Control Panel Asm	37	3150760	1	Pin Asm,Hitch,Seat,CS,Hydro
6	0103347	1	Washer-Flat,0.88A(0.94 x 1.00)	38	0457008	1	Pin-Spring,0.19 x 1.50,HV,PN
7	9410976	2	Elbow-Hyd,90,06MB-06MJ	39	3150823	1	Retainer Asm,Latch
8	0120233	10	Screw-Hex,0.38NC x 1.00,GR2,PD	40	3150764	1	Spring,Comp,Pin,Hitch
9	0120382	10	Washer-Lock,0.38,Spring,PD	41	0103411	1	Pin-Cotter,0.19 x 2.00,PD
10	0120377	10	Nut-Hex,0.38NC,PD	42	3181450	1	Hose Asm-06 x 204,06FJX-06FJX90
11	6603507	1	Steering Unit-Eaton	43	3181451	1	Hose Asm-06 x 144,06FJX-06FJX90
	7051382	1	Seal Kit				
12	3181436	1	Hose Asm-06 x 204,06FJX-06FJX90				AR - As Required
13	3181439	1	Hose Asm-06 x 138,06FJX-06FJX90				
14	6602133	5	Adapter-Hyd,ST,08MB-06MJ				
15	0131046	4	Washer-Lock,0.75,Spring, PD				
16	0122017	4	Screw-Hex,0.31NC x 1.00,GR2,PD				
17	6601704	1	Wheel-Steering W/Hub,15" Dia.				
18	6601122	1	Nut-Steering Wheel,13/16-20UNEF				
19	6001054	1	Cap-Steering Wheel				
20	6001148	1	Seat Asm-Trimline w/Arm Rests				
	7215236	1	Arm Rest -Left				
	7215237	1	Arm Rest -Right				
	6001423	1	Seat Asm-Suspension w/Arm Rests				
	7050391	1	Shock-For Seat #6001423				
21	0446363	6	Washer-Flat,0.31A(0.38 x 0.88), PD				
22	0120214	6	Washer-Lock,0.31,Spring,PD				
23	0120376	6	Nut-Hex,0.31NC,PD				
24	6001079	1	Pedestal-Seat,for 6001148 Seat				
	3102095	1	Pedestal-Seat,for 6001423 Seat				
25	3120964	1	Seat Base Asm				
26	3150824	1	Latch Asm,Seat				
27	6602134	1	Adapter-Hyd,ST,06MB-04MJ				
28	3181445	1	Hose Asm-06x141,06FJX-06FJX90				
29	6603378	1	E-Chain, Enclosed,7.5 Ft. Long				
	7050413	AR	E-Chain Hinged Cover Piece				
	7050414	AR	E-Chain Non-Hinged Cover				
	7050415	AR	E-Chain LH Side Piece				
	7050416	AR	E-Chain RH Side Piece				
	7050410	1	E-Chain Mounting Kit				
	7050411	1	E-Chain Male Mount				
	7050412	1	E-Chain Female Mount				
	7050417	AR	Replacement E-Chain/per Foot				
30	0131000	11	Washer-Flat,0.75A(0.81 x 2.00),PD				
31	6435459	4	Roller-V Grooved Load Runner				
32	6602603	1	Valve-Brake Actuating W/Pedal				
	7430261	1	Seal Kit				
	7430260	1	Pedal				
	7430259	1	Cam				
	7430258	1	Pin				
	7430257	4	E-Ring				
	7430256	1	Pin				
	7430255	1	Base				
	7430254	2	Cap Screw				
	7430253	2	Washer				

CONTROLS

Power Seat S/N K6241 & Up

CONTROLS



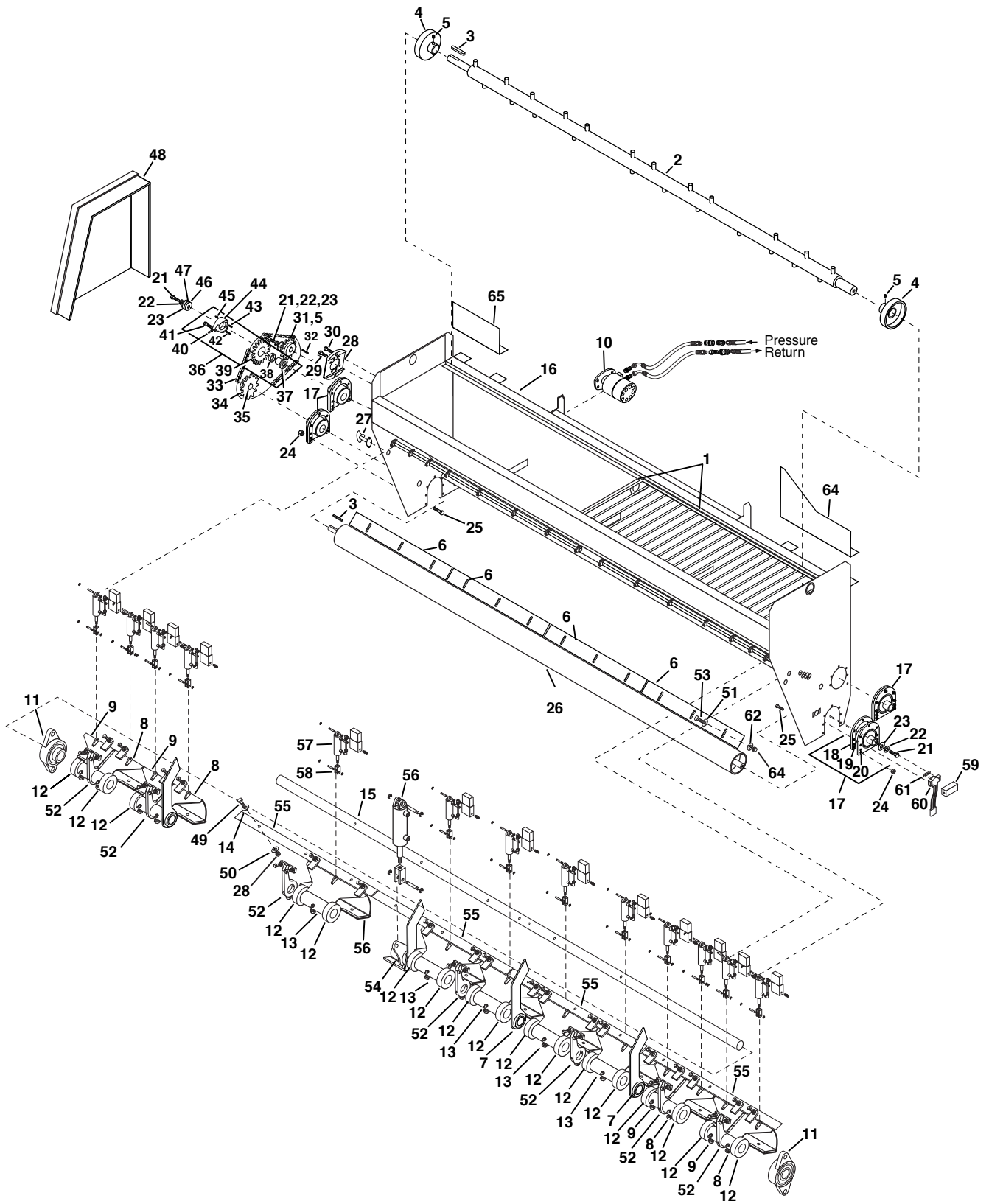
Power Seat S/N K6241 & Up

REF	PART NO.	QTY	DESCRIPTION	REF	PART NO.	QTY	DESCRIPTION
1	0426099	4	Nut-Hex,0.75NF,PD				
2	0131046	4	Washer-Lock,0.75,Spring,PD				
3	0131000	10	Washer-Flat,0.75A(0.81 x 2.00),PD				
4	6435459	4	Roller-V Grooved Load Runner				
5	3102305	1	Bracket Asm-Idler,Power				
6	3102304	1	Idler Shaft Support Asm				
7	6420105	4	Flange Brg-Ball,2 Blt.0.75STMP				
8	3101987	1	Idler Shaft-Power Seat				
9	6000207	3	Key-0.19 x 0.19CR x 1.00 Rd End				
10	3102022	2	Sprocket-0.75 Bore				
11	6100277	4	Screw-RdSqNk, 0.31NC x 1.00,GR5				
12	0120214	4	Washer-Lock,0.31,Spring,PD				
13	0120376	4	Nut-Hex,0.31NC,PD				
14	0120233	2	Screw-Hex,0.38 x 1.00,GR2,PD				
15	0120388	6	Washer-Flat,0.375,Wide				
16	0120382	6	Washer-Lock,0.38,Spring,PD				
17	9410200	2	Adapter-Hyd,04MB-04MJ				
18	3102308	1	Roller Chain Asm-Long				
19	6430077	AR	Chain-Roller,RC40				
	6430070	2	Link-Conn.RC40				
20	3350232	2	Female End-Adjustable Chain				
21	3350231	2	Male End-Adjustable Chain				
22	6000397	2	Rivet-RdHd,0.25 x 0.88,Drilled				
23	0103374	2	Pin-Cotter,0.09 x 1.00,PD				
24	3102307	1	Motor Mt Asm-Power Seat				
25	3120979	1	Motor Mtg. Bracket Chip Seat				
26	6602796	1	Motor-Hyd,LSHT,3.6 Cu In.				
27	3120978	1	Cover-Idler				
28	3102068	1	Sprocket-RC40,20T,1" Bore				
29	0122145	4	Screw-Hex,0.38NC x 1.25,GR2,PD				
30	0120377	6	Nut-Hex,0.38NC,PD				
31	0120426	2	Screw-Hex,0.50NC x 1.25,GR2,PD				
32	0120390	2	Washer-Flat,0.50A,PD				
33	0120384	2	Washer-Lock,0.50,Spring,PD				
34	0120378	2	Nut-Hex,0.50NC,PD				
35	6602860	2	Adapter-Hyd,ST,10MB-04MJ				
36	3181717	1	Hose Asm-04 x 71,04FJX-04FJX90				
37	3181716	1	Hose Asm-04 x 72,04FJX-04FJX90				
38	3120981	1	Cover-Pwr Seat Motor				
39	0120706	2	Screw-Hex,0.25NC x 0.50,GR2,PD				
40	3181708	1	Hyd Manifold				

AR - As Required

CONTROLS

Hopper Assembly



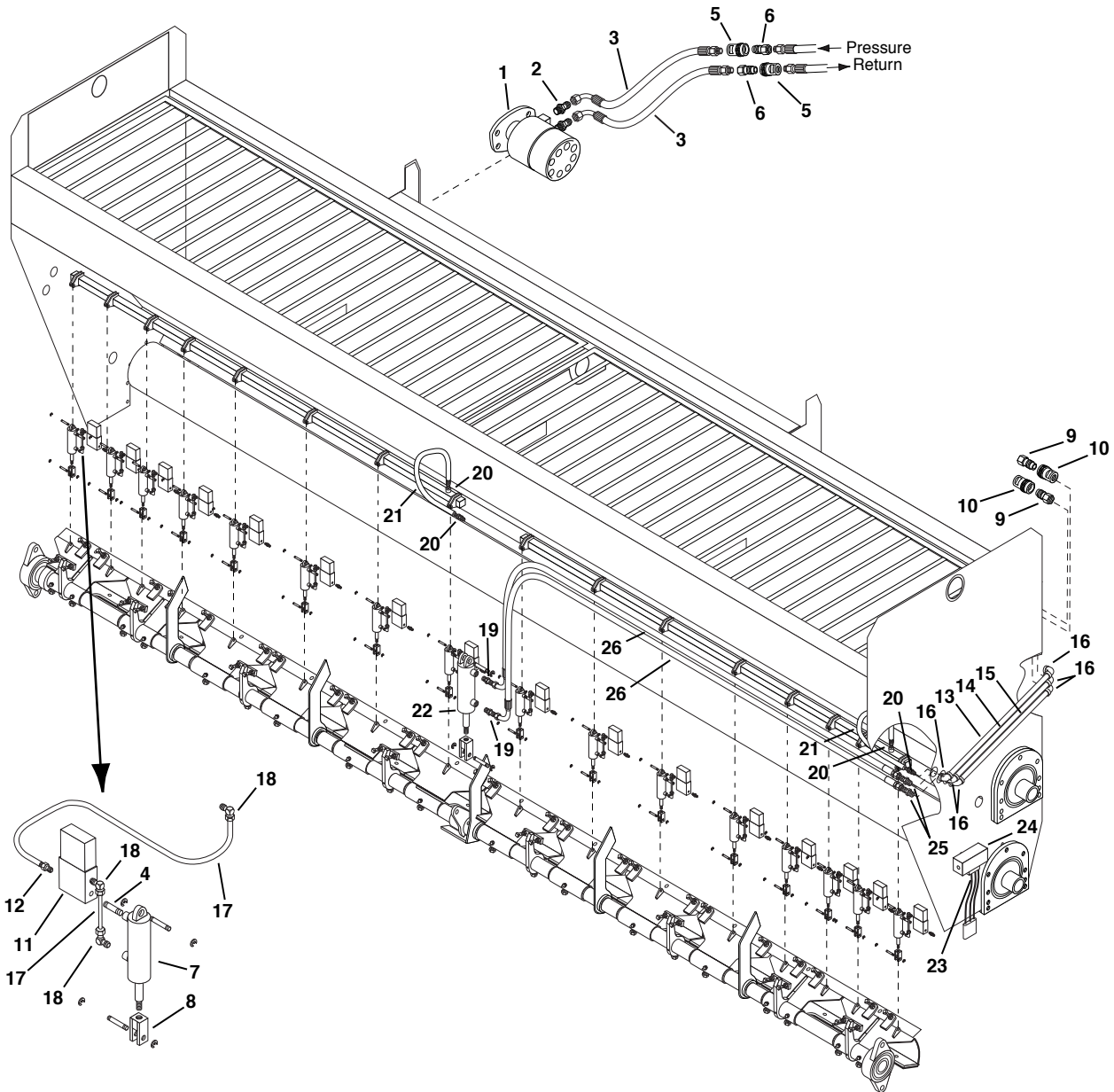
FRONT HOPPER

Hopper Assembly

REF	PART NO.	QTY	DESCRIPTION	REF	PART NO.	QTY	DESCRIPTION
1	3142468	2	Grate Assy-10 Ft	34	3140249	1	Sprocket-Hyd Dr. No. 80QZZ
	3142469	2	Grate Assy-11 Ft	35	3110054	1	Bushing, No. Q1, 9/16 In.
	3142470	2	Grate Assy-12 Ft	36	3140243	1	Agitator Shaft Discon. Dr. Asm
	3142471	2	Grate Assy-13 Ft	37	3140244	1	Housing-Male Disc.
	3142472	2	Grate Assy-14 Ft	38	3140247	1	Bearing-Ag Shaft Disc.
2	3142603	1	Agitator Asm-10 Ft	39	3140246	1	Sprocket-Ag Shaft Disc.
	3142602	1	Agitator Asm-11 Ft	40	0223022	1	Screw-Sock, 1/4NC x 5/8,HFDG,PN
	3142601	1	Agitator Asm-12 Ft	41	3140248	1	Bolt-Ag Shaft Disc
	3142600	1	Agitator Asm-13 Ft	42	6001500	1	Key-3/8 x 3/8CR x 2 1/4 Rd End
	3142589	1	Agitator Asm-14 Ft	43	6001501	1	Key-3/8 x 3/8CR x 1 3/8 Rd End
3	3170061	2	Key-3/8 x 3/8CR x 2,Rd End	44	3140245	1	Housing-Female Disc.
4	3141190	2	Housing Asm-Bell	45	9411027	1	Fitting-Lub,Stgt. x 1/2 TYP C
5	0102582	4	Screw-Sock,5/16NC x 1/2, Cup, PN	46	3140401	AR	Spacer 1/16 In.,Hopper
6	3142366	AR	Plate-Wear,Spread Roll,24 1/2	47	3140402	AR	Spacer 1/8 In.,Hopper
	3142317	AR	Plate-Wear,Spread Roll,36 1/4	48	3140645	1	Door & Side Asm-Chain Guard
7	6420223	AR	Bearing-Shaft Pivot	49	0122007	AR	Screw-Hex,5/16NC x 3/4,Gr 2,PD
8	3142779	4	Gate Asm-RH,6"	50	0120214	AR	Washer-Lock,5/16,Spring,PD
9	3142780	4	Gate Asm-LH,6"	51	0120388	AR	Washer-Flat,3/8,Wide
10	6602645	1	Motor-Hyd,LSHT,12.0 Cir	52	3142782	8	Buss Arm Asm
	6600883	1	Motor-Hyd,LSHT,18.0 Cir w/Sand Agit	53	0120377	AR	Nut-Hex,3/8NC,PD
11	6420225	2	Brg-Flange,Ball,2 Bolt, 1 1/2	54	3142798	1	Arm Asm-Hydr Cyl Mount
12	6420224	AR	Set Collar-1 1/2	55	3142365	AR	Plate-Adjust,Seal Gate,24 1/2
13	3142774	AR	Gate Asm-12"		3142316	AR	Plate-Adjust,Seal Gate,36 3/4
14	0446363	AR	Washer-Flat,5/16,Wide	56	6603333	1	Cylinder-Hyd,2" B x 3" Stroke
15	3142790	1	Shaft-Buss,10 Ft,Keyed	57	6603150	AR	Cylinder-Air,1 1/16" B x 4" Stroke
	3142791	1	Shaft-Buss,11 Ft,Keyed	58	6602339	AR	Clevis-Rod,Air Cylinder
	3142792	1	Shaft-Buss,12 Ft,Keyed	59	3142397	1	Guard-Transducer
	3142793	1	Shaft-Buss,13 Ft,Keyed	60	6703101	1	Transducer
	3142794	1	Shaft-Buss,14 Ft,Keyed	61	3142167	1	Transducer Arm
16	3142624	1	Frame Asm-Hopper,10 Ft	62	0120383	AR	Washer-Lock,3/8,Spring,PD
	3142625	1	Frame Asm-Hopper,11 Ft	63	0120233	AR	Screw-Hex,3/8NC x 1,Gr 2,PD
	3142626	1	Frame Asm-Hopper,12 Ft	64	3142501	1	Spill Guard-10 Ft,LH
	3142627	1	Frame Asm-Hopper,13 Ft		3142503	1	Spill Guard-11 Ft,LH
	3142628	1	Frame Asm-Hopper,14 Ft		3142505	1	Spill Guard-12 Ft,LH
17	3142547	4	Brg/Housing Assy-Hopper		3142507	1	Spill Guard-13 Ft,LH
18	3142549	4	Plate-Spacer,Bearing Housing		3142509	1	Spill Guard-14 Ft,LH
19	3140083	4	Bearing-Ag & Roll SC-25	65	3142502	1	Spill Guard-10 Ft,RH
20	3142548	4	Housing Asm-Bearing		3142504	1	Spill Guard-11 Ft,RH
21	0122408	2	Screw-Hex,1/2NC x 1,GR2,PD		3142506	1	Spill Guard-12 Ft,RH
22	0120384	3	Washer-Lock,1/2,Spring,PD		3142508	1	Spill Guard-13 Ft,RH
23	3140404	2	Disc-Shaft End Hopper		3142510	1	Spill Guard-14 Ft,RH
24	0120377	24	Nut-Hex, 3/8NC, PD				AR - As Required
25	0122145	24	Screw-Hex, 3/8NC x 1 1/4 GR2, PD				
26	3142610	1	Spreadroll Asm-10 Ft				
	3142609	1	Spreadroll Asm-11 Ft				
	3142608	1	Spreadroll Asm-12 Ft				
	3142606	1	Spreadroll Asm-13 Ft				
	3142587	1	Spreadroll Asm-14 Ft				
27	3100566	1	Hood Fastener-Straight 9663				
28	0120376	AR	Nut-Hex,5/16NC,PD				
29	0120333	4	Screw-Hex,1/2NC x 1 3/4,GR2				
30	0122459	2	Screw-Hex, 1/2NC x 2,GR2,PD				
31	3140596	1	Sprocket-Hyd Motor, Hopper				
32	3110033	1	Key-3/8 x 3/8CR x 1 1/4 Rd End				
33	3142637	1	Chain-Roller, No. 80, 49 Link				

FRONT HOPPER

Hopper Air And Hydraulic Hoses



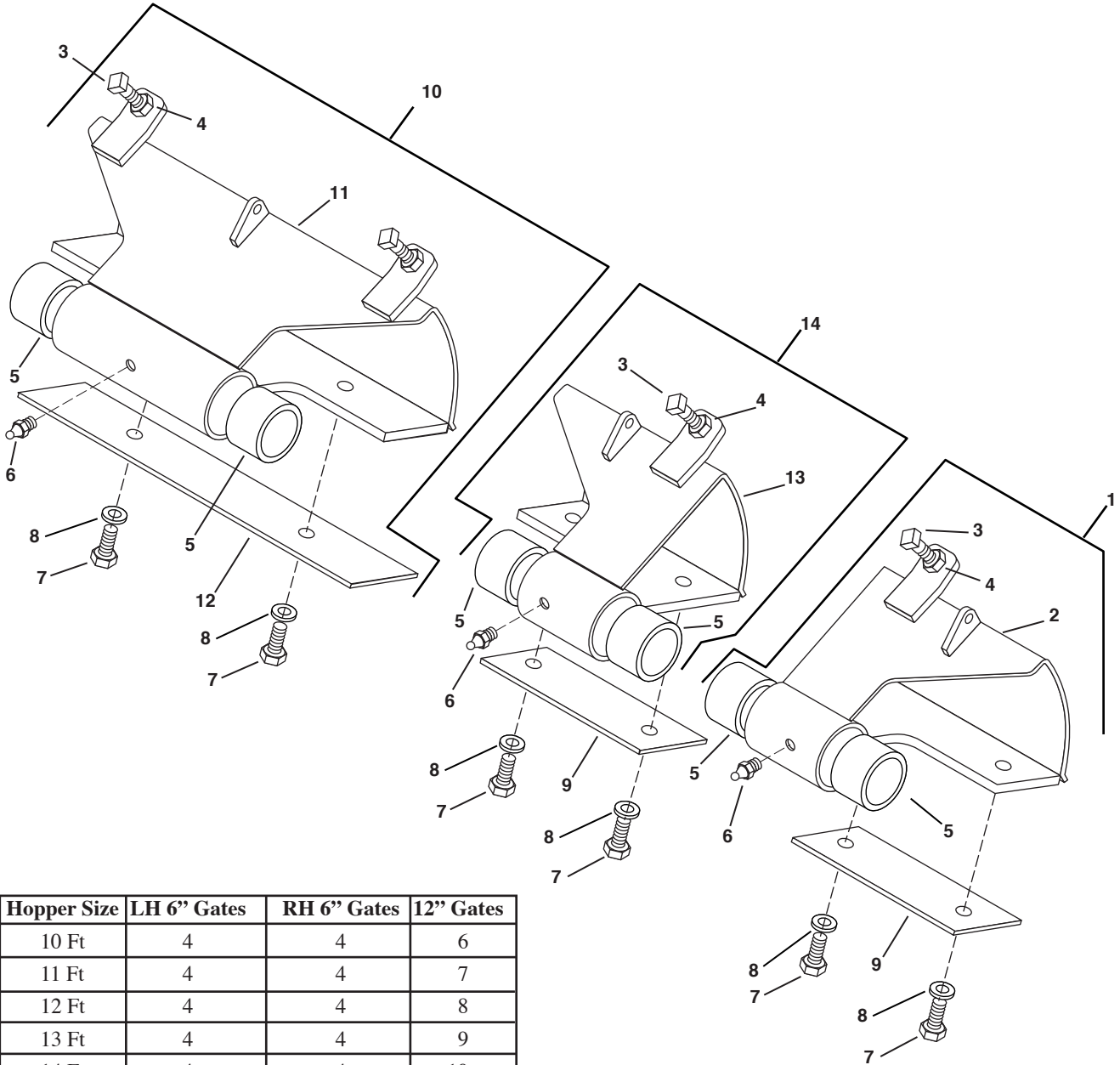
FRONT HOPPER

Hopper Air And Hydraulic Hoses

REF	PART NO.	QTY	DESCRIPTION	REF	PART NO.	QTY	DESCRIPTION
1	6602645	1	Motor-Hyd, LSHT, 12.0 CIR				
2	6600910	2	Adapter-Hyd,ST,10MB-12MJ				
3	3181635	1	Hose Asm-12 x 30,08MPX-08FJX90				
4	0192042	AR	Nipple-Pipe,Sch 40,1/8 x 1 1/2				
5	6602299	2	Coupling-Hyd.Quick,Fem,1/2 Pipe				
6	6602300	2	Coupling-Hyd.Quick,Male,1/2 Pipe				
7	6603150	AR	Cylinder-Air,1 1/16 x 4,Double Acting				
8	6602339	AR	Clevis-Rod,Cyl				
9	6602293	2	Coupling-Hyd.Quick,Male,1/4 Pipe				
10	6602292	2	Coupling-Hyd.Quick,Fem,1/4 Pipe				
11	6602901	AR	Valve-Air,Sol,1/4,4 Way,2 Pos				
12	6602904	AR	Adapter-Air,St,04Tube-02MPX				
13	3102164	1	Pipe-Air,1/4 x 23 1/2 TBE				
14	3102165	1	Pipe-Hydr,1/4 x 22 1/2 TBE				
15	3102166	1	Pipe-Hydr,1/4 x 21 TBE				
16	0105413	6	Elbow-Pipe,90,1/4 NPT,PN				
17	Q444884	AR	Tube-Nylon,Air,1/4				
18	6602903	AR	Adapter-Air,90,04Tube-02MPX				
19	6602134	2	Adapter-Hyd,St,06MP-04MJ				
20	6600305	4	Hose End-06-04MP,St,LPSP				
21	6600324	AR	Hose-Air,3/8				
22	6603333	1	Cylinder-Hyd,2" Bore x 3" Stroke				
23	6703101	1	Transducer				
24	3142397	1	Transducer Cover				
25	6601381	2	Adapter-Hyd,St,04MP-04MJ				
26	3181643	1	Hose Asm-04 x76.5,04FJX x 04FJX90				
			AR - As Required				

FRONT HOPPER

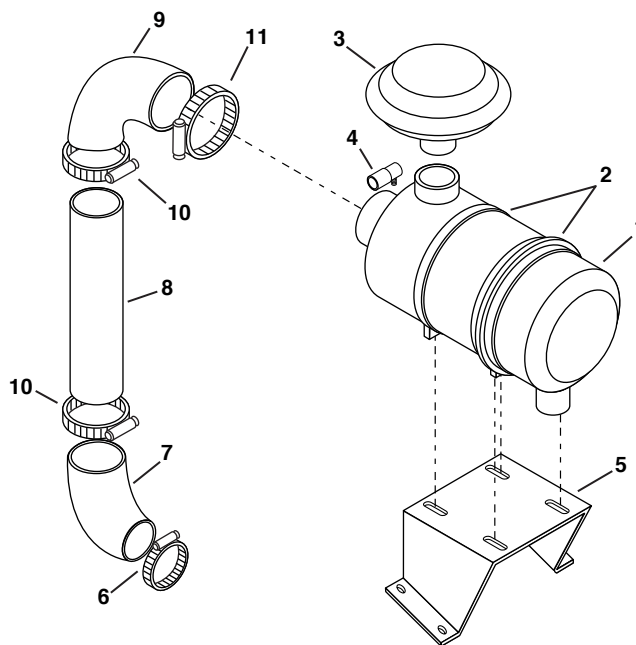
Gate Assemblies



Hopper Size	LH 6" Gates	RH 6" Gates	12" Gates
10 Ft	4	4	6
11 Ft	4	4	7
12 Ft	4	4	8
13 Ft	4	4	9
14 Ft	4	4	10

REF	PART NO.	QTY	DESCRIPTION	REF	PART NO.	QTY	DESCRIPTION
1	3142779	4	Gate Asm-6 In. Right Hand	10	3142774	AR	Gate Asm-12 In. Hopper
2	3142777	4	Frame Asm-Gate 6 In. Right Hand	11	3142772	1	Frame Asm-Gate 12 In. Hopper
3	0187870	AR	Screw-SqHd, 0.38NC x 2.00, Cup, PD	12	3142297	1	Scraper Plate, 12 In.
4	0120377	AR	Nut-Hex, 0.38NC, PD	13	3142778	4	Frame Asm-Gate 6 In. Left Hand
5	6420222	AR	Bearing-Gate, Pivot, @AA-1612-1	14	3142780	4	Gate Asm-6 In. Left Hand
6	9411027	1	Fitting-Lub, STGT x 1/2				
7	3100475	AR	Capscrew-Hex 3/8-16 x 3/4 Lg.				
8	0120388	AR	Washer-Flat, 3/8, Wide				
9	3142486	8	Scraper Plate, 6 In.				

Air Intake Assembly - Tier III - K6244 & Up

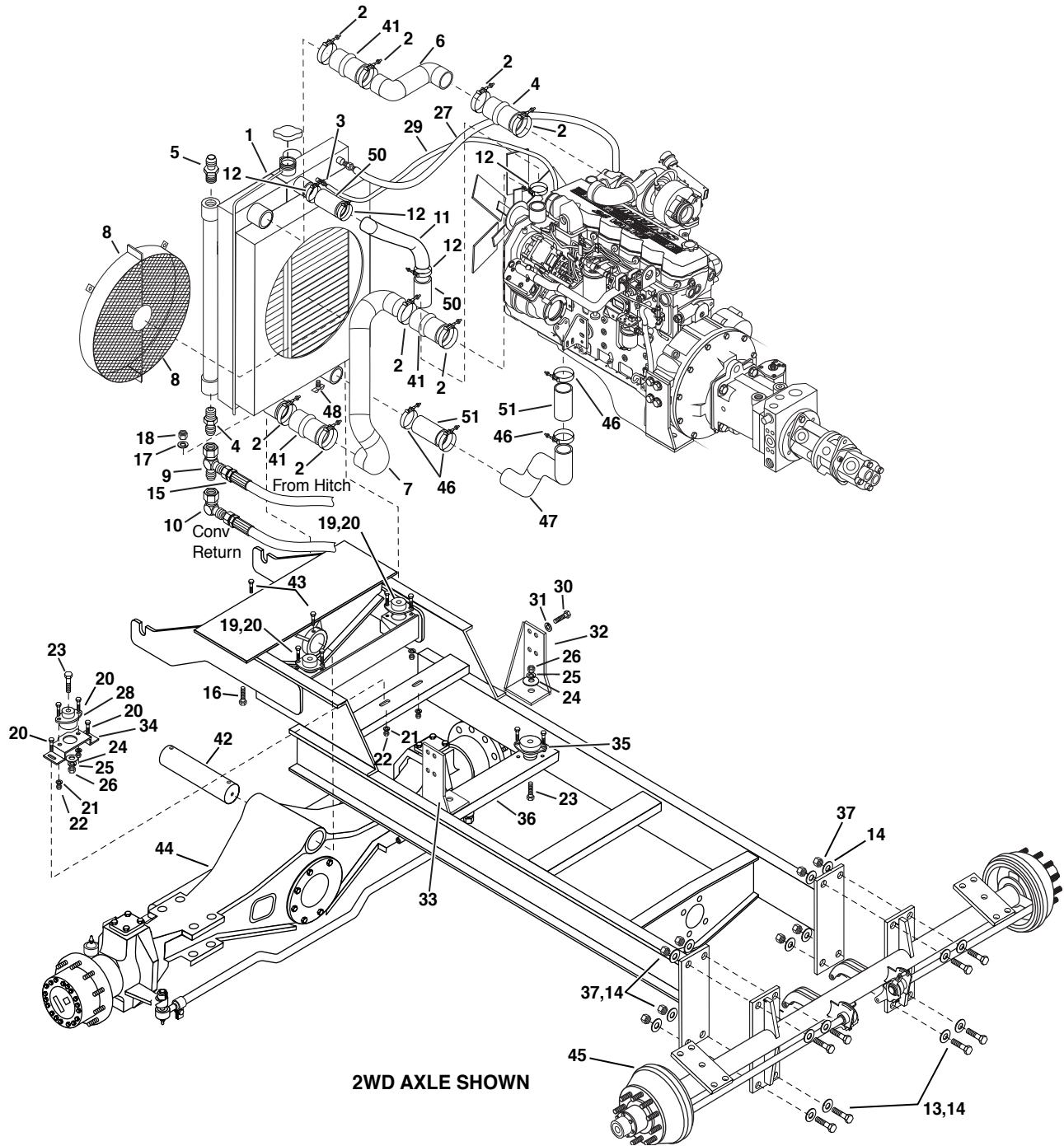


REF	PART NO.	QTY	DESCRIPTION	REF	PART NO.	QTY	DESCRIPTION
1	6400589	1	Filter-Air,Intake,2 Element,7"	9	6400593	1	Elbow-Rubber,90,7" to 5"
	7050504	1	Element-Primary	10	6001763	1	Clamp-T-Bolt 5.25" to 5.56"
	7050505	1	Element-Safety	11	6001764	1	Clamp-T-Bolt 7.25" to 7.75"
	7050506	1	Dust Ejection Valve				
2	6400590	2	Band-Mounting				
3	6400591	1	Hood-Inlet,7.00 In				
4	6400592	1	Indicator-Air Restriction				
5	3111481	1	Mount-Air Intake				
6	6001480	1	Clamp-T-Bolt 4.53" to 4.83"				
7	6400567	1	Elbow-Rubber,90,5" to 4"				
8	3111482	1	Tube-Air Intake,5"				

ENGINE

Radiator - Cooler - Motor Mounts and Axle Connections

K6244 & Up

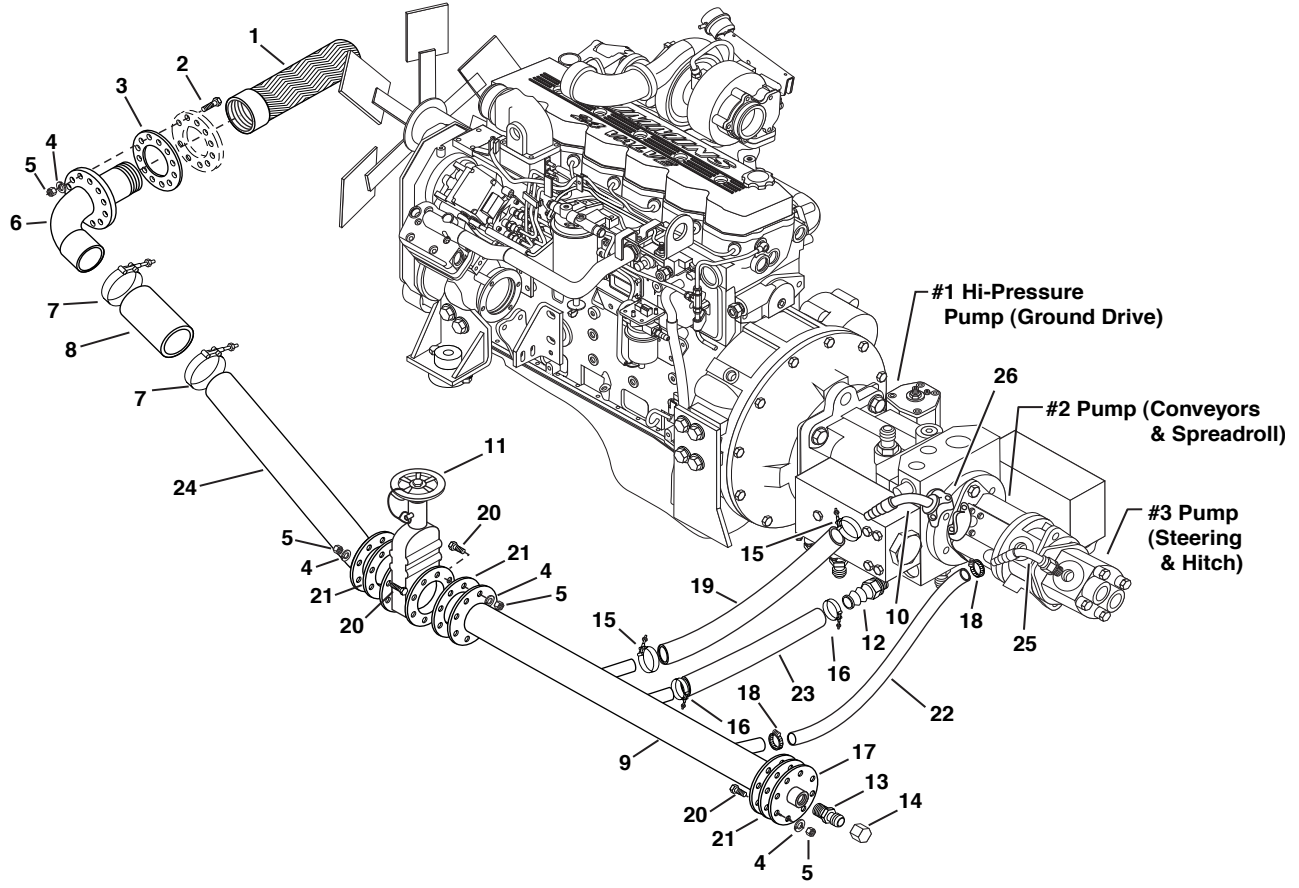


Radiator - Cooler - Motor Mounts and Axle Connections
K6244 & Up

REF	PART NO.	QTY	DESCRIPTION	REF	PART NO.	QTY	DESCRIPTION
1	6400532	1	Radiator/Oil Cooler/Charge Air Cooler	47	3111471	1	Tube Asm-Lower, Rad
	7050397	1	Radiator	48	6600162	1	Cock-Drain, 0.25 In Spanco Brs
	7050398	1	Hydraulic Oil Cooler	49	3160841	1	Engine Comm Harness (Not Shown)
	7050399	1	Charge Air Cooler	50	3111440	2	Hose Rad. 1.75 x 5
	7050990	1	Cap-Radiator	51	3111441	2	Hose Rad. 2.25 x 5
2	7050349	8	Clamp-TBolt, Spring Type, 3"	52	3160842	1	Engine Power Harness (Not Shown)
3	6603377	1	Hose End-05-04MP,St,LPSP				AR - As Required
4	6601418	1	Adapter-Hyd, ST, 16MB-12MJ				
5	9400207	1	Adapter-Hyd, ST, 16MB-16MJ				
6	3111470	1	Tube-Charge Air, Top				
7	3111465	1	Tube-Charge Air, Bottom				
8	3111420	2	Cover-Fan Shroud				
9	9410309	1	Tee-Hydr, 12MJ-12FJX-12MJ				
10	9410283	1	Elbow-Hydr, 12FJX-12MJ				
11	3111472	1	Tube-Radiator				
12	6001638	4	Clamp-T-Bolt, 1.91" to 2.22"				
13	6100267	8	Screw-Hex, 0.75NC x 3.00, GR8, PN				
14	9437244	16	Washer-Flat, 0.75A(0.81 x 2.00), HN				
15	3181233	1	Hose Asm-16 x 143, 16FJX-16FJX				
16	0122333	2	Screw-Hex, 0.44 x 3.00NPT, PD				
17	0120383	2	Washer-Lock, 0.44, Spring, PD				
18	0271501	2	Nut-Hex, 0.44NC, PD				
19	6000999	2	Mount-Cushion, Front, Perkins				
20	0120233	12	Screw-Hex, 0.38NC x 1.00, GR2, PD				
21	0120382	12	Washer-Lock, 0.38, Spring, PD				
22	0120377	12	Nut-Hex, 0.38NC, PD				
23	0428715	4	Screw-Hex, 0.62 x 4.00NPT, PD				
24	9422850	6	Washer-Flat, 0.62A(0.65 x 1.31)PN				
25	0121574	4	Washer-Lock, 0.62, Spring, PD				
26	0124589	4	Nut-Hex, 0.62NC, PD				
27	6603375	AR	Hose-3/4",Water				
28	6000916	1	Mount-Cushion, Front Eng.				
29	6603376	AR	Hose-5/16,Water				
30	6001081	16	Bolt-Metric, M12-1.75 x 4.00				
31	6001082	16	Washer-Lock, Metric, Chips				
32	3111464	1	Mount Asm-RT Rear, Cummins				
33	3111462	1	Mount Asm-LT Rear, Cummins				
34	3111459	1	Mount Asm-Front, Cummins				
35	6001049	2	Mount-Cushion, Rear Eng.				
36	3110993	1	Channel-Rear Eng. Mt. Chips				
37	9414000	1	Nut-Hex, Lock, 0.75NC, GR, PD				
38	7050527	1	Oil Filter (Not Shown)				
39	7050550	1	Fuel Filter (Not Shown)				
	7050526	1	PreFilter (Not Shown)				
40	7050524	1	Serpentine Belt (Not Shown)				
41	7050347	4	Hose Hump-3" ID, High Temp				
42	3102336	1	Shaft-Frt Axle/Pyramid				
43	6100086	2	Screw-SqHd, 0.50NC x 1.0, H/DG, LK				
44	3111467	1	Axle-Front, Drive, 81.25" Track				
45	3111475	1	Axle-Rear Drive, 80" Track (4WD)				
	3111493	1	Axle-25K, 97" Trk, 22.5" Hubs (2WD)				
46	6001163	4	Clamp-T-Bolt, 2.66"				

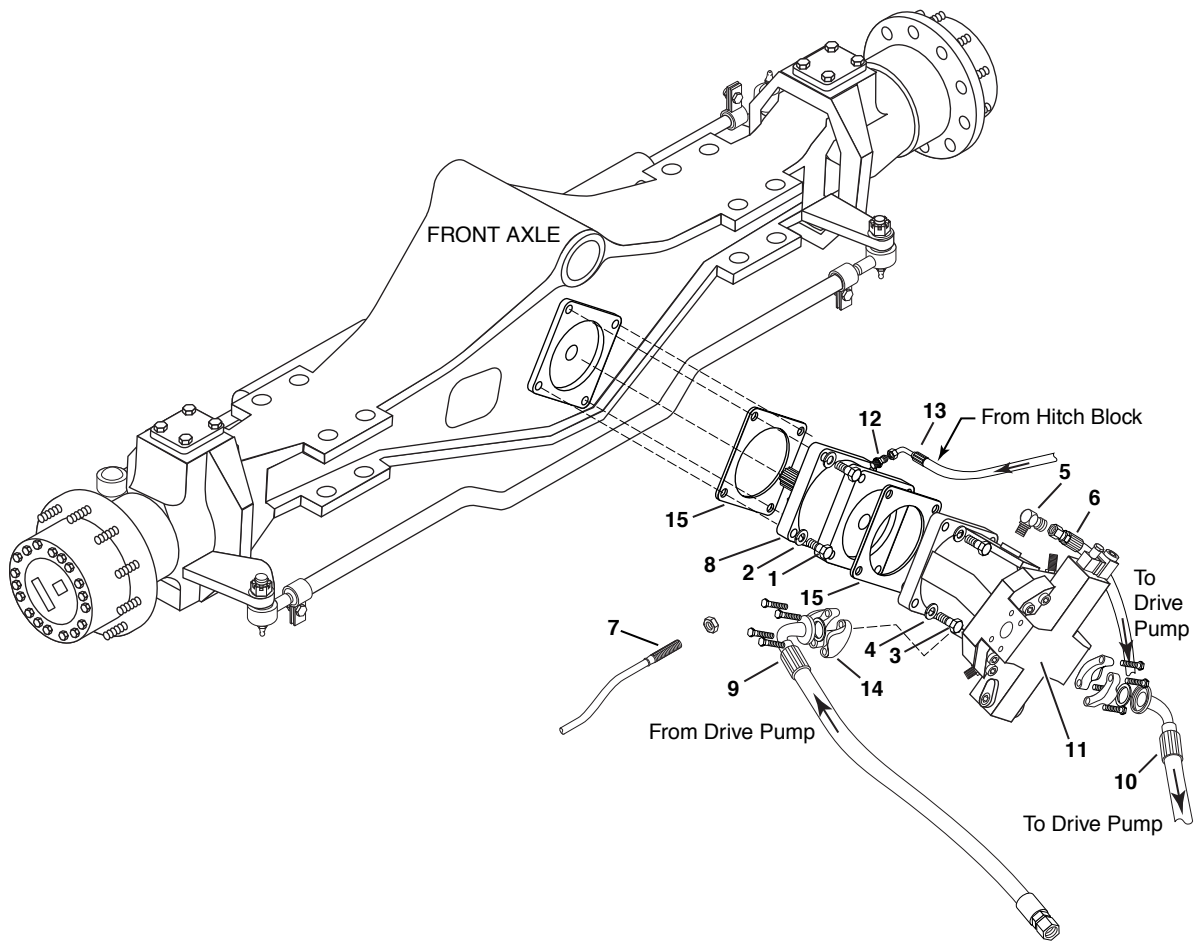
ENGINE

Suction Lines



REF	PART NO.	QTY	DESCRIPTION	REF	PART NO.	QTY	DESCRIPTION
1	6602617	1	Strainer-Suction 100 Mesh, 116 GPM	17	3181637	1	Flange Asm- 3", with coupling
2	0120233	12	Screw-Hex, 3/8NC x 1 1/2, GR2, PD	18	6600792	2	Clamp-Hose, Worm Dr., 1 1/16 to 2
3	6602604	1	Gasket-5" Flange, AV#15961-CB	19	3181764	1	Hose-Suct. Charge Pump, 1 1/2 x 16
4	0120382	36	Washer-Lock, 3/8, Spring, PD	20	0120233	24	Screw-Hex, 3/8NC x 1.00, GR2, PD
5	0120377	36	Nut-Hex, 3/8NC, PD	21	6601064	3	Gasket-Flange AV#10232-B, C+B
6	3181726	1	Outlet-Filter, Hyd Rsvr Weldment	22	3181098	1	Hose Suction, Rear Pump, 1" x 24"
7	6401448	2	Clamp-T-Bolt, 4 In. Worm Dr.	23	3181634	1	Hose Suction, Pump, 2" ID x 20.5" Lg.
8	3181096	1	Sleeve, Suction Pipe	24	3181727	1	Front Suction Pipe Weldment, Upper
9	3181704	1	Suction Pipe Weldment	25	6602735	1	Hose End, 45 Deg, 16 BARB-16MB
10	3181756	1	Hose End-2", 90 Deg. O-Ring Flange	26	6602628	1	Split Flange Kit-2"
11	3181343	1	Gate Valve/Safety Asm				
12	6602736	1	Hose End-ST, 24 BARB-24MB				
13	9402711	1	Adapter-Hyd,12MJ-12MP				
14	9403314	1	Cap-Hyd,12FJ				
15	6001638	2	Clamp-T-Bolt,1.91 to 2.22"				
16	6001446	3	Clamp-T-Bolt,2 9/16"				

Front Motor Installation K6212 & Up

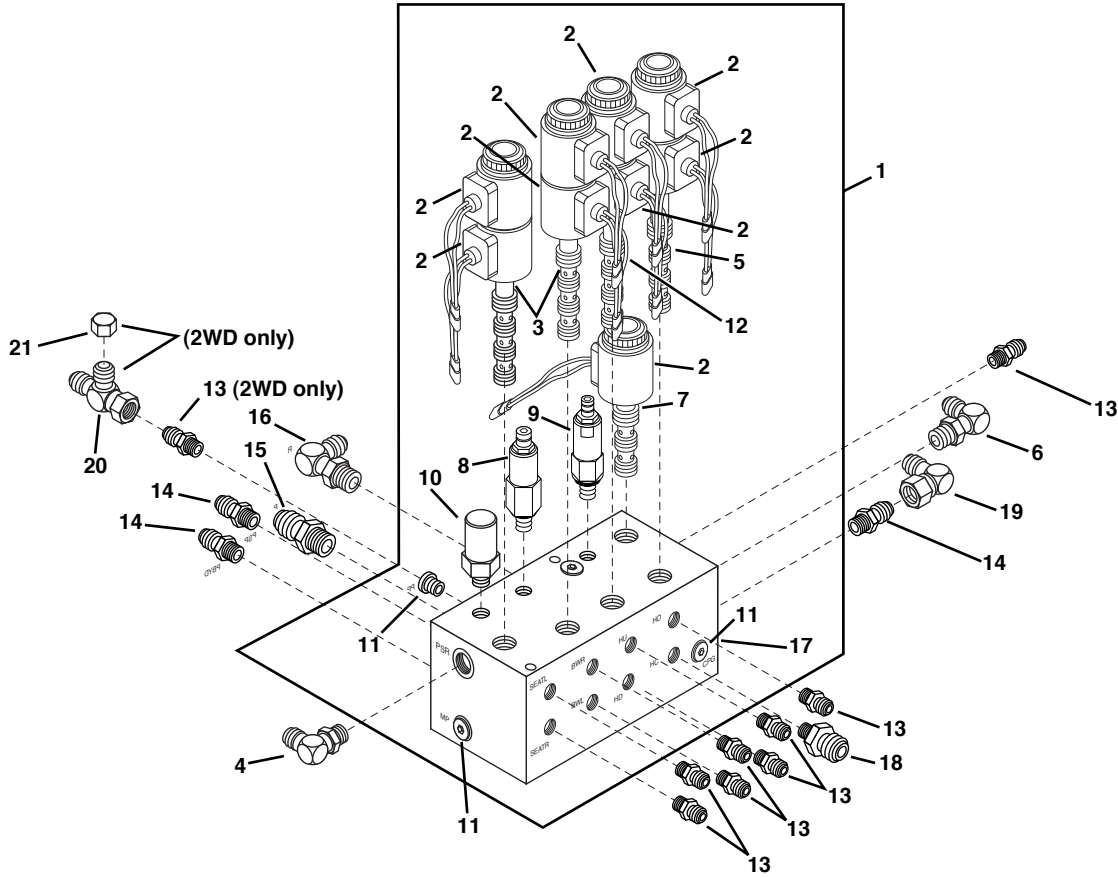


HYDRAULIC

REF	PART NO.	QTY	DESCRIPTION	REF	PART NO.	QTY	DESCRIPTION
1	6100678	4	Screw-Hex,M16x45,Gr 10.9	12	9410200	1	Adapter-Hyd,ST,04MB-04MJ
2	6100677	4	Washer-Lock,16mm	13	3181437	1	Hose Asm-04 x 136,04FJX90-04FJX90
3	0223515	4	Screw-Hex,5/8NCx2 1/2,Gr 8	14	6603559	2	Split Flange Kit-1 1/4" Code 62,Metric
4	0121574	4	Washer-Lock,5/8	15	3111492	2	Gasket-Axle Input
5	6603547	1	Elbow-Hyd, 90,M26-12MJ				
6	3181732	1	Hose Asm-12 x 74,12FJX-12FJX				
7	6703670	1	Speed Sensor Cable Asm				
8	6603525	1	Brake-Parking-Mico,DIN				
	7050593	1	Seal Kit				
	7050594	1	Bearing Kit				
	7050595	1	Spring Kit				
	7050596	1	Lining Kit				
9	6603571	1	Hose Asm-16 x 57-20FLH90-16FJX				
10	6603572	1	Hose Asm-16 x 60 1/2-20FLH90-16FJX				
11	3183520	1	Motor-Hyd,160CC,DIN				
	7050649	1	Solenoid-Round				
	7050189	1	Seal Kit				
	7050191	1	Shaft Seal				

**Hitch - Power Steering - Brake - Rear Hopper
Manifold Asm - 3181720
K6205 & Up**

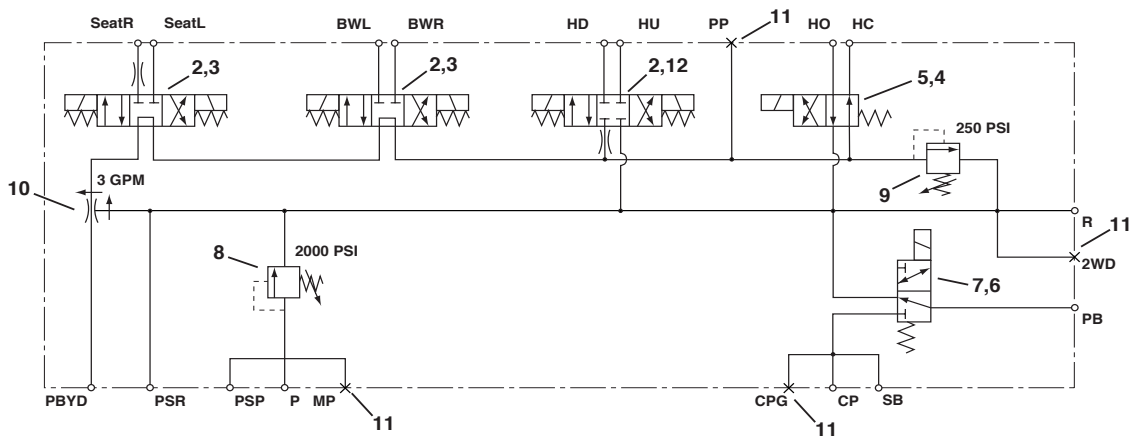
HYDRAULIC



Hitch - Power Steering - Brake - Rear Hopper Manifold Asm - 3181720 K6205 & Up

REF	PART NO.	QTY	DESCRIPTION	REF	PART NO.	QTY	DESCRIPTION
1	3181708	1	Manifold-Hitch,Steering,Brake,Hopper				
2	7050259	9	Coil-12V, Weatherpack				
3	7050487	2	Valve-Cartridge,Sol,4 Way,3 Pos				
4	9410976	1	Elbow-Hydr,90,06MB-06MJ				
5	7050508	1	Valve-Cartridge,Sol,4 Way,2 Pos				
6	9410977	1	Elbow-Hydr,90,08MB-08MJ				
7	7050509	1	Valve-Cartridge,Sol,3 Way,2 Pos				
8	7050511	1	Valve-Cartridge,Relief,2000 PSI				
9	7050512	1	Valve-Cartridge,Relief,250 PSI				
10	7050510	1	Valve-Cartridge,Priority Flow Reg				
11	9410356	3	Plug-Hyd,Socket Hd,04MB				
12	7050507	1	Vlv-Cartridge,Sol,4 Way,3 Pos				
13	9410200	9	Adapter-Hydr,St,04MB-04MJ				
14	9410202	3	Adapter-Hydr,St,06MB-06MJ				
15	9410203	2	Adapter-Hydr,St,08MB-08MJ				
16	9410979	1	Elbow-Hydr,90,12MB-12MJ				
17	7050586	1	Manifold Block				
18	6603038	1	Adapter-Hydr,St,04MB-08MJ				
19	9410280	1	Elbow-Hydr,90,06FJX-06MJ				
20	6602140	1	Tee-04MJ-04FJX-04MJ				
21	6602117	1	Cap-04FJ				

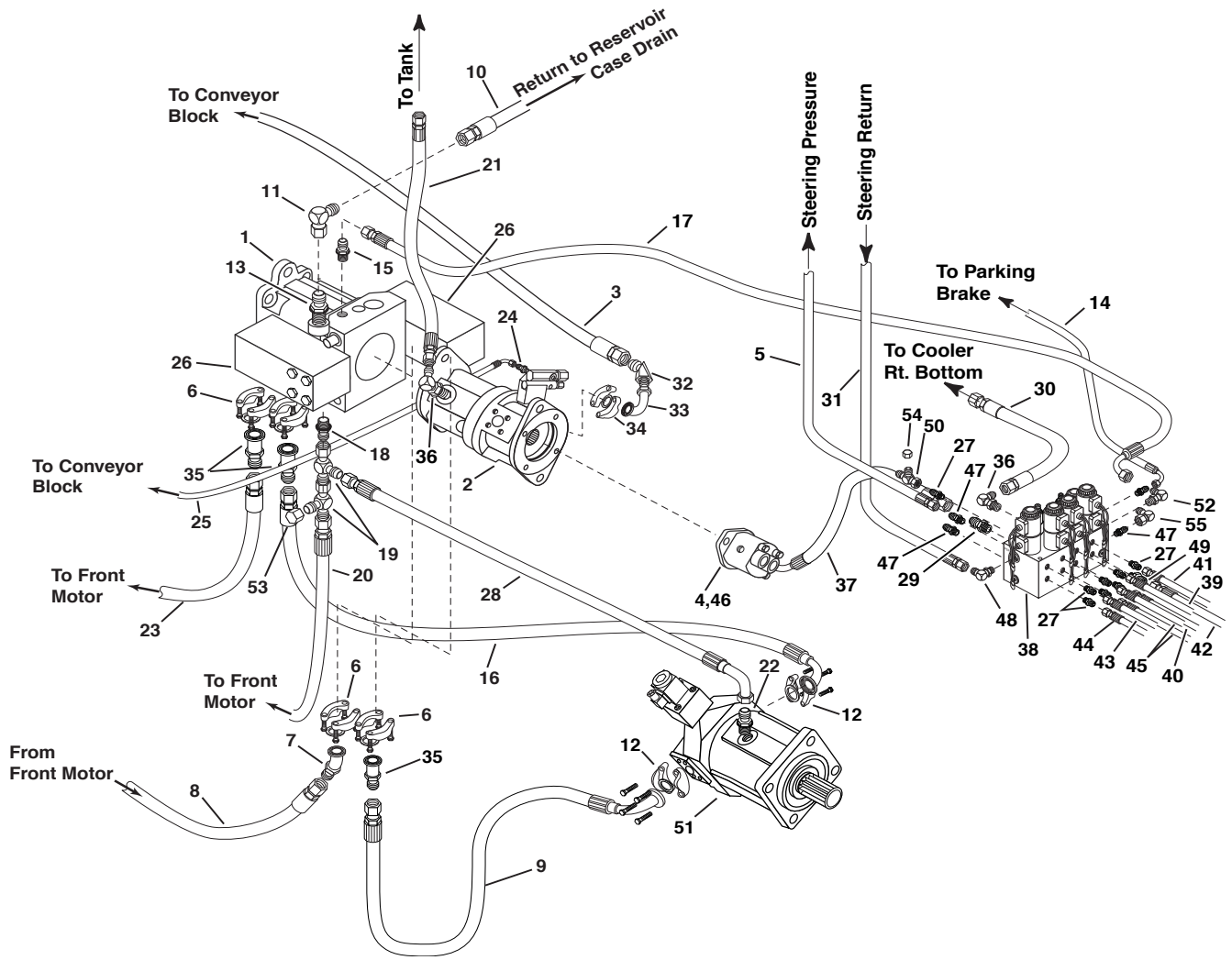
Note: Ref 1 includes Ref 2-12, 17



HYDRAULIC

Hydraulic Pumps And Rear Motor - 4WD - K6244 & Up

HYDRAULIC



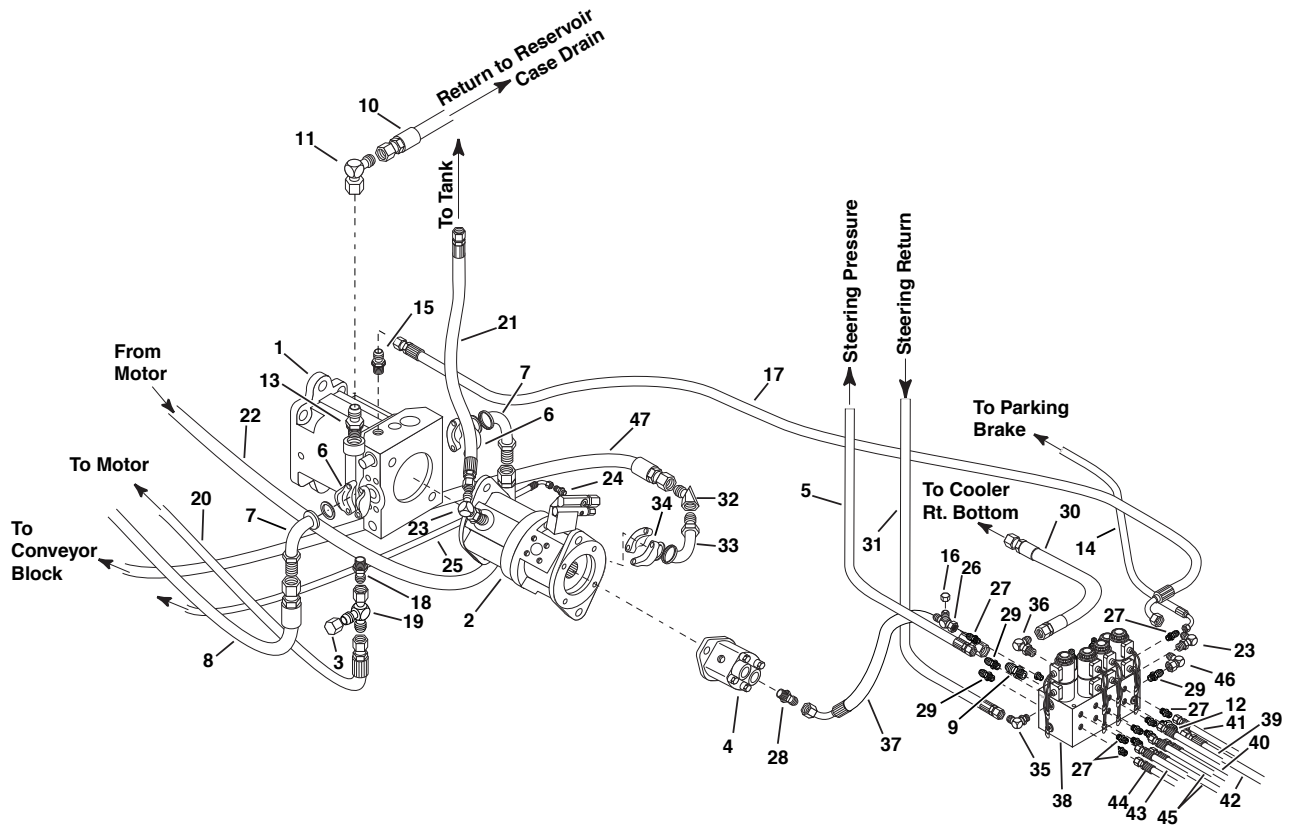
Hydraulic Pumps And Rear Motor - 4WD - K6244 & Up

REF	PART NO.	QTY	DESCRIPTION	REF	PART NO.	QTY	DESCRIPTION
1	3181072	1	Pump-125CC Var Disp.,5800 PSI	36	9410979	2	Elbow-Hyd,90,12MB-12MJ
	7050056	1	Pump Stroker	37	3181724	1	Hose Asm-08 x 30,08FJX-08FJX90
	7050492	1	Filter Bowl	38	3181708	1	Manifold-Hitch/Pwr Steer/Brake
	7050160	1	Filter Indicator	39	3181444	1	Hose Asm-04x42,04FJX-04FJX90
	7050136	1	Filter Assembly	40	3181443	1	Hose Asm-04x51,04FJX-04FJX90
	7050137	1	Filter Element	41	3181442	1	Hose Asm-04x113,04FJX-04FJX90
	7050138	1	O-Ring-Filter Housing/Pump	42	3181441	1	Hose Asm-08x115,08FJX-08FJX90
	7050493	1	O-Ring-Bowl	43	3181716	1	Hose Asm-04 x 72,04FJX-04FJX90
2	6602601	1	Pump-Var Disp.,4.52 CID,A Pad	44	3181717	1	Hose Asm-04 x 71,04FJX-04FJX90
	7050089	1	O-Ring-Pump 1/Pump 2	45	3181446	4	Hose Asm-04 x 123,06MPX90-04FJX
	7050406	1	Compensator	46	6600921	1	Adapter-Hydr,St,08MJ-12MB
	7050491	1	O-Ring-Compensator	47	9410202	3	Adapter-Hyd,ST,06MB-06MJ
	7050447	1	Seal-Adjustment Screw	48	9410976	1	Elbow-Hydr,06MB-06MJ
3	3181628	1	Hose Asm-16 x 144,16FJX-16FJX	49	6603038	1	Adapter-Hyd,ST,04MB-08MJ
4	6602850	1	Pump-1.16 Cir,RH,9T,SAE A	50	6602140	2	Tee-Hydr,04MJ-04FJX-04MJ
	7050090	1	O-Ring-Pump 2/Pump 3	51	3183520	1	Motor-Hyd,160CC
5	3181439	1	Hose Asm-06 x 138,06FJX-06FJX90		7050649	1	Coil
6	6602624	4	Split Flange Kit-1" Code 62		7050189	1	Seal Kit
	0274253	4	O-Ring-16OR		7050191	1	Shaft Seal
7	6603269	1	Elbow-45,16FLH-16MJ	52	9410977	1	Elbow-Hydr,90,08MB-08MJ
8	6603572	1	Hose Asm-16 x 60.5,26FLH90-16FJX	53	9403374	1	Cap-Hyd,12FJ
9	6603574	1	Hose Asm-16 x 48,20FLH90-16FJX	54	6602117	1	Cap-Hyd,04FJ
10	3181233	1	Hose Asm-16 x 140,16FJX-16FJX	55	9410280	1	Elbow-Hydr,90,06FJX-06MJ
11	9410285	1	Elbow-Hyd,90,16FJX-16MJ				
12	6603559	2	Split Flange Kit-1 1/4 Metric				
	7420292	1	O-Ring				
13	9410207	1	Adapter-Hyd,ST,16MB-16MJ				
14	3181437	1	Hose Asm-04 x 126,04FJX90-04FJX90				
15	6600903	1	Adapter-Hyd,ST,08MJ-10MB				
16	6603573	1	Hose Asm-16 x 40.5,20FLH90-16FJX				
17	3181715	1	Hose Asm-08 x 42,08FJX-08FJX90				
18	6601418	1	Adapter-Hyd,ST,12MJ-16MB				
19	9410335	2	Tee-Hyd,12MJ-12FJX-12MJ				
20	3181235	1	Hose Asm-12 x 56,12FJX-12FJX				
21	3181698	1	Hose Asm-12 x 102,12FJX-12FJX				
22	6603547	1	Adapter-Hyd,St,M26-12MJ				
23	6603571	1	Hose Asm-16 x 57,20FLH90-16FJX				
24	6603178	2	Adapter-Hyd,ST,04MB-04MJ,.030 Orif				
25	3181198	1	Hose Asm-04 x 138,04FJX-04FJX90				
26	6603163	2	Tee-20FLH-16FLH-16FLH				
	7420292	2	O-Ring,20OR				
	6001426	8	Screw-Socket Head,1/2 x 3 3/4,Gr 8,PD				
	0120384	8	Washer-Lock,1/2, Spring				
27	9410200	8	Adapter-Hyd,ST,04MB-04MJ				
28	3181733	1	Hose Asm-12 x 55,12FJX-12FJX90				
29	9410203	2	Adapter-Hyd,ST,08MB-08MJ				
30	3181456	1	Hose Asm-12 x 122,12FJX-12FJX				
31	3181445	1	Hose Asm-06 x 141,06FJX-06FJX90				
32	6602021	1	Elbow-Hyd,45,16MJ-16FJX				
33	6601045	1	Elbow-Hyd,90,16FL-16MJ				
34	6600236	1	Flange Kit-1.00,4 Bolt,Code 61				
	0274253	1	O-Ring-16OR				
35	6603268	3	Adapter-Hydr,16FLH-16MJ				

HYDRAULIC

Hydraulic Pumps - 2WD - K6244 & Up

HYDRAULIC



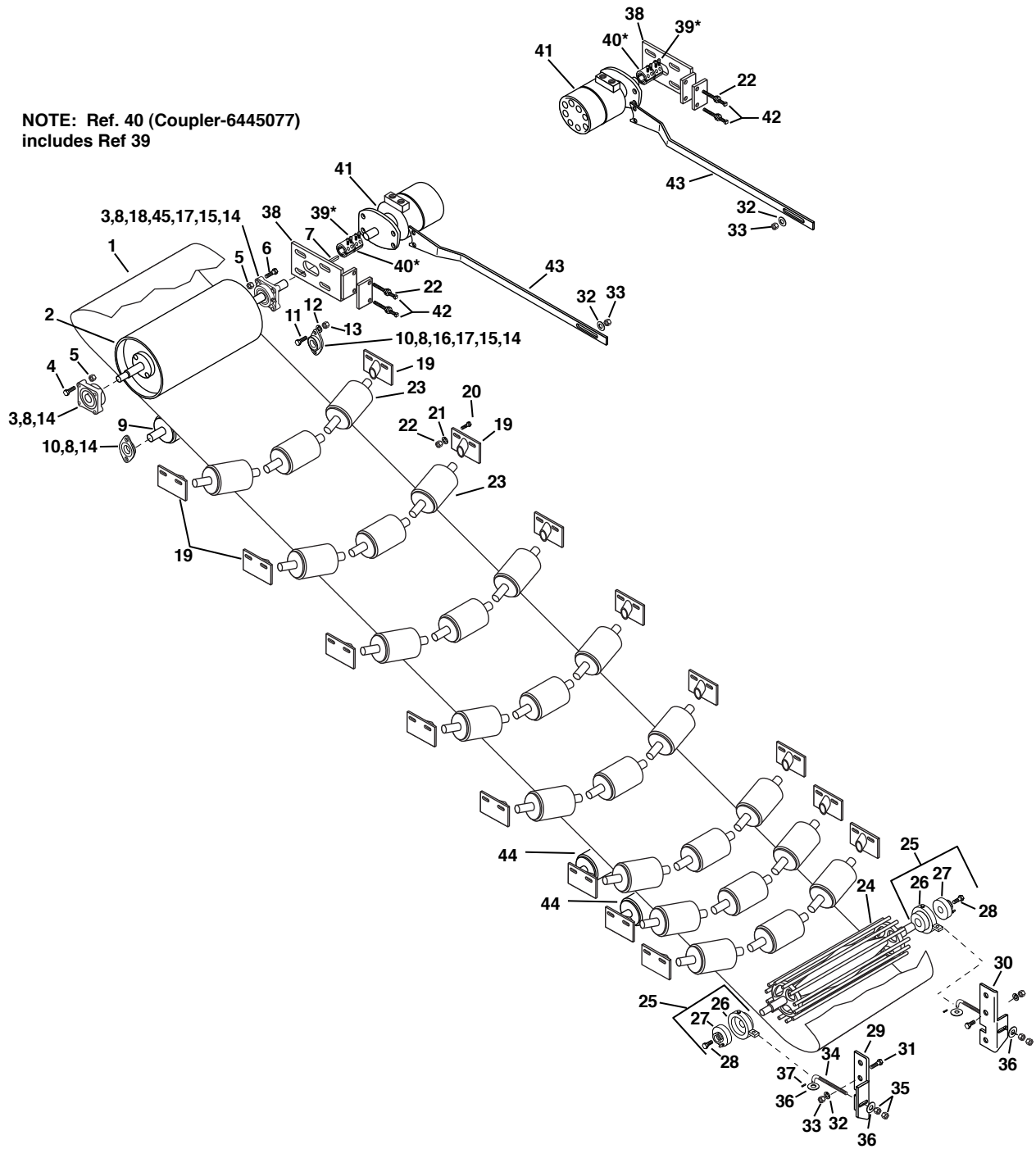
Hydraulic Pumps - 2WD - K6244 & Up

REF	PART NO.	QTY	DESCRIPTION	REF	PART NO.	QTY	DESCRIPTION
1	3181072	1	Pump-125CC Var Disp.,5800 PSI	41	3181442	1	Hose Asm-04x113,04FJX-04FJX90
	7050056	1	Pump Stroker	42	3181441	1	Hose Asm-08x115,08FJX-08FJX90
	7050492	1	Filter Bowl	43	3181716	1	Hose Asm-04 x 72,04FJX-04FJX
	7050160	1	Filter Indicator	44	3181717	1	Hose Asm-04 x 71,04FJX-04FJX
	7050136	1	Filter Assembly	45	3181446	4	Hose Asm-04 x 123,06MPX90-04FJX
	7050137	1	Filter Element	46	9410280	1	Elbow-Hydr,90,06FJX-06MJ
	7050138	1	O-Ring-Filter Housing/Pump	47	3181628	1	Hose Asm-16 x 144,16FJX-16FJX
	7050493	1	O-Ring-Bowl				
2	6602601	1	Pump-Var Disp.,4.52 CID,A Pad				
	7050089	1	O-Ring-Pump 1/Pump 2				
	7050406	1	Compensator				
	7050491	1	O-Ring-Compensator				
	7050447	1	Seal-Adjustment Screw				
3	9403374	1	Cap-Hyd,12FJ				
4	6602850	1	Pump-1.16 Cir,RH,9T,SAE A				
	7050090	1	O-Ring-Pump 2/Pump 3				
5	3181439	1	Hose Asm-06 x 138,06FJX-06FJX90				
6	6602679	4	Split Flange Kit-1 1/4 Code 62				
	7420292	1	O-Ring				
7	6602678	2	Elbow-90,20FLH-20MJ				
8	6603576	1	Hose Assy-1 1/4 x 57 ,6000 PSI				
9	9410203	2	Adapter-Hyd,St,08MB-08MJ				
10	3181233	1	Hose Asm-16 x 140,16FJX-16FJX				
11	9410285	1	Elbow-Hyd,90,16FJX-16MJ				
12	6603038	1	Adapter-Hyd,ST,04MB-08MJ				
13	9410207	1	Adapter-Hyd,ST,16MB-16MJ				
14	3181437	1	Hose Asm-04 x 126,04FJX90-04FJX90				
15	6600903	1	Adapter-Hyd,ST,08MJ-10MB				
16	6602117	1	Cap-Hyd,04FJ				
17	3181715	1	Hose Asm-08 x 42,08FJX-08FJX90				
18	6601418	1	Adapter-Hyd,ST,12MJ-16MB				
19	9410335	1	Tee-Hyd,12MJ-12FJX-12MJ				
20	3181732	1	Hose Asm-12 x 74,12FJX-12FJX90				
21	3181698	1	Hose Asm-12 x 102,12FJX-12FJX				
22	6603577	1	Hose Asm-20 x 60.5,20FJX-20FL90				
23	6601811	1	Elbow-Hyd, 90,10MB-12MJ				
24	6603178	2	Adapter-Hyd,ST,04MB-04MJ,,031 O				
25	3181198	1	Hose Asm-04 x 138,04FJX-04FJX90				
26	6602140	2	Tee-Hydr,04MJ-04FJX-04MJ				
27	9410200	8	Adapter-Hyd,ST,04MB-04MJ				
28	6600921	1	Adapter-Hydr,ST,08MJ-12MB				
29	9410202	3	Adapter-Hyd,ST,06MB-06MJ				
30	3181456	1	Hose Asm-12 x 122,12FJX-12FJX				
31	3181445	1	Hose Asm-06 x 141,06FJX-06FJX90				
32	6602021	1	Elbow-Hyd,45,16MJ-16FJX				
33	6601045	1	Elbow-Hyd,90,16FL-16MJ				
34	6600236	1	Flange Kit-1.00,4 Bolt,Split				
35	9410976	1	Elbow-Hyd, 90,08MB-08MJ				
36	9410203	1	Elbow-Hyd,90,08MB-08MJ				
37	3181724	1	Hose Asm-08 x 30,08FJX-08FJX90				
38	3181708	1	Manifold-Hitch/Pwr Steer/Brake				
39	3181444	1	Hose Asm-04x42,04FJX-04FJX90				
40	3181443	1	Hose Asm-04x51,04FJX-04FJX90				

HYDRAULIC

Conveyor Arrangement - K6225 & Up

NOTE: Ref. 40 (Coupler-6445077)
includes Ref 39



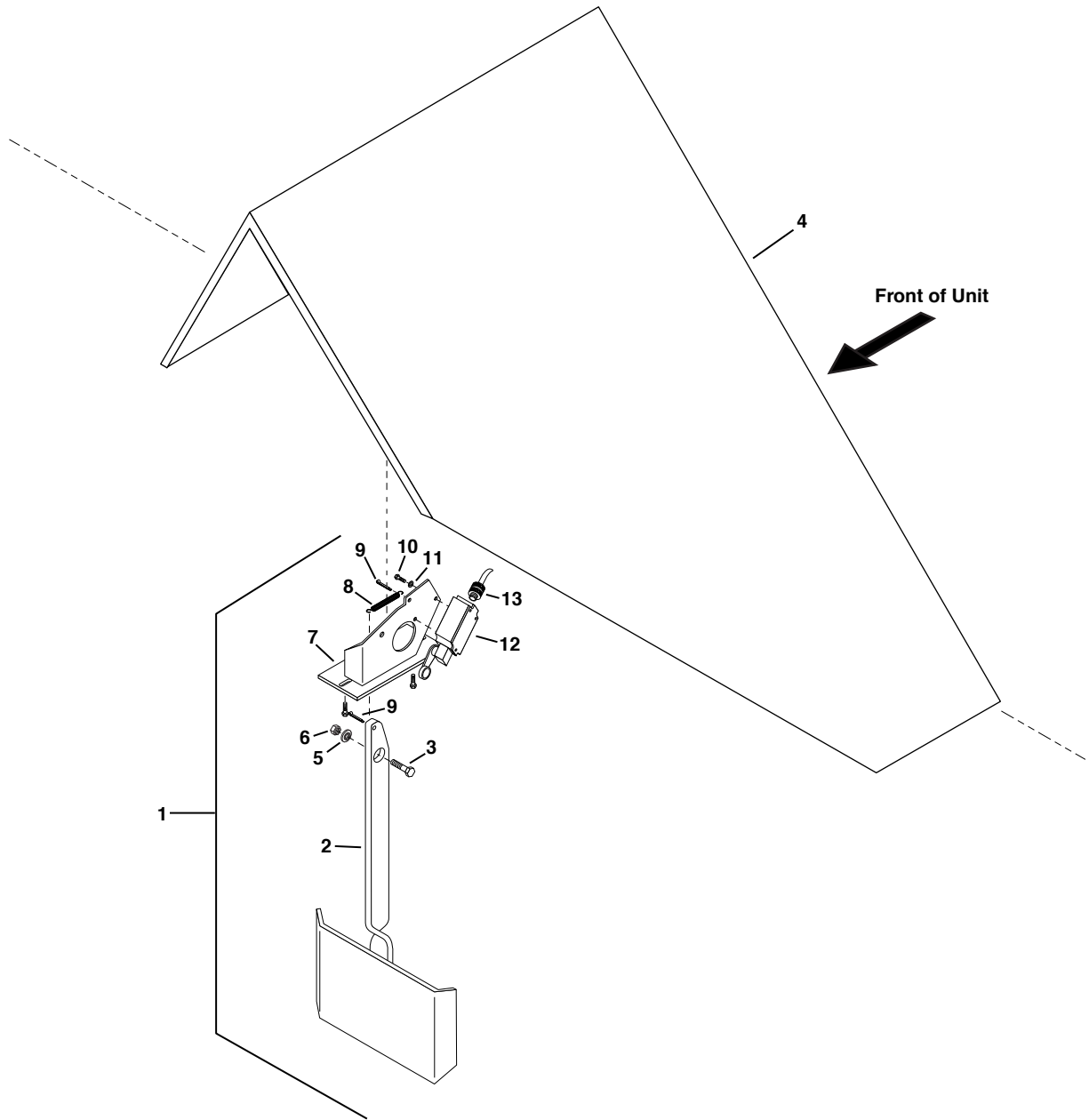
CONV & REAR HOPPER

Conveyor Arrangement - K6225 & Up

REF	PART NO.	QTY	DESCRIPTION	REF	PART NO.	QTY	DESCRIPTION
1	3130395	1	Belt-Conv,24",W/Fastener				
	7050128	1	Hinge Pin-24" Belt Splice				
	7050127	1	Splice-24",Complete Kit				
2	3130422	2	Head Pulley Assy-Conv,No Lag				
3	3140094	4	Flange Brg-Ball,4 Bolt,1.562				
4	0186646	8	Screw-Hex,0.50NC x 1.75,GR8,PN				
5	9411727	16	Nut-Hex,Lock,0.50NC,EA,PD				
6	0180183	8	Screw-Hex,0.50NC x 2.25,GR5,PD				
7	6000224	2	Key-0.31 x 0.31CR x 1.00				
8	6420195	8	Adapter				
9	3130398	2	Roller Asm-Front Idler				
10	6420086	4	Flange Brg-Ball,2 Blt.,1.00				
11	6100277	8	Screw-Carr Blt.,0.31NC x 1,GR5,PD				
12	0120214	8	Washer-Lock,0.31,Spring,PD				
13	0120376	8	Nut-Hex,0.31NC,PD				
14	0109462	8	Elbow-Lube,90,0.12NPT				
15	0192086	4	Coupling-Pipe,0.12NPT,PD				
16	0127960	2	Elbow-Pipe,90,ST,0.12NPT,PD				
17	0192042	2	Nipple-Pipe,Sch 40,0.12 x 1.50,PD				
18	0142868	4	Nipple-Pipe,Sch 40,0.12 x 0.75,PD				
19	3130552	32	Bracket-Idler				
20	0120233	64	Screw-Hex,0.38NC x 1.00,GR2,PD				
21	0120382	64	Washer-Lock,0.38,Spring,PD				
22	0120377	68	Nut-Hex,0.38NC,PD				
23	6435478	48	Roller-Trough, 24" Conveyor				
24	3130402	2	Pulley Asm-Tail,Conveyor CS				
25	3130095	4	Bearing & Hsg Asm-Tail Pulley				
26	3100096	1	Brg-Cartridge,SC-22,1.38 Dia.				
27	3130055	1	Housing-RR Pull Brg				
28	6000550	2	Screw-Hex,0.25-14 x 0.75,Tek 3,PD				
29	3102039	1	Bracket-Align,RH				
30	3102040	1	Bracket-Align,LH				
31	3100174	12	Screw-Rear Pulley				
32	0120384	12	Washer-Lock,0.50,Spring,PD				
33	0120378	12	Nut-Hex,0.50NC,PD				
34	3130083	4	Screw-Tail Pulley Adj.				
35	0124589	8	Nut-Hex,0.62NC,PD				
36	0130999	4	Washer-Flat,0.62A(0.69 x 1.75)PD				
37	0457008	4	Pin-Spring,0.19 x 1.50,HV,PN				
38	3180945	2	Plate-Bearing,Adjustment				
39	*****	4	Capscrews (Included W/Ref.#40)				
40	6445077	2	Coupler-1.25 W/5-16 Key				
41	6602376	2	Motor-Hyd,14.8 Cir				
42	0191966	4	Screw-SqHd,0.38NC x 3.00,Oval,PD				
43	3130424	2	Torque Arm-Conv Motor Mount				
44	6435479	4	Roller-Return, 24" Conveyor				
45	0127962	2	Elbow-Pipe,90,0.12NPT,PD				

CONV & REAR HOPPER

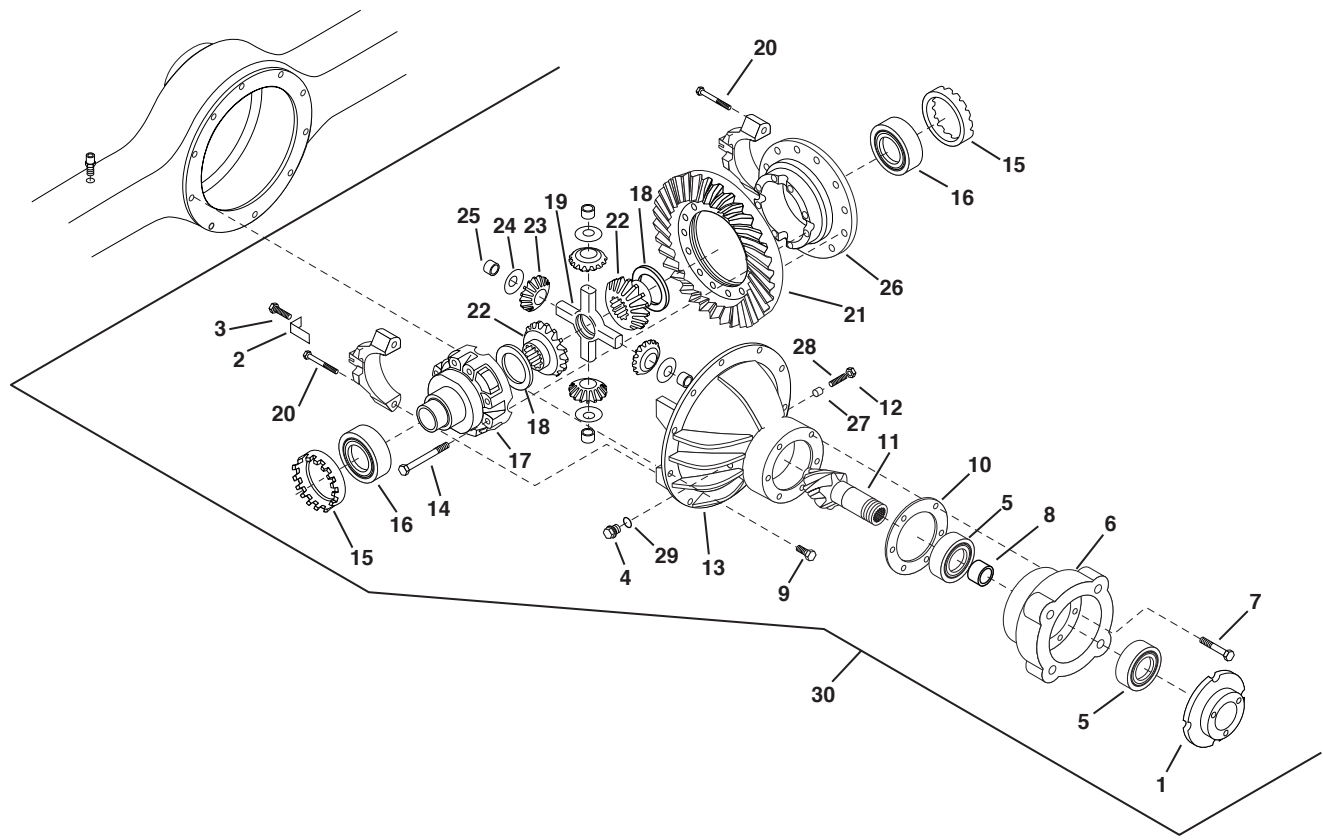
Hopper Material Level Switch - K6230 & Up



CONV & REAR HOPPER

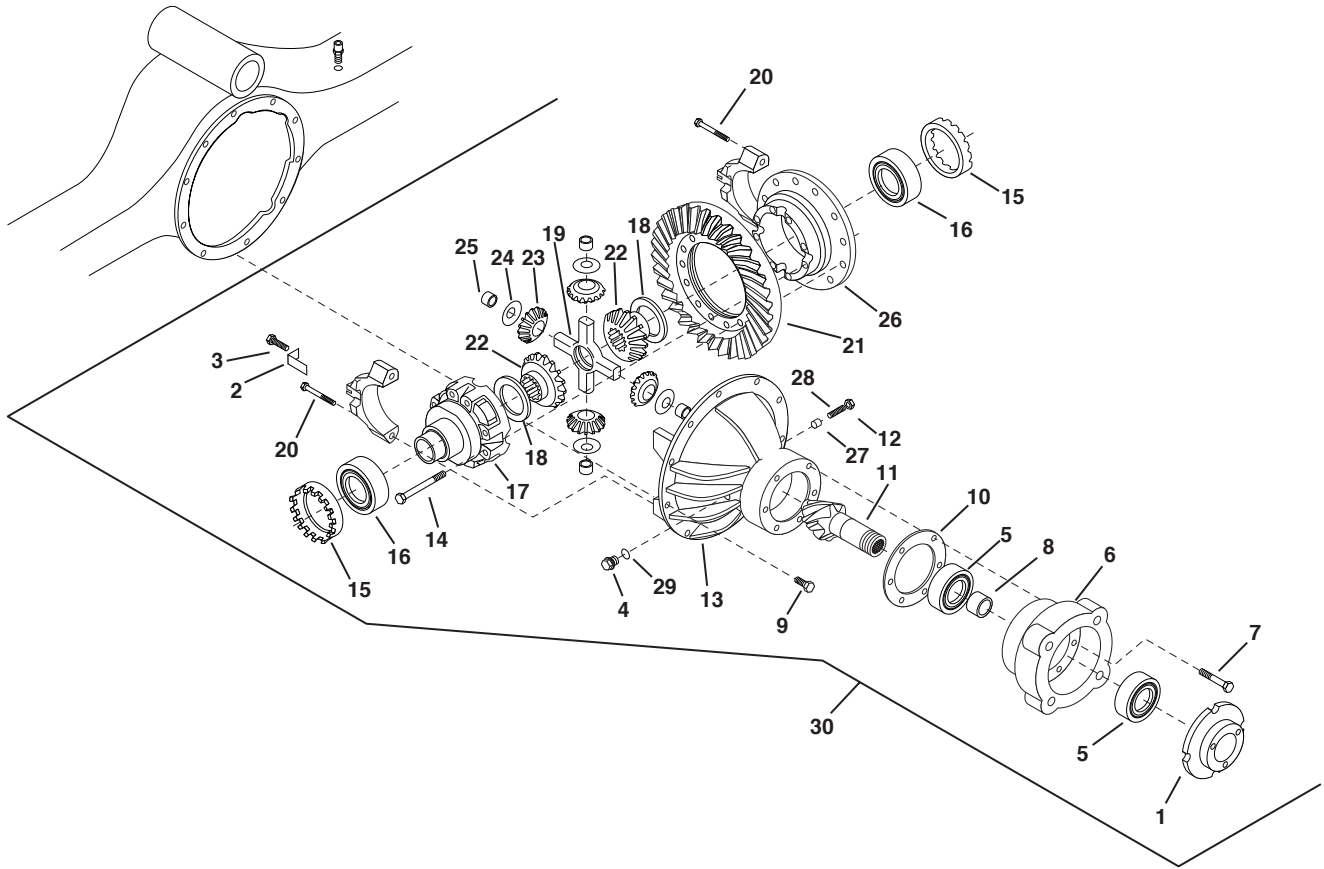
REF	PART NO.	QTY	DESCRIPTION	REF	PART NO.	QTY	DESCRIPTION
1	3160190	1	Switch Asm-Level Limit	10	0121887	2	Screw-Hex, 0.25NC x 0.75, GR2, PD
2	3142864	1	Paddle-Arm Asm	11	0120380	2	Washer-Lock, 0.25, Spring, PD
3	0122145	1	Screw-Hex, 0.38NC x 1.25, GR2, PD	12	3160042	1	Switch-Limit 1LS1
4	3121710	1	Deflector-Angle, LH	13	6701472	1	Cord-Grip, M, 0.31 x 0.50 SHC/017
	3142954	1	Deflector-Angle, RH				
5	3100343	1	Spacer-Level Limit				
6	0274993	1	Nut-Hex, Lock, 0.38NC, EA, PD				
7	3100334	1	Bracket-Plate Asm				
8	3330050	1	Spring-Smoke Stack Cover				
9	0103373	2	Pin-Cotter, 0.09 x 0.75, PD				

Carrier Assembly - Rear - Kessler
Axle Asm - 3111475



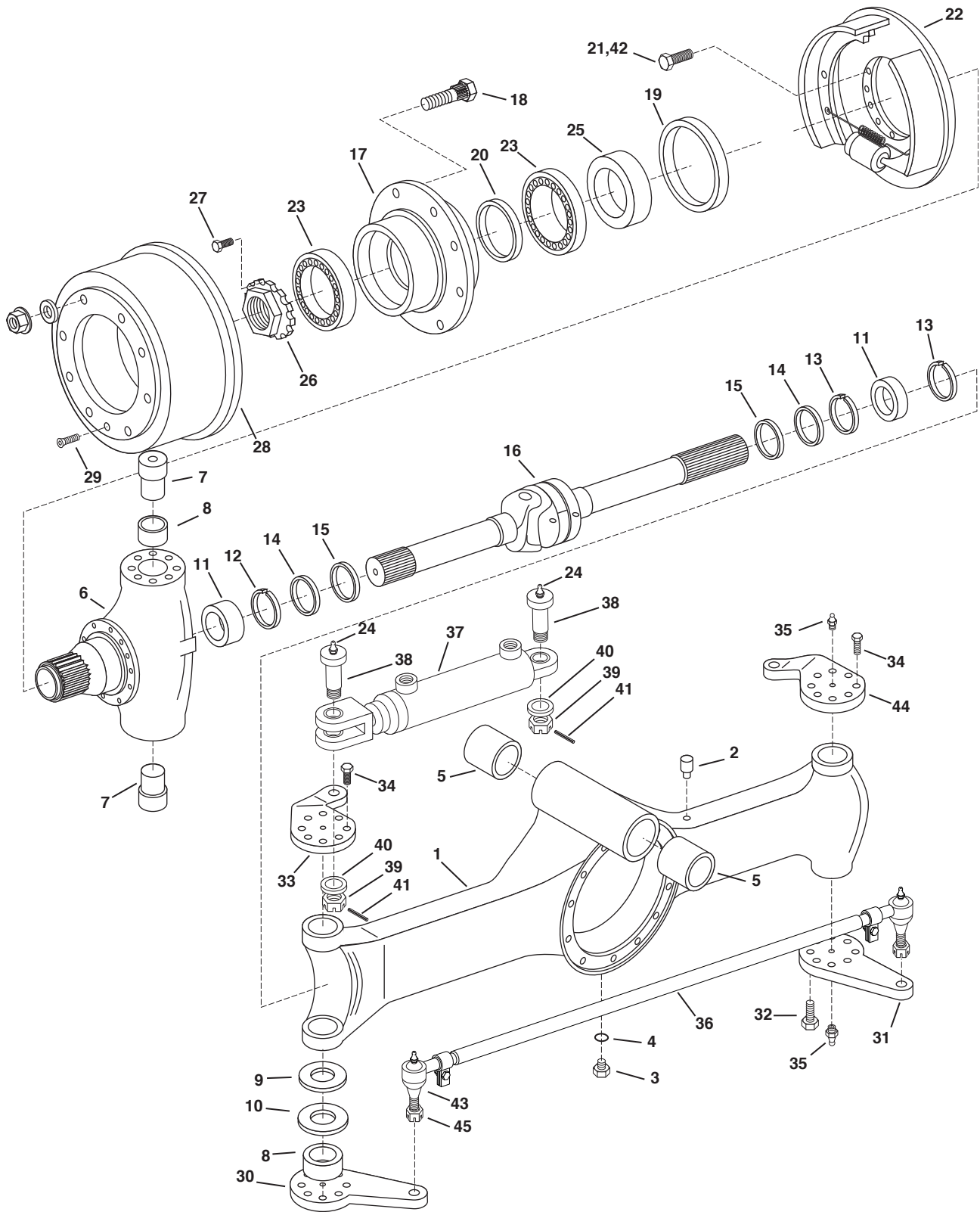
REF	PART NO.	QTY	DESCRIPTION	REF	PART NO.	QTY	DESCRIPTION
1	7050613	1	Nut-Pinion	21	7050568	1	Ring Gear
2	7050601	2	Lock Plate	22	7050572	2	Differential Side Gear
3	7050602	2	Cap Screw-Hex	23	7050588	4	Differential Pinion
4	7050604	1	Plug	24	7050590	4	Thrust Washer
5	7050609	2	Tapered Roller Bearing	25	7050591	4	Bearing Bushing
6	7050611	1	Pinion Housing	26	7050569	1	Differential Housing
7	7050592	8	Bolt-Hex Socket	27	7050607	1	Cap
8	7050610	1	Bushing	28	7050606	1	Support Bolt
9	7050603	12	Screw-Hex	29	7050605	1	Sealing Ring
10	7050612	1	Disk	30	7050647	1	Differential & Carrier Asm (Includes Ref 1-30)
11	7050567	1	Pinion				
12	7050608	1	Nut-Hex				
13	7050598	1	Differential Carrier				
14	7050592	12	Cap Screw-Socket Head				
15	7050600	2	Setting Ring				
16	7050597	2	Tapered Roller Bearing				
17	7050570	1	Differential Housing				
18	7050589	2	Thrust Washer				
19	7050571	1	Differential Spider				
20	7050599	4	Cap Screw-Hex				

Carrier Assembly - Front - Kessler Axle Asm 3111467



REF	PART NO.	QTY	DESCRIPTION	REF	PART NO.	QTY	DESCRIPTION
1	7050613	1	Nut-Pinion	21	7050568	1	Ring Gear
2	7050601	2	Lock Plate	22	7050572	2	Differential Side Gear
3	7050602	2	Cap Screw-Hex	23	7050588	4	Differential Pinion
4	7050604	1	Plug	24	7050590	4	Thrust Washer
5	7050609	2	Tapered Roller Bearing	25	7050591	4	Bearing Bushing
6	7050611	1	Pinion Housing	26	7050569	1	Differential Housing
7	7050592	8	Bolt-Hex Socket	27	7050607	1	Cap
8	7050610	1	Bushing	28	7050606	1	Support Bolt
9	7050603	12	Screw-Hex	29	7050605	1	Sealing Ring
10	7050612	1	Disk	30	7050647	1	Differential & Carrier Assy (Includes Ref 1-30)
11	7050567	1	Pinion				
12	7050608	1	Nut-Hex				
13	7050598	1	Differential Carrier				
14	7050592	12	Cap Screw-Socket Head				
15	7050600	2	Setting Ring				
16	7050597	2	Tapered Roller Bearing				
17	7050570	1	Differential Housing				
18	7050589	2	Thrust Washer				
19	7050571	1	Differential Spider				
20	7050599	4	Cap Screw-Hex				

Front Axle - Kessler

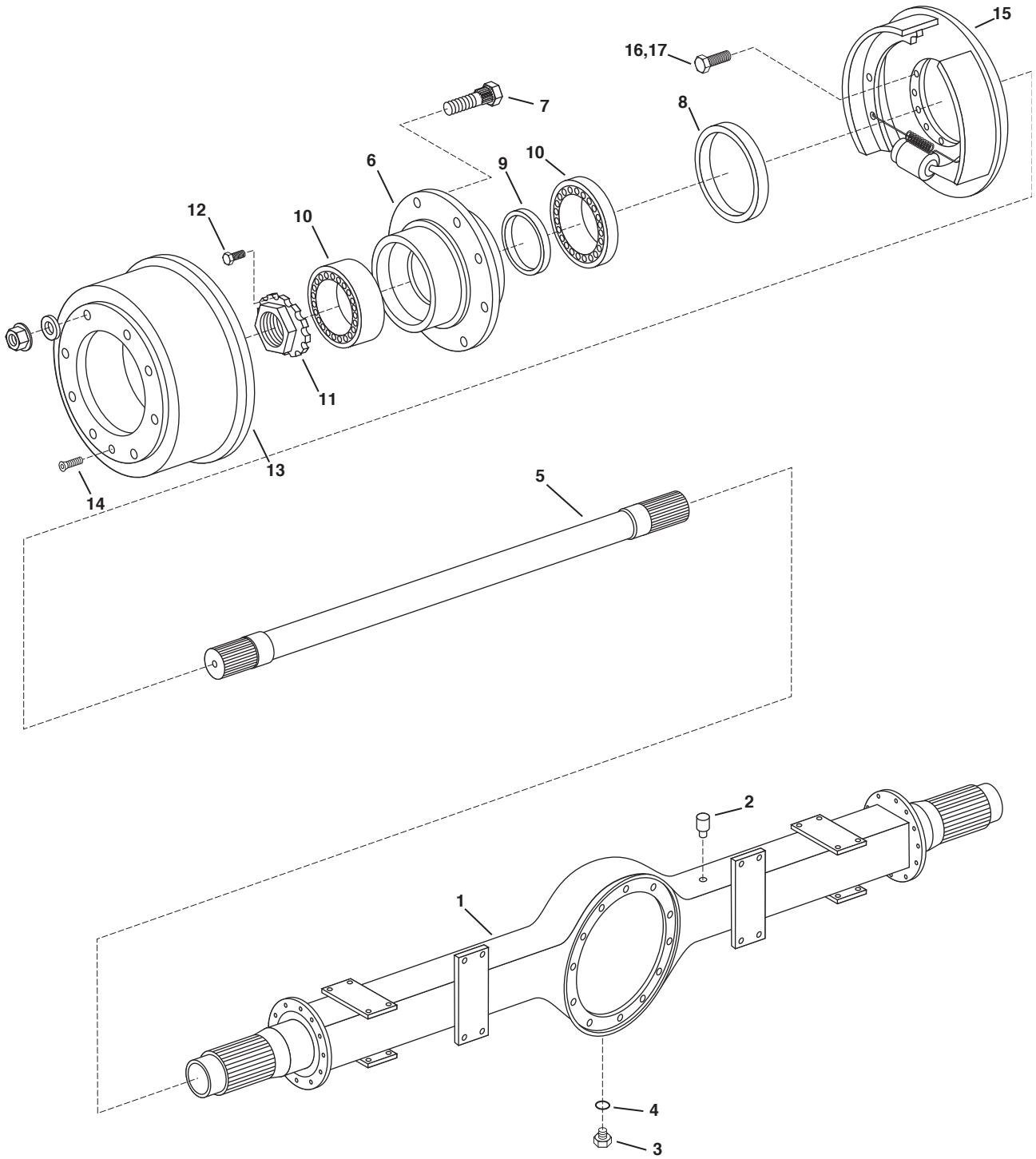


Front Axle - Kessler

REF	PART NO.	QTY	DESCRIPTION	REF	PART NO.	QTY	DESCRIPTION
1	7050618	1	Axle Housing	28	7050536	2	Brake Drum
2	7050518	1	Breather	29	7050537	4	Countersunk Hex Head Screw
3	7050519	1	Plug	30	7050633	1	Lever
4	7050520	1	Sealing Ring	31	7050634	1	Lever
5	7050619	2	Bushing	32	7050635	12	Hex Screw
6	7050620	2	Steering Knuckle	33	7050654	1	Plate-Cylinder Mt, LH
7	7050621	4	King Pin	34	7050655	12	Hex Screw
8	7050622	4	Bearing Bushing	35	7050638	4	Grease Zerk
9	7050623	2	Thrust Washer	36	7050639	1	Track Rod
10	7050624	2	Disk	37	7050640	2	Steering Cylinder
11	7050625	4	Bushing	38	7050641	4	Bolt
12	7050626	2	Circlip	39	7050642	4	Castellated Nut
13	7050627	4	Circlip	40	7050643	4	Disk
14	7050628	4	Radial Seal Ring	41	7050644	4	Roll Pin
15	7050629	4	Radial Seal Ring	42	7050540	8	Hexagon Socket Screw
16	7050630	2	Cardan Joint	43	7050651	1	Rod End-Track Arm
17	7050631	2	Wheel Hub	44	7050652	1	Plate-Cylinder Mt, RH
18	7050523	20	Wheel Stud	45	7050653	2	Castlellated Nut-Track Ar
19	7050531	2	Radial Seal Ring				
20	7050532	2	Radial Seal Ring				AR - As Required
21	7050539	34	Hexagon Socket Screw				
22	7050538	2	Brake Assembly				
23	7050533	4	Tapered Roller Bearing				
24	7050645	4	Grease Zerk				
25	7050632	2	Ring				
26	7050534	2	Nut				
27	7050535	2	Hex Socket Screw				

CHASSIS

Rear Axle - Kessler

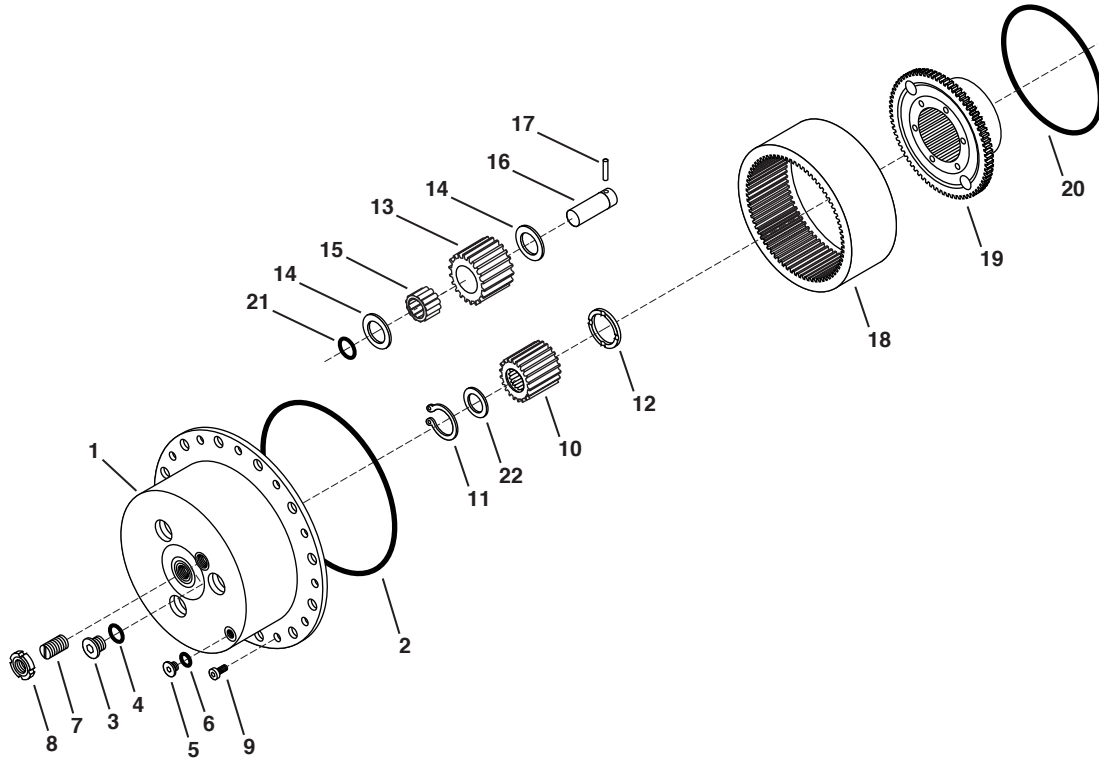


Rear Axle - Kessler

REF	PART NO.	QTY	DESCRIPTION	REF	PART NO.	QTY	DESCRIPTION
1	3111475	1	Axle Housing				
2	7050518	1	Breather				
3	7050519	1	Plug				
4	7050520	1	Sealing Ring				
5	7050521	2	Axle Shaft				
6	7050522	2	Wheel Hub				
7	7050523	20	Wheel Stud				
8	7050531	2	Radial Seal Ring				
9	7050532	2	Radial Seal Ring				
10	7050533	4	Tapered Roller Bearing				
11	7050534	2	Nut				
12	7050535	2	Hex Socket Screw				
13	7050536	2	Brake Drum				
14	7050537	4	Countersunk Hex Head Screw				
15	7050538	2	Brake Assembly				
16	7050539	34	Hexagon Socket Screw				
17	7050540	8	Hexagon Socket Screw				
			AR - As Required				

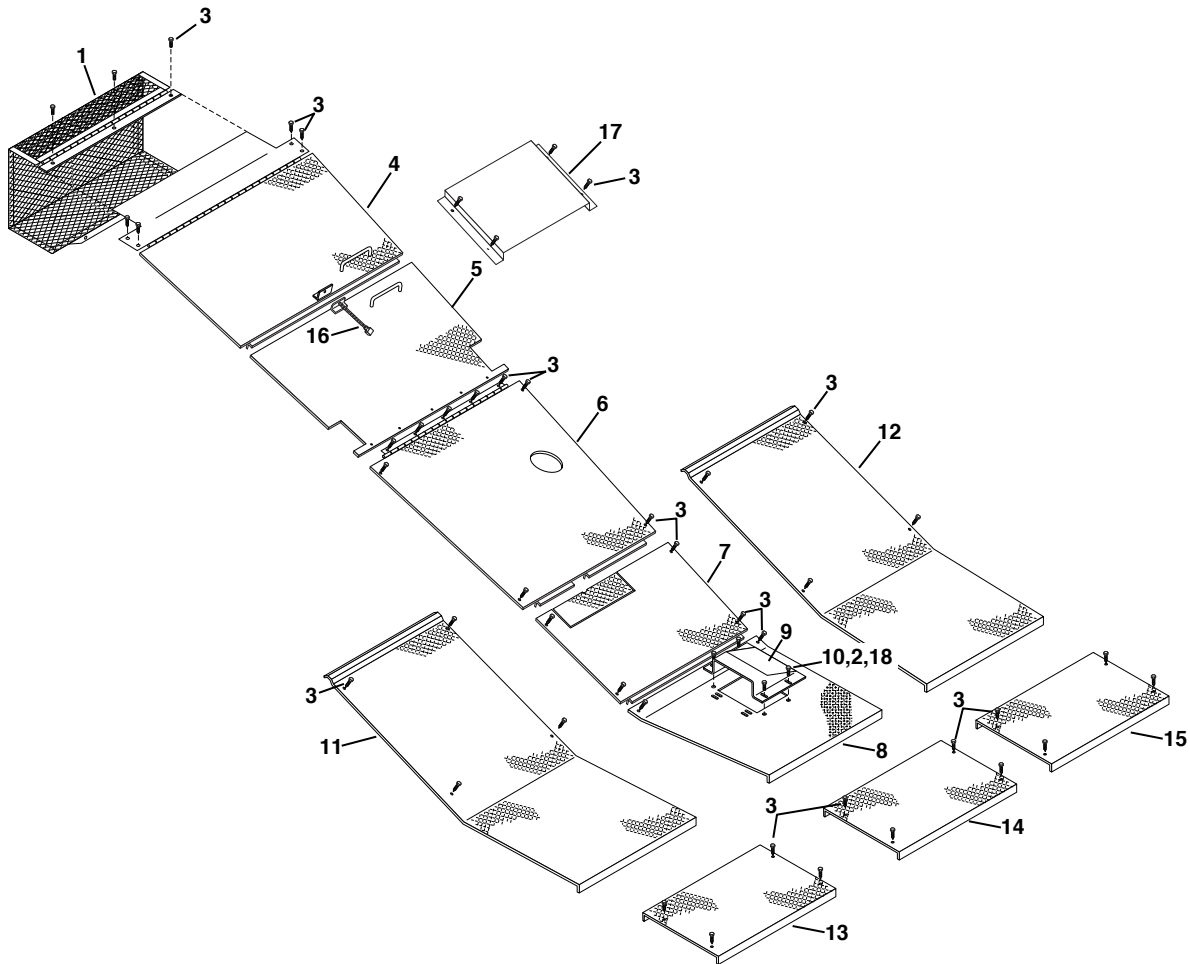
CHASSIS

Planetary Wheel End - Kessler



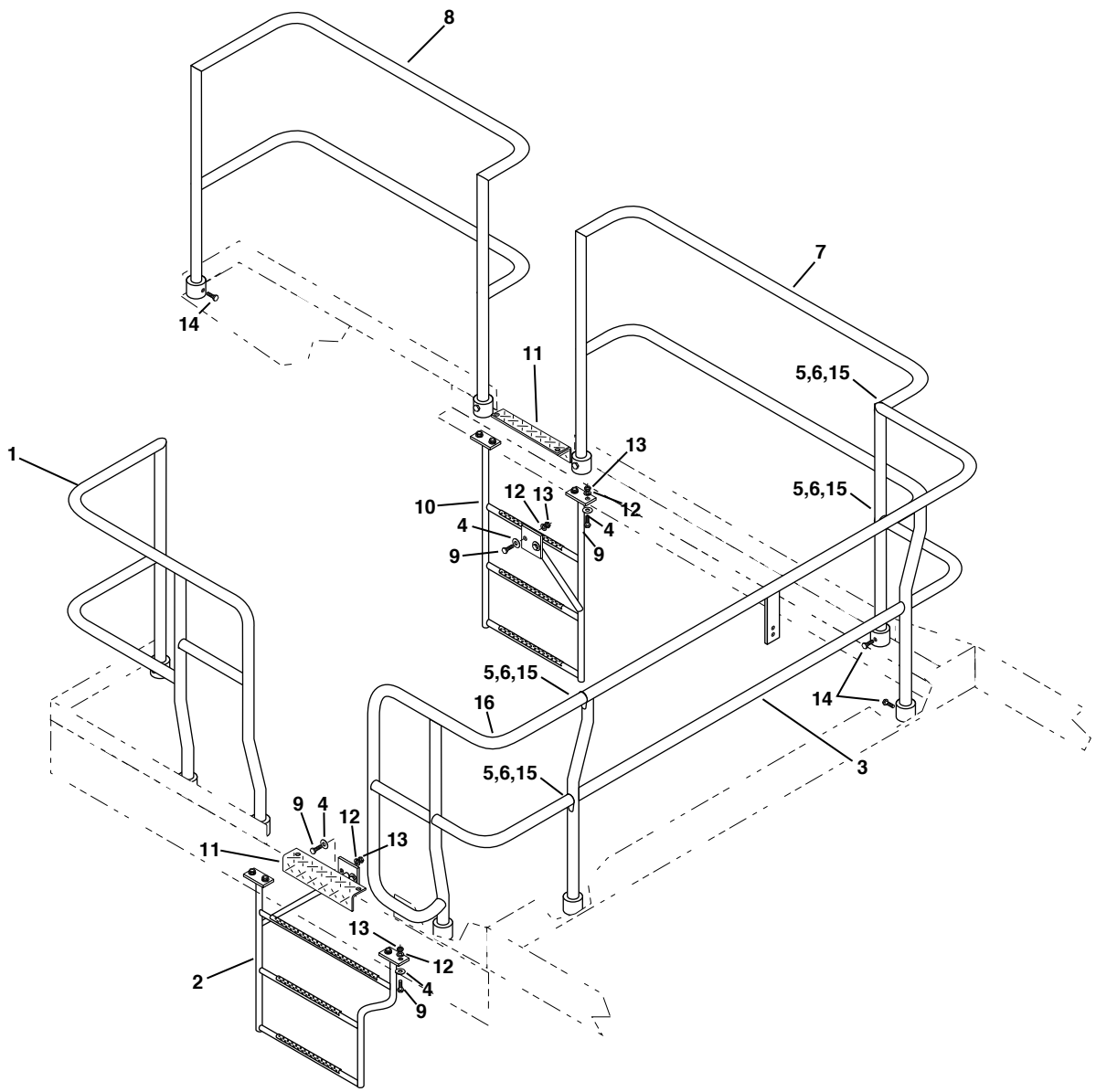
REF	PART NO.	QTY	DESCRIPTION	REF	PART NO.	QTY	DESCRIPTION
1	7050547	1	Planetary Housing	13	7050557	3	Planetary Gear
2	7050548	1	O-Ring	14	7050558	6	Thrust Washer
3	7050549	1	Screw Plug	15	7050559	3	Needle Bearing
4	7050550	1	Sealing Ring	16	7050560	3	Planetary Pin
5	7050519	1	Screw Plug	17	7050561	3	Locking Pin
6	7050520	1	Sealing Ring	18	7050562	1	Ring Gear
7	7050551	1	Adjusting Screw	19	7050563	1	Ring Gear Carrier
8	7050552	1	Slotted Nut	20	7050564	1	Circlip
9	7050553	6	Hexagon Adjusting Screw	21	7050565	3	O-Ring
10	7050554	1	Sun Gear	22	7050646	2	Thrust Washer
11	7050555	1	Circlip				
12	7050556	1	Thrust Ring				

Engine & Conveyor Covers & Decking K6230 & Up



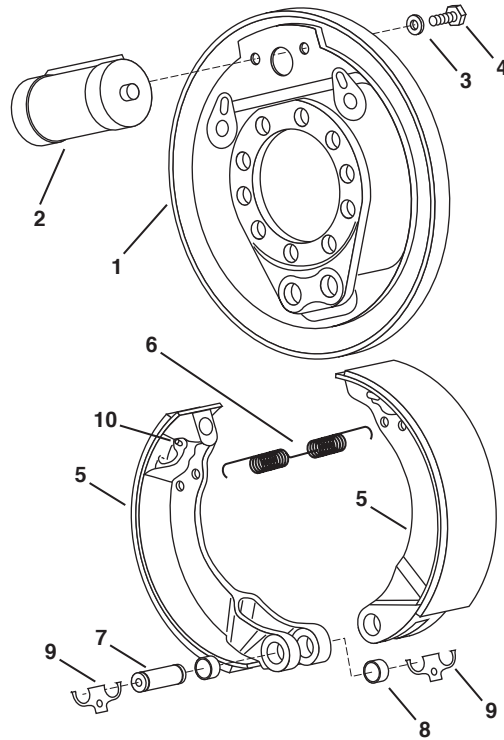
REF	PART NO.	QTY	DESCRIPTION	REF	PART NO.	QTY	DESCRIPTION
1	3102115	1	Cover/Grille Asm,Frt	9	3102213	1	Cover-Deck,E-Chain
2	0120386	4	Washer-Flat,0.25A,(0.31x0.73),PD	10	0121887	4	Screw-Hex,0.25NC x 0.75,GR2,PD
3	0448481	46	Screw-Hex Hd,3/8NC x 3/4,Selftap	11	3101916	1	Guard-Conveyor,LH,Hydro
4	3101915	1	Cover/Grille Asm-Conv Motors	12	3101917	1	Guard-Conveyor,RH,Hydro
5	3101909	1	Cover-Asm,Rad & Cool	13	3101994	1	Deck-Stl,Chair Rails,LH
6	3102334	1	Cover-Asm,Engine,Ctr,Cummins QSB	14	3101963	1	Deck-Stl,Between Chair Rails
	3102060	1	Cover-Asm,Engine,Ctr,Cummins BTA	15	3101995	1	Deck-Stl,Chair Rails,RH
7	3102192	1	Decking-Center Rear, Cummins QSB	16	6000544	1	Padlk-Mstr. Lk#500-C,W/Chain & Key
	3102016	1	Decking-Center Rear,Cummins BTA	17	3102001	1	Cover,Conveyor Front,RH
8	3102215	1	Decking-Center Frt,Asm	18	0120380	4	Washer-Lock,0.25,Spring,PD

Handrails And Ladders K6230 & Up



REF	PART NO.	QTY	DESCRIPTION	REF	PART NO.	QTY	DESCRIPTION
1	3102309	1	Handrail-Asm,Left Asm	10	3101335	1	Ladder Asm-24",RH Side,Hydro
2	3101549	1	Ladder Asm-Left Side,Hydro	11	3100222	2	Step-Rough Tread
3	3102312	1	Handrail Asm-Rear Catwalk	12	0120214	12	Washer-Lock,0.31,Spring,PD
4	0446363	13	Washer-Flat,0.31A(0.38 x 0.88)PD	13	0120376	12	Nut-Hex,0.31NC,PD
5	0122188	2	Screw-Hex,0.38NC x 2.25,GR2,PD	14	0120233	9	Screw-Hex,0.38NC x 1.00,GR2,PD
6	0120377	2	Nut-Hex,0.38NC,PD	15	0120382	2	Washer-Lock,0.38,Spring,PD
7	3102322	1	Handrail-Asm,Right Side,Rear	16	3102317	1	Handrail-Asm,Left,Rear
8	3102343	1	Handrail-Asm,Right Side,Front				
9	6001265	12	Screw-Hex,0.31NC x 1.00,GR8				

Brake Assembly - Kessler

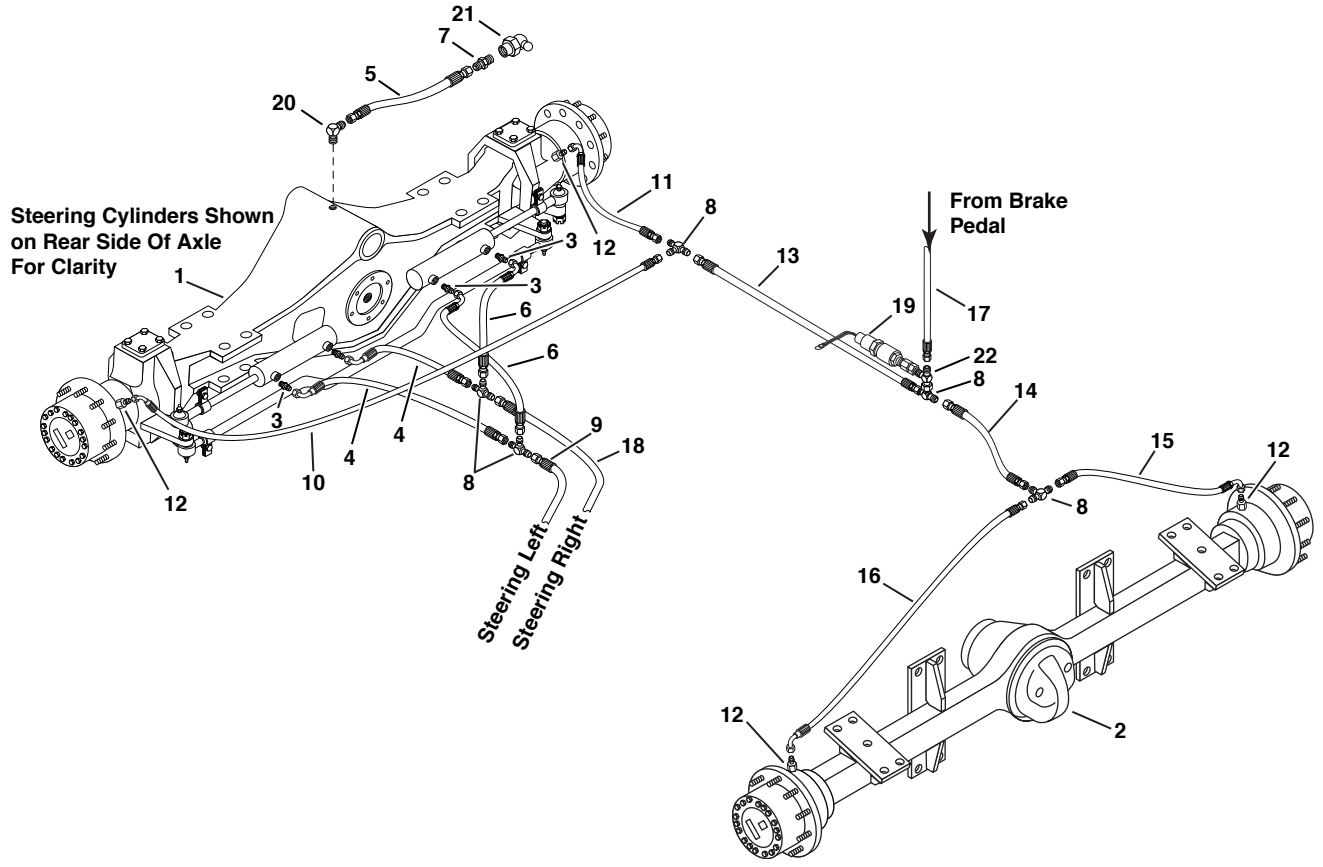


BRAKES

REF	PART NO.	QTY	DESCRIPTION	REF	PART NO.	QTY	DESCRIPTION
1	7050541	2	Brake Backing Plate				
2	7050542	2	Wheel Cylinder				
	7050957		Seal Kit				
	7050958		Bleeder Screw				
3	7050543	4	Spring Washer				
4	7050544	4	Hex Head Capscrew				
5	7050545	4	Brake Shoe				
6	7050546	2	Shoe Return Spring				
7	7050614	4	Shoe Pivot Pin				
8	7050615	8	Bearing Bushing				
9	7050616	2	Lock Plate				
10	7050617	4	Locking Pin				

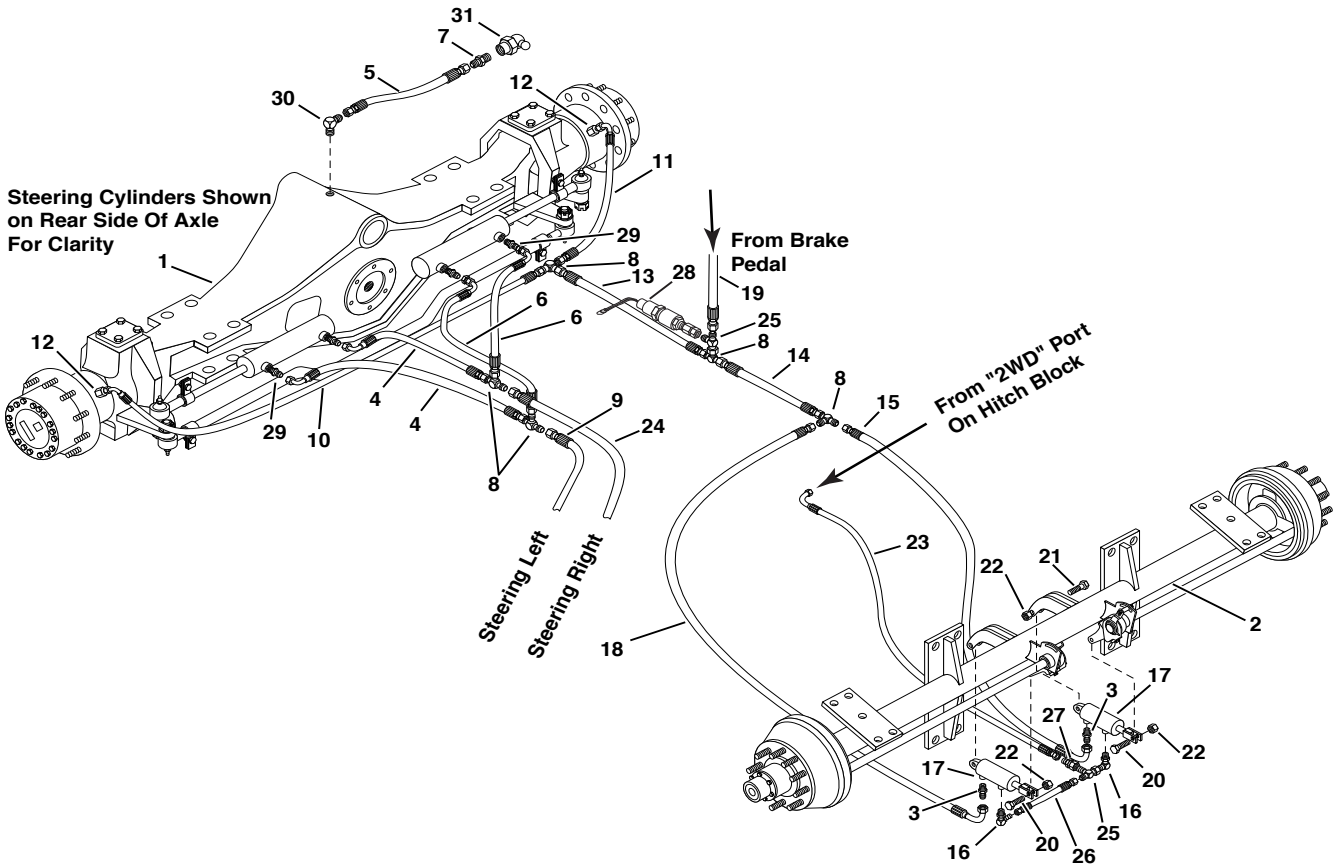
Brake and Steering Hoses 4WD - Kessler

BRAKES



REF	PART NO.	QTY	DESCRIPTION	REF	PART NO.	QTY	DESCRIPTION
1	3111467	1	Axle-Front,Drive	17	3181241	1	Hose Asm-06 x 162,06FJX-06FJX
2	3111475	1	Axle-Rear,Drive	18	3181450	1	Hose Asm-06 x 204,06FJX-06FJX90
3	6603558	4	Adapter-Hyd,St,M18-06MJ	19	3160723	1	Switch Assy-Brake Pressure
4	3181738	2	Hose Asm-06 x 48,06FJX90-06FJX	20	6603554	1	Elbow-Hyd,90,M10-04MJ
5	3181731	1	Hose Asm-04 x 20,04FJX-04FJX	21	0109462	1	Zerk-90,0.12NPT
6	3181739	2	Hose Asm-06 x 67,5,06FJX90-06FJX	22	6602984	1	Tee-Hydr,06MJ-06FJX-06MJ
7	6601142	1	Adapter-Hyd,ST,02MP-04MJ				
8	9402981	5	Tee-Hyd,06MJ-06MJ-06MJ				
9	3181436	1	Hose Asm-06 x 204,06FJX-06FJX90				
10	3181218	1	Hose Asm-06 x 59,06FJX-06FJX90				
11	3181736	1	Hose Asm-06 x 27,06FJX-06FJX90				
12	6603548	4	Adapter-Hyd,ST,M14-06MJ				
13	3181213	1	Hose Asm-06 x 70,06FJX-06FJX				
14	3181737	1	Hose Asm-06 x 38,5,06FJX-06FJX				
15	3181734	1	Hose Asm-06 x 28,5,06FJX-06FJX90				
16	3181735	1	Hose Asm-06 x 55,06FJX-04FJX90				

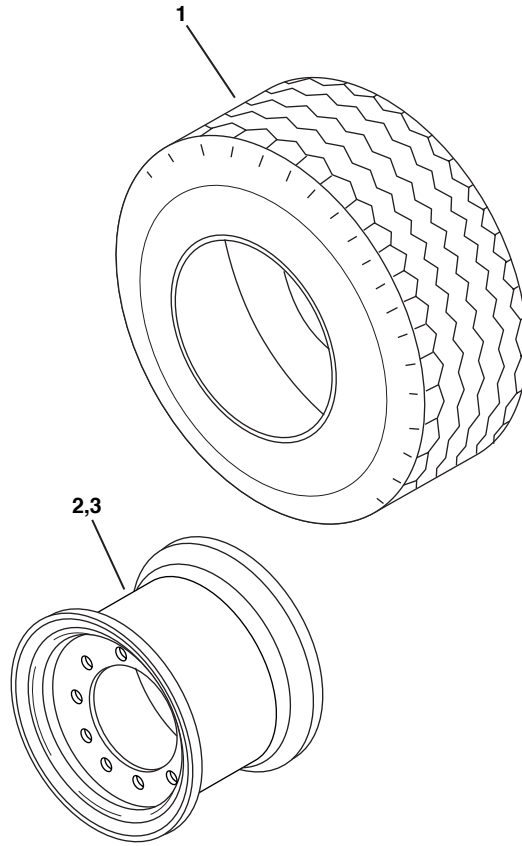
Brake and Steering Hoses 2WD - Kessler



BRAKES

REF	PART NO.	QTY	DESCRIPTION	REF	PART NO.	QTY	DESCRIPTION
1	3111467	1	Axle-Front,Drive	17	6602680	2	Cylinder-Hyd,3" Bore x 2" Stroke
2	3111485	1	Axle-25K,97" Track,22.5" Hubs	18	3181357	1	Hose Asm-04 x 36,04FJX-04FJX90
3	9410202	2	Adapter-Hyd,ST,06MJ-06MJ	19	3181241	1	Hose Asm-06 x 162,06FJX-06FJX
4	3181738	2	Hose Asm-06 x 48,06FJX90-06FJX	20	0186646	2	Screw-Hex,0.50NC x 2.00,GR2,PD
5	3181731	1	Hose Asm-04 x 20,04FJX-04FJX	21	0120236	2	Screw-Hex,0.50NC x 3.00,GR2,PD
6	3181739	2	Hose Asm-06 x 67.5,06FJX90-06FJX	22	9413947	4	Nut-Hex,Lock,0.44NC,PD
7	6601142	1	Adapter-Hyd,ST,02MP-04MJ	23	3181356	1	Hose Asm-06 x 32,06FJX-06FJX90
8	9402981	5	Tee-Hyd,06MJ-06MJ-06MJ	24	3181450	1	Hose Asm-06 x 204,06FJX-06FJX90
9	3181436	1	Hose Asm-06 x 204,06FJX-06FJX90	25	6602984	2	Tee-Hydr,06MJ-06FJX-06MJ
10	3181218	1	Hose Asm-06 x 59,06FJX-06FJX90	26	3181355	1	Hose Asm-06 x 16,06FJX-06FJX
11	3181736	1	Hose Asm-06 x 27,06FJX-06FJX90	27	6602707	1	Adapter-Hyd,ST,06FJX-04MJ
12	6603548	2	Adapter-Hyd,ST,M14-06MJ	28	3160723	1	Switch Assy-Brake Pressure
13	3181213	1	Hose Asm-06 x 70,06FJX-06FJX	29	6603558	4	Adapter-Hyd,St,M18-06MJ
14	3181214	1	Hose Asm-06 x 28,06FJX-06FJX	30	6603554	1	Elbow-Hyd,90,M10-04MJ
15	3181278	1	Hose Asm-06 x 20,06FJX-06FJX90	31	0109462	1	Zerk-90,0.12NPT
16	9410976	2	Elbow-Hyd,90,06MB-06MJ				

Tires And Wheels - Kessler
2WD and 4WD



REF	PART NO.	QTY	DESCRIPTION	REF	PART NO.	QTY	DESCRIPTION
1	6450767	4	Tire-385/65R22.5, 18 Ply, (2 & 4WD)				
2	3111469	4	Wheel Asm-Frt,22.5x12.25 (2 & 4WD)				
3	6450265	4	Valve-Tire, Tubeless, Truck				

INDEX									
Part No.	Page No.	Part No.	Page No.	Part No.	Page No.	Part No.	Page No.	Part No.	Page No.
0102582	13	0120388	16	3101549	40	3111482	17	3142510	13
0103347	9	0120390	11	3101909	39	3111485	43	3142547	13
0103373	30	0120426	11	3101915	39	3111492	21	3142548	13
0103374	11	0120706	11	3101916	39	3111493	19	3142549	13
0103411	9	0121574	19	3101917	39	3120953	9	3142587	13
0105413	15	0121574	21	3101963	39	3120964	9	3142589	13
0109462	29	0121887	30	3101987	11	3120978	11	3142600	13
0109462	42	0121887	39	3101994	39	3120979	11	3142601	13
0109462	43	0122007	13	3101995	39	3120981	11	3142602	13
0120214	9	0122017	9	3102001	39	3121014	9	3142603	13
0120214	11	0122145	11	3102016	39	3121710	30	3142606	13
0120214	13	0122145	13	3102022	11	3130055	29	3142608	13
0120214	29	0122145	30	3102039	29	3130083	29	3142609	13
0120214	40	0122188	40	3102040	29	3130095	29	3142610	13
0120233	9	0122333	19	3102060	39	3130395	29	3142624	13
0120233	11	0122408	13	3102068	11	3130398	29	3142625	13
0120233	13	0122459	13	3102095	9	3130402	29	3142626	13
0120233	19	0124589	19	3102115	39	3130422	29	3142627	13
0120233	20	0124589	29	3102164	15	3130424	29	3142628	13
0120233	20	0127960	29	3102165	15	3130552	29	3142637	13
0120233	29	0127962	29	3102166	15	3140083	13	3142772	16
0120233	40	0130999	29	3102192	39	3140094	29	3142774	13
0120236	43	0131000	9	3102213	39	3140243	13	3142774	16
0120333	13	0131000	11	3102215	39	3140244	13	3142777	16
0120376	9	0131046	9	3102304	11	3140245	13	3142778	16
0120376	11	0131046	11	3102305	11	3140246	13	3142779	13
0120376	13	0142868	29	3102307	11	3140247	13	3142779	16
0120376	29	0180183	29	3102308	11	3140248	13	3142780	13
0120376	40	0186646	29	3102309	40	3140249	13	3142780	16
0120377	9	0186646	43	3102312	40	3140401	13	3142782	13
0120377	11	0187870	16	3102317	40	3140402	13	3142790	13
0120377	13	0191966	29	3102322	40	3140404	13	3142791	13
0120377	13	0192042	15	3102334	39	3140596	13	3142792	13
0120377	16	0192042	29	3102336	19	3140645	13	3142793	13
0120377	19	0192086	29	3102343	40	3141190	13	3142794	13
0120377	20	0223022	13	3110033	13	3142167	13	3142798	13
0120377	29	0223515	21	3110054	13	3142297	16	3142864	30
0120377	40	0271501	19	3110993	19	3142316	13	3142954	30
0120378	11	0274253	25	3111420	19	3142317	13	3150760	9
0120378	29	0274253	25	3111440	19	3142365	13	3150764	9
0120380	30	0274993	30	3111441	19	3142366	13	3150812	9
0120380	39	0426099	9	3111459	19	3142397	13	3150823	9
0120382	9	0426099	11	3111462	19	3142397	15	3150824	9
0120382	11	0428715	19	3111464	19	3142468	13	3150833	7
0120382	19	0446363	9	3111465	19	3142469	13	3150834	7
0120382	20	0446363	13	3111467	19	3142470	13	3160042	30
0120382	29	0446363	40	3111467	42	3142471	13	3160190	30
0120382	40	0448481	39	3111467	43	3142472	13	3160655	7
0120383	13	0457008	9	3111469	44	3142486	16	3160669	7
0120383	19	0457008	29	3111470	19	3142501	13	3160670	7
0120384	11	3100096	29	3111471	19	3142502	13	3160671	7
0120384	13	3100174	29	3111472	19	3142503		3160677	7
0120384	25	3100222	40	3111475	19	3142504	13	3160678	7
0120384	29	3100334	30	3111475	32	3142505		3160679	7
0120386	39	3100343	30	3111475	37	3142506	13	3160702	7
0120388	11	3100475	16	3111475	42	3142507		3160722	7
0120388	13	3100566	13	3111476	33	3142508	13	3160723	42
		3101335	40	3111481	17	3142509	13	3160723	43

INDEX									
Part No.	Page No.	Part No.	Page No.	Part No.	Page No.	Part No.	Page No.	Part No.	Page No.
3160732	7	3181442	27	3183520	21	6435459	9	6602678	27
3160754	7	3181443	25	3183520	25	6435459	11	6602679	27
3160756	7	3181443	27	3330050	30	6435478	29	6602680	43
3160758	7	3181444	25	3350231	11	6435479	29	6602707	43
3160792	7	3181444	27	3350232	11	6445077	29	6602735	20
3160793	7	3181445	9	3370465	7	6450265	44	6602736	20
3160794	7	3181445	25	5430025	7	6450767	44	6602796	11
3160795	7	3181445	27	6000207	11	6600162	19	6602850	25
3160820	7	3181446	25	6000224	29	6600236	25	6602850	27
3160823	7	3181446	27	6000397	11	6600236	27	6602860	11
3160824	7	3181450	9	6000544	9	6600305	15	6602901	15
3160828	7	3181450	42	6000544	39	6600324	15	6602903	15
3160840	7	3181450	43	6000550	29	6600792	20	6602904	15
3160840	7	3181451	9	6000916	19	6600883	13	6602984	42
3160840	7	3181456	25	6000999	19	6600903	25	6602984	43
3160841	19	3181456	27	6001049	19	6600903	27	6603038	23
3160842	19	3181628	25	6001054	9	6600910	15	6603038	25
3160843	7	3181628	27	6001079	9	6600921	25	6603038	27
3160843	7	3181634	20	6001081	19	6600921	27	6603150	13
3170061	13	3181635	15	6001082	19	6601045	25	6603150	15
3180945	29	3181637	20	6001148	9	6601045	27	6603163	25
3181072	25	3181643	15	6001163	19	6601064	20	6603178	25
3181072	27	3181698	25	6001265	40	6601122	9	6603178	27
3181096	20	3181698	27	6001423	9	6601142	42	6603268	25
3181098	20	3181704	20	6001426	25	6601142	43	6603269	25
3181198	25	3181708	11	6001446	20	6601381	15	6603333	13
3181198	27	3181708	23	6001480	17	6601418	19	6603333	15
3181213	42	3181708	25	6001500	13	6601418	25	6603375	19
3181213	43	3181708	27	6001501	13	6601418	27	6603376	19
3181214	43	3181715	25	6001601	7	6601704	9	6603377	19
3181218	42	3181715	27	6001638	19	6601811	27	6603378	9
3181218	43	3181716	11	6001638	20	6602021	25	6603507	9
3181233	19	3181716	25	6001763	17	6602021	27	6603525	21
3181233	25	3181716	27	6001764	17	6602117	23	6603547	21
3181233	27	3181717	11	6100086	19	6602117	25	6603547	25
3181235	25	3181717	25	6100174	9	6602117	27	6603548	42
3181241	9	3181717	27	6100267	19	6602133	9	6603548	43
3181241	42	3181720	23	6100277	11	6602134	9	6603554	42
3181241	43	3181724	25	6100277	29	6602134	15	6603554	43
3181247	9	3181724	27	6100677	21	6602140	23	6603558	42
3181278	43	3181726	20	6100678	21	6602140	25	6603558	43
3181343	20	3181727	20	6400532	19	6602140	27	6603559	21
3181355	43	3181731	42	6400567	17	6602292	15	6603559	25
3181356	43	3181731	43	6400589	17	6602293	15	6603571	21
3181357	43	3181732	21	6400590	17	6602299	15	6603571	25
3181436	9	3181732	27	6400591	17	6602300	15	6603572	21
3181436	42	3181733	25	6400592	17	6602339	13	6603572	25
3181436	43	3181734	42	6400593	17	6602339	15	6603573	25
3181437	21	3181735	42	6401448	20	6602376	29	6603574	25
3181437	25	3181736	42	6420086	29	6602601	25	6603576	27
3181437	27	3181736	43	6420105	11	6602601	27	6603577	27
3181439	9	3181737	42	6420195	29	6602603	9	6700161	7
3181439	25	3181738	42	6420222	16	6602604	20	6700188	7
3181439	27	3181738	43	6420223	13	6602617	20	6700771	7
3181440	9	3181739	42	6420224	13	6602624	25	6700772	7
3181441	25	3181739	43	6420225	13	6602628	20	6700921	7
3181441	27	3181756	20	6430070	11	6602645	13	6701467	7
3181442	25	3181764	20	6430077	11	6602645	15	6701468	7

INDEX									
Part No.	Page No.	Part No.	Page No.	Part No.	Page No.	Part No.	Page No.	Part No.	Page No.
6701472	30	7050150	7	7050524	19	7050589	32	7050627	35
6701540	7	7050157	7	7050526	19	7050589	33	7050628	35
6702024	7	7050158	7	7050527	19	7050590	32	7050629	35
6702028	7	7050159	7	7050531	35	7050590	33	7050630	35
6702241	7	7050160	25	7050531	37	7050591	32	7050631	35
6702483	7	7050160	27	7050532	35	7050591	33	7050632	35
6702543	7	7050189	21	7050532	37	7050592	32	7050633	35
6702544	7	7050189	25	7050533	35	7050592	32	7050634	35
6702545	7	7050191	21	7050533	37	7050592	33	7050635	35
6702546	7	7050191	25	7050534	35	7050592	33	7050638	35
6702547	7	7050259	23	7050534	37	7050593	21	7050639	35
6702548	7	7050347	19	7050535	35	7050594	21	7050640	35
6702549	7	7050349	19	7050535	37	7050595	21	7050641	35
6702550	7	7050391	9	7050536	35	7050596	21	7050642	35
6702551	7	7050397	19	7050536	37	7050597	32	7050643	35
6703093	7	7050398	19	7050537	35	7050597	33	7050644	35
6703100	7	7050399	19	7050537	37	7050598	32	7050645	35
6703101	13	7050406	25	7050538	35	7050598	33	7050646	38
6703101	15	7050406	27	7050538	37	7050599	32	7050647	32
6703139	7	7050410	9	7050539	35	7050599	33	7050647	33
6703153	7	7050411	9	7050539	37	7050600	32	7050649	21
6703274	7	7050412	9	7050540	35	7050600	33	7050649	25
6703277	7	7050413	9	7050540	37	7050601	32	7050651	35
6703299	7	7050414	9	7050547	38	7050601	33	7050652	35
6703300	7	7050415	9	7050548	38	7050602	32	7050653	35
6703301	7	7050416	9	7050549	38	7050602	33	7050654	35
6703379	7	7050417	9	7050550	19	7050603	32	7050655	35
6703380	7	7050447	25	7050550	38	7050603	33	7050990	19
6703381	7	7050447	27	7050551	38	7050604	32	7051382	9
6703382	7	7050487	23	7050552	38	7050604	33	7215236	9
6703383	7	7050491	25	7050553	38	7050605	32	7215237	9
6703385	7	7050491	27	7050554	38	7050605	33	7420292	25
6703386	7	7050492	25	7050555	38	7050606	32	7420292	25
6703387	7	7050492	27	7050556	38	7050606	33	7420292	27
6703390	7	7050493	25	7050557	38	7050607	32	7430253	9
6703395	7	7050493	27	7050558	38	7050607	33	7430254	9
6703408	7	705050 4	17	7050559	38	7050608	32	7430255	9
6703502	7	7050500	7	7050560	38	7050608	33	7430256	9
6703503	7	7050505	17	7050561	38	7050609	32	7430257	9
6703571	7	7050506	17	7050562	38	7050609	33	7430258	9
6703670	21	7050507	23	7050563	38	7050610	32	7430259	9
6703687	7	7050508	23	7050564	38	7050610	33	7430260	9
6703722	7	7050509	23	7050565	38	7050611	32	7430261	9
7050056	25	7050510	23	7050567	32	7050611	33	9400207	19
7050056	27	7050511	23	7050567	33	7050612	32	9402711	20
7050089	25	7050512	23	7050568	32	7050612	33	9402981	42
7050089	27	7050518	35	7050568	33	7050613	32	9402981	43
7050090	25	7050518	37	7050569	32	7050613	33	9403314	20
7050090	27	7050519	35	7050569	33	7050617	41	9403374	25
7050127	29	7050519	37	7050570	32	7050618	35	9403374	27
7050128	29	7050519	38	7050570	33	7050619	35	9410200	11
7050136	25	7050520	35	7050571	32	7050620	35	9410200	21
7050136	27	7050520	37	7050571	33	7050621	35	9410200	23
7050137	25	7050520	38	7050572	32	7050622	35	9410200	25
7050137	27	7050521	37	7050572	33	7050623	35	9410200	27
7050138	25	7050522	37	7050586	23	7050624	35	9410202	23
7050138	27	7050523	35	7050588	32	7050625	35	9410202	25
7050149	7	7050523	37	7050588	33	7050626	35	9410202	27

INDEX

INDEX									
Part No.	Page No.	Part No.	Page No.	Part No.	Page No.	Part No.	Page No.	Part No.	Page No.
9410202	43								
9410203	23								
9410203	25								
9410203	27								
9410203	27								
9410207	25								
9410207	27								
9410280	23								
9410280	25								
9410280	27								
9410283	19								
9410285	25								
9410285	27								
9410309	19								
9410335	25								
9410335	27								
9410356	23								
9410976	9								
9410976	23								
9410976	25								
9410976	27								
9410976	43								
9410977	23								
9410977	25								
9410979	23								
9410979	25								
9411027	13								
9411027	16								
9411727	29								
9413947	43								
9414000	19								
9422850	19								
9437244	19								
PD10267	7								
PD10411	7								
PD10412	7								
PD10434	7								
Q444884	15								

