

---

---

PARTS SUPPLEMENT

---

---

SELF-PROPELLED CHIPSREADER  
INDIVIDUAL HOPPER GATE CONTROL

Control Box - Individual Hopper Gate Control ..... 3  
Individual Gate Control - Hopper ..... 4  
Hydraulic System - Individual Gate Control ..... 6  
Wiring Diagram - Individual Gate Control ..... 7

Supplement to ChipSpreader Parts Manual

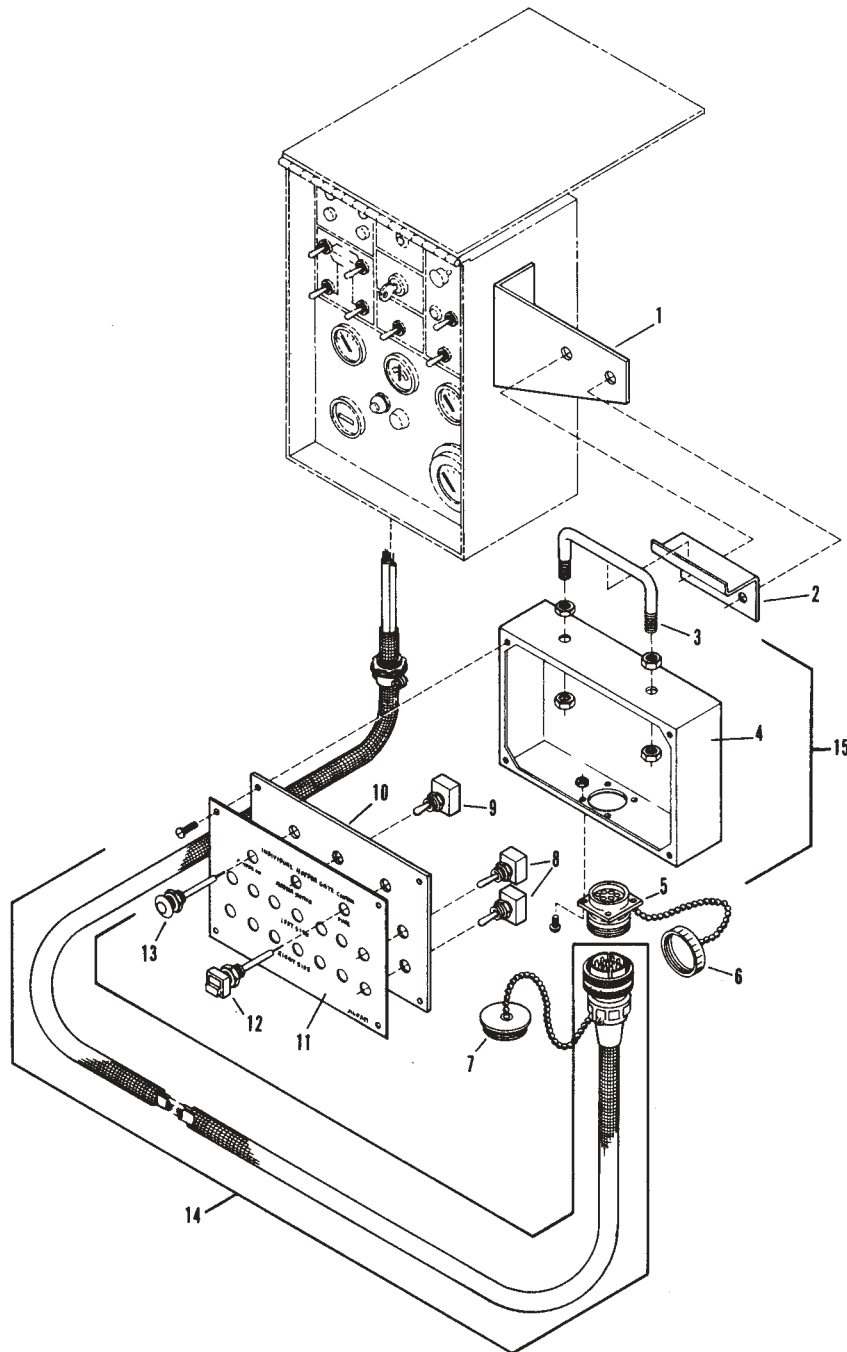
This Supplement is in addition to the information  
supplied in ChipSpreader Parts Manual



## Table Of Contents

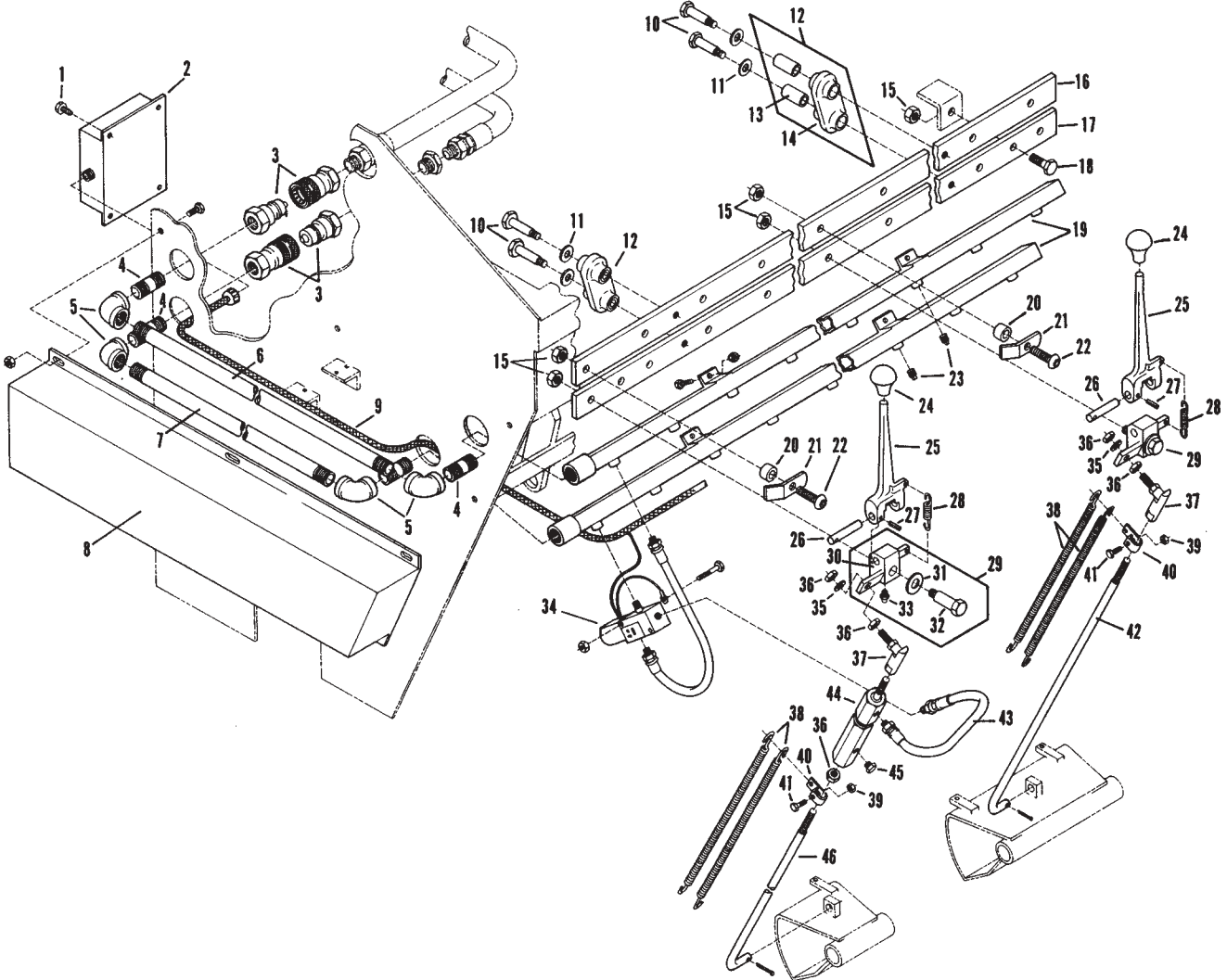
Control Box - Individual Gate Control .....	3
Individual Gate Control .....	4
Hydraulic System - Individual Gate Control .....	6
Wiring Diagram - Individual Gate Control .....	7

## Control Box - Individual Gate Control



REF.	PART NO.	QTY.	DESCRIPTION	REF.	PART NO.	QTY.	DESCRIPTION
1	3140681	1	Bracket-Control Box, Indiv. Gate (Inst. Panel)	11	3160341	1	Decal-Control Box
2	3140683	1	Bracket-Control Box, Indiv. Gate	12	3160040	1	Fuseholder-Buss, Panel Mounted
3	6701453	1	Handle-Bar, Carry	13	6701465	1	Fuse-30 Amp
4	6700831	1	Box-Panel	14	6700072	1	Light-Pilot, Red
5	3160285	1	Connector Asm-Female	15	3160332	1	Cord Asm-Indiv. Gate Cont., 2 FT (Used when control box is attached to instrument panel)
6	3160287	1	Cap-Internal Thread, AMPH 9760-28				
7	3160288	1	Cap-External Thread, AMPH 9760-28P		3160333	1	Cord Asm-Indiv. Gate Cont., 15 FT (Used for "walkaround" operation of gates)
8	6700255	14	Switch-Toggle, 20 Amp, Single Pole				
9	6701734	1	Switch-Toggle, SPDT, 20 Amp, Env.				
10	3160342	1	Plate-Toggle Mounting		3160334	1	Control Box Asm-Individual Gate Control (Includes items 3, 4, 5, and 8 thru 13)

# Individual Gate Control

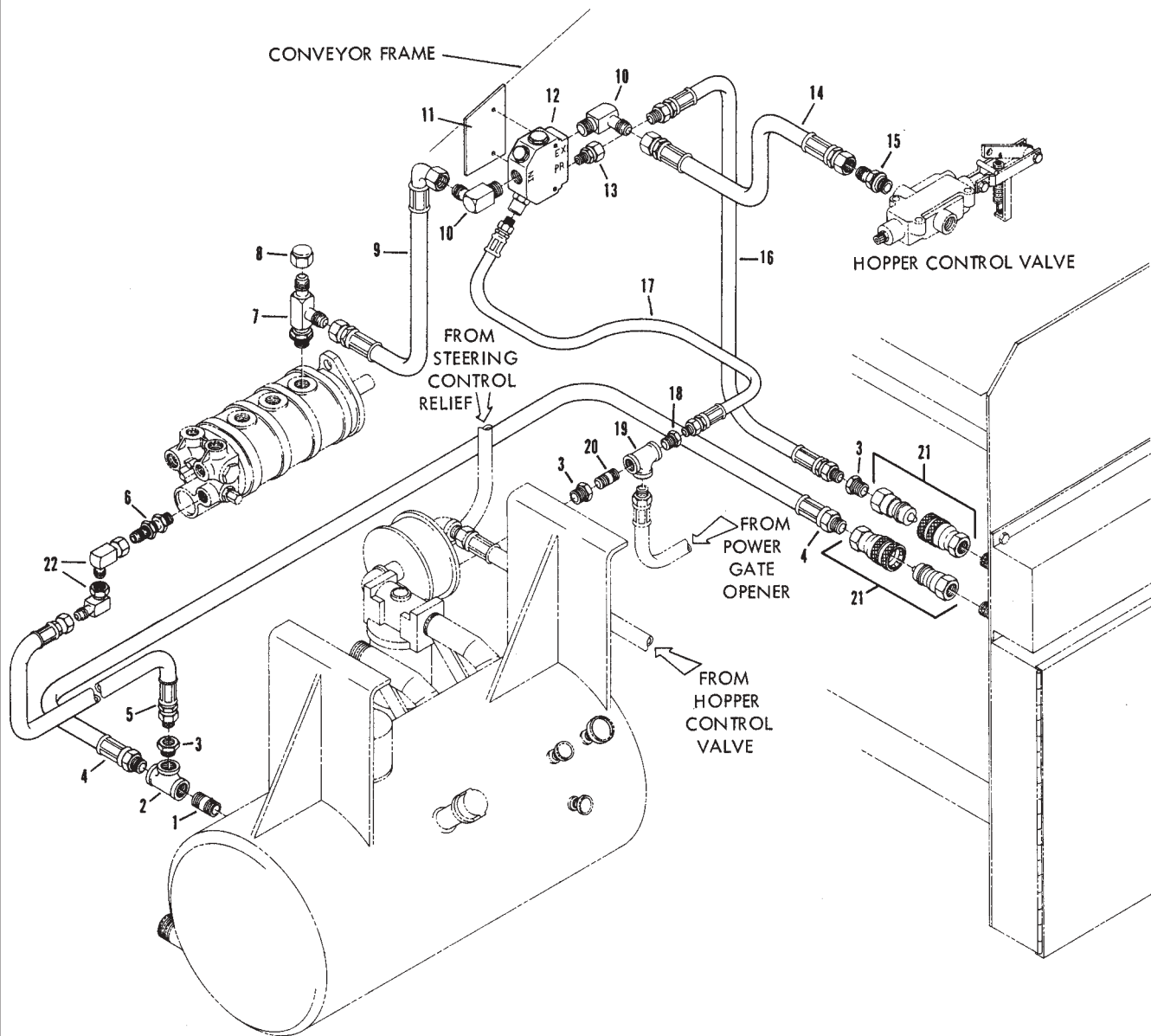


## Individual Gate Control

REF.	PART NO.	QTY.	DESCRIPTION	REF.	PART NO.	QTY.	DESCRIPTION
1	6000550	4	Screw-HXHD, TEK3, 0.25-14x.75				
2	3160335	1	Junction Box-Indiv. Gate Cont.				
3	6600363	2	Coupling - Push/Pull				
4	0190724	4	Nipple-PP, SCH40, 0.75x4.00				
5	0119099	4	Elbow-Pipe, 90, 0.75NPT, PN				
6	6200599	1	Pipe-SCH40, 0.75x30.38LG, TBE				
7	6200600	1	Pipe-SCH 40, 0.75x28 LG, TBE				
8	3140672	1	Cover-Hyd Lines, Indiv. Gate Cont.				
9	3160336	1	Harness-Wiring, Indiv. Gate Cont.				
10	3140298	AR	Bolt-Shoulder, Gate Link				
11	0131016	AR	Washer-Flat, 0.62, PD				
12	3140289	AR	Linkage Asm- Gate Bar				
13	3140288	AR	Bushing- Gate Bar				
14	3140287	AR	Link- Gate Bar				
15	9411727	AR	Nut-Hex, Lock, 0.50NC, PD				
16	3140290	1	Bar-Gate, Top, 10 Ft				
	3140291	1	Bar-Gate, Top, 11 Ft				
	3140292	1	Bar-Gate, Top, 12 Ft				
	3140293	1	Bar-Gate, Top, 13 Ft				
	3140423	1	Bar-Gate, Top, 14 Ft				
17	3140294	1	Bar-Gate, Bottom, 10 Ft				
	3140295	1	Bar-Gate, Bottom, 11 Ft				
	3140296	1	Bar-Gate, Bottom, 12 Ft				
	3140297	1	Bar-Gate, Bottom, 13 Ft				
	3140424	1	Bar-Gate, Bottom, 14 Ft				
18	0120426	AR	Screw-Hex, 0.50NC x 1.25, GR2, PD				
19	3140668	2	Manifold Asm-Gate Cont., 10 Ft				
	3140669	2	Manifold Asm-Gate Cont., 11 Ft				
	3140670	2	Manifold Asm-Gate Cont., 12 Ft				
	3140671	2	Manifold Asm-Gate Cont., 13 Ft				
	3140672	2	Manifold Asm-Gate Cont., 14 Ft				
20	3140303	AR	Spacer-Gate Lever Latch				
21	3140372	AR	Latch Plate-Gate Lever				
22	3100293	AR	Screw-Unbrako Button, 0.50NCx2				
23	0219190	AR	Plug-Pipe, SQ HD, 0.25NPT, PD				
24	3140029	AR	Knob-Rubber				
25	3140194	AR	Yoke-Gate Lever				
26	3140324	AR	Pin-Gate Latch				
27	0455481	AR	Pin-Spring, 0.19 x 1.00, HV, PN				
28	3140323	AR	Spring-Gate Latch				
29	7215020	AR	Pivot & Bolt Set - Hopper				
30	3140193	AR	Arm-Gate Pivot				
31	6100028	AR	Washer-Wrought, 1.5 x 0.64 x 14GA				
32	3140574	AR	Bolt-Pivot Asm				
33	9411027	AR	Fitting-Lube, Stght x 0.50, Typ C				
34	6601488	AR	Valve-Solenoid, Hyd, 12V DC				
35	0120383	AR	Washer-Lock, 0.44, Spring, PD				
36	0272123	AR	Nut-Hex, Jam, 0.44NF, PD				
37	6100126	AR	Joint-Ball, 0.44NF				
38	3360269	AR	Spring-Gate Linkage				
39	9413946	AR	Nut-Hex, Lock, 0.25NC, PD				
40	3140492	AR	Clip-Spring, Adjustable				
41	0121893	AR	Screw-Hex, 0.25NCx0.88, GR2, PD				
42	3140563	AR	Linkage-Gate, Frt Hpr, Manual				
43	6601489	AR	Hose Asm - 04x20, 04MPX-04MPX				
44	6601490	AR	Cylinder-Gate, Front Hopper				
45	6601548	AR	Breather Vent - 0.25In				
46	3140674	AR	Linkage-Gate, Frt Hpr, Hyd				

AR = As Required

## Hydraulic System - Individual Gate Control



REF.	PART NO.	QTY.	DESCRIPTION	REF.	PART NO.	QTY.	DESCRIPTION
1	0125987	1	Nipple-PP, 0.75 x 1.75, PN	12	6601487	1	Valve-Flow Divider, Pri - 2 GPM
2	0125988	1	Tee-Pipe, 0.75NPT, PN	13	6601534	1	Adapter-Hydr, ST, 06MP-08FPX
3	0144034	3	Bushing-Pipe, 0.75x0.50NPT, PN	14	6601213	1	Hose Asm- 12 x 18, 12FJX-12FJX
4	4470219	1	Hose Asm-12x120, 12MP-12MP	15	9410205	1	Adapter-Hydr, ST, 12MB-12MJ
5	6601701	1	Hose-Priority Rlf to Resvr	16	6601297	1	Hose Asm-08x120, 8MPX-8MPX
6	9403255	1	Adapter-Hydr,BHD, ST, 08MJ-08M J	17	6601300	1	Hose Asm-06x20, 06MPX-06MPX
7	9411120	1	Tee-Hydr, 12MB-12MJ-12MJ	18	0142269	1	Bushing-Pipe, 0.50x0.38NPT, PN
8	9403374	1	Cap-Hydraulic, 37 Deg. Fl, 0.75	19	0138105	1	Tee-Pipe, 0.50NPT, PN
9	6601481	1	Hose-Pressure, Pump to Valve	20	0141504	1	Nipple-Pipe, 0.50NPT x 1.50LG, PN
10	9402867	2	Elbow-Hydr, 90, 12MJ-12MP	21	6600363	2	Coupling-Push/Pull (set)
11	3140684	1	Bracket-Valve, Prior, Indiv. Gate	22	9410281	2	Elbow-Hydr, 90, 08FJX-08MJ

