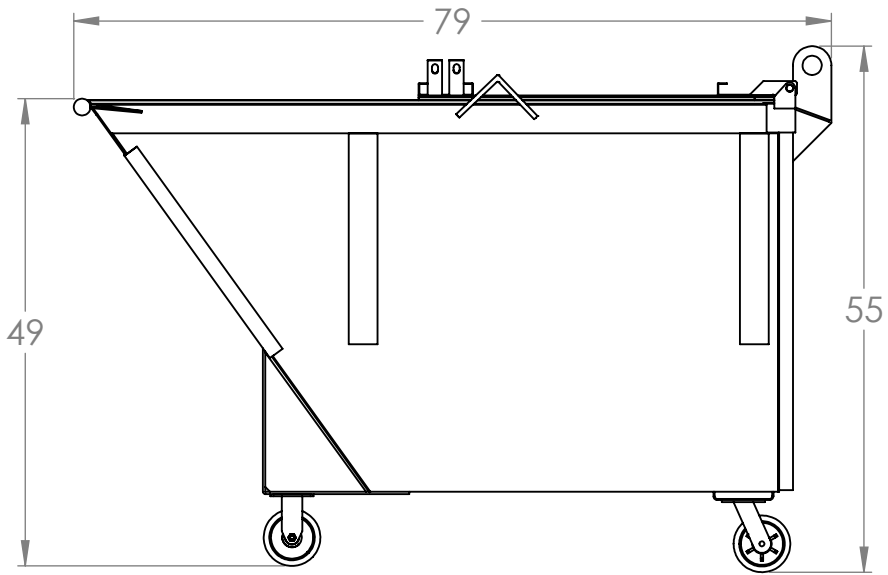
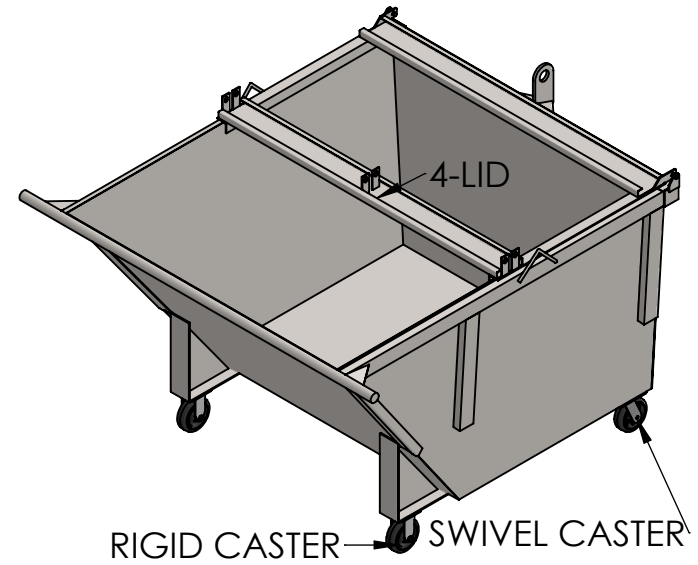


2



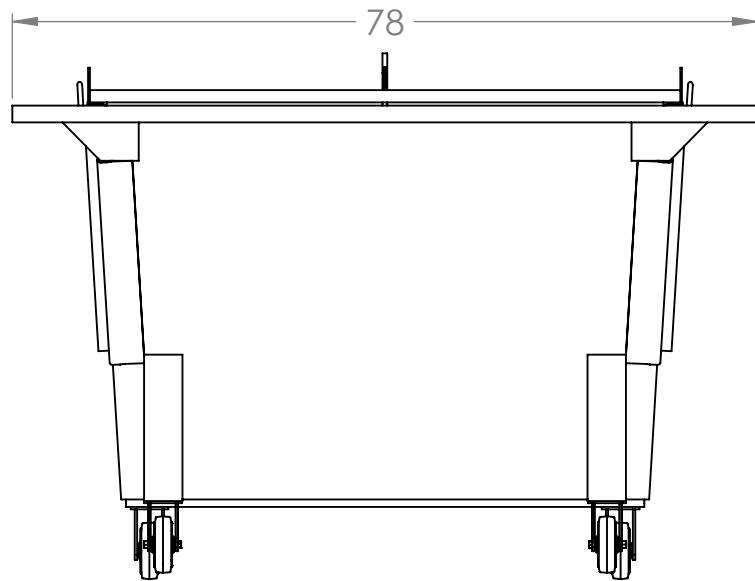
B

1

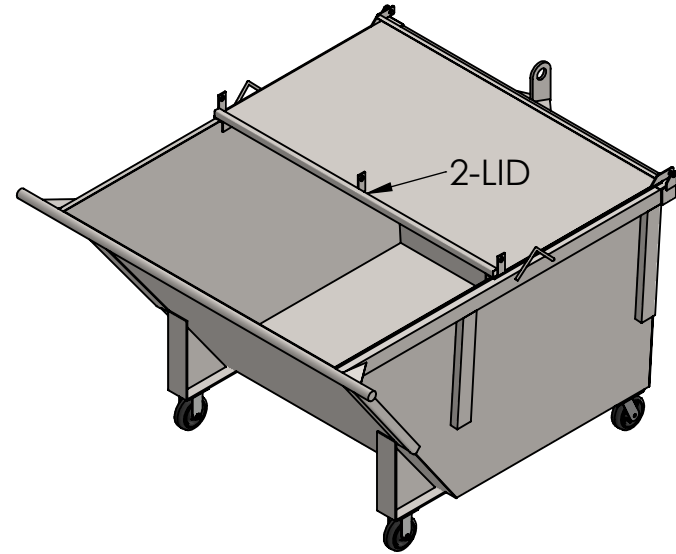


B

A



A



POYNETTE IRONWORKS

PROPRIETARY AND CONFIDENTIAL		TITLE:	
THE INFORMATION CONTAINED IN THIS DRAWING IS THE SOLE PROPERTY OF POYNETTE IRONWORKS. ANY REPRODUCTION IN PART OR AS A WHOLE WITHOUT THE WRITTEN PERMISSION OF POYNETTE IRONWORKS IS PROHIBITED.		UNLESS OTHERWISE SPECIFIED:	
DIMENSIONS ARE IN INCHES		PART NO:	
TOLERANCES:		3 RLST-4 LID / 2 LID	
FRACTIONAL		SIZE	
WEIGHT ±1/2		A	
MATERIAL		DESIGNED BY:	
		DATE:	
		3/26/2020	
		REV	
		-	
SCALE: 1:20		WEIGHT: 680	
		SHEET 1 OF 1	

2

1