

Supersedes Supplements No. M-208-2-93R  
M-208-2-93  
M-208-2-92  
M-208-3-93

Units with Serial Numbers K-5126 to  
K-5253 (2WD) and K-5262 (4WD)

# PARTS SUPPLEMENT

## Hydrostatic ChipSpreader with Standard Spread Hopper, 2WD and 4WD



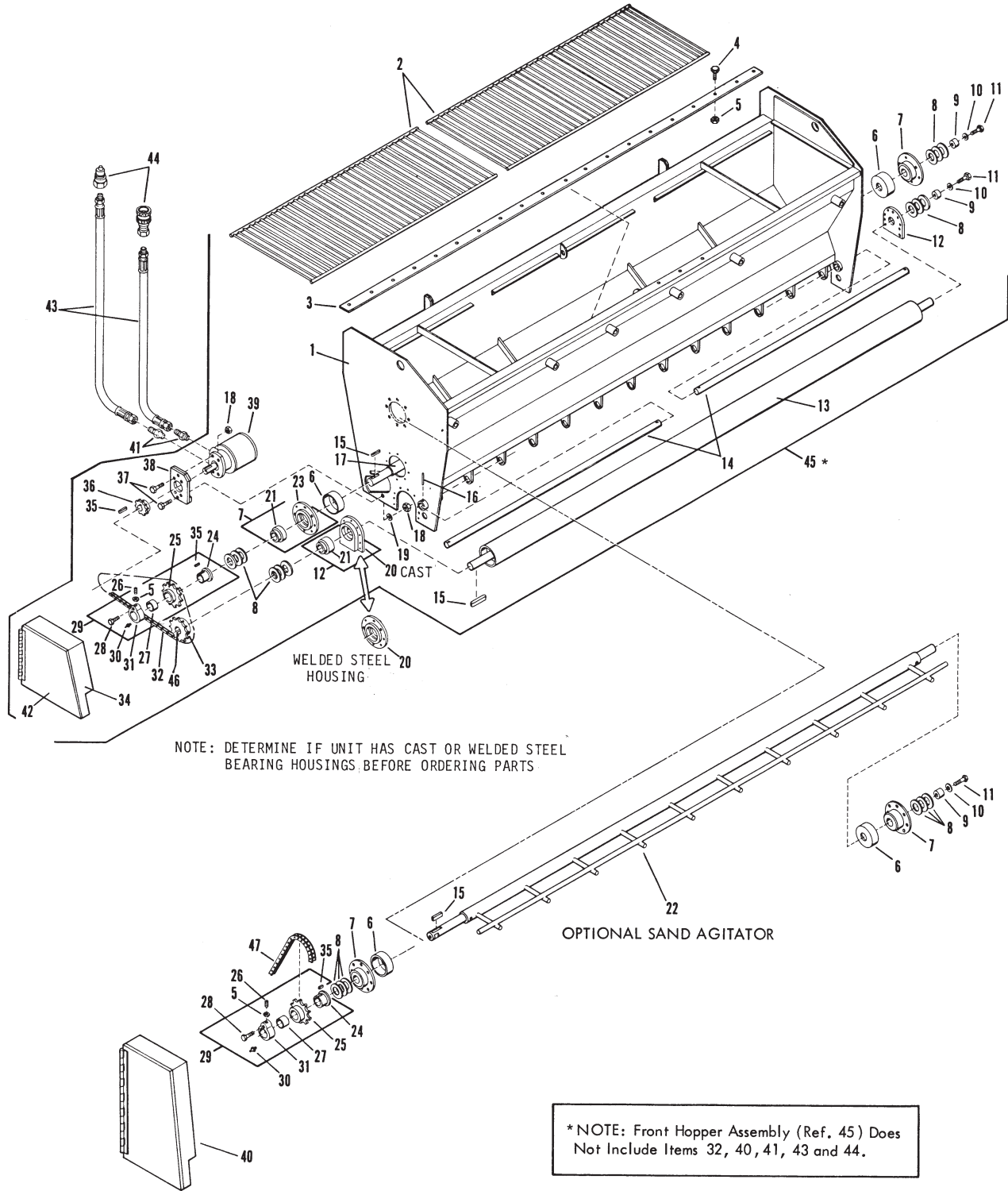
This supplement contains repair parts information for Etnyre Hydrostatic Drive ChipSpreaders with Standard Hoppers, 2WD or 4WD models.

Hydraulic Control Assemblies - 2 and 4 Wheel Drive (JOHN DEERE WHEEL MOTORS)  
Rear Wheel Drive Systems - 2 and 4 Wheel Drive  
Spread Hopper Assembly - Frame and Drive

Spread Hopper - Frame And Drive ..... 2  
Rear Drive Axle - 2 WD S/N K-5126 thru K-5253 ..... 4  
Rear Drive Axle - 4 WD S/N K-5126 thru K-5262 ..... 6  
Front Axle Assembly - 4 WD S/N K-5126 thru K-5262 ..... 8  
Rear Wheel Drive 2WD & 4WD w/o Diff Lock ..... 10  
Rear Wheel Drive - 2 WD w/Diff Lock S/N K5254 & Up.. 11  
Rear Wheel Drive - 4WD w/Diff Locks S/N K-5263 & Up 12  
Front Axle Assembly - 4 WD S/N K-5263 & Up ..... 13  
Hydraulic Pump Drive ..... 14  
Conv Controls w/o Pwr Seat Thru S/N K-5169 ..... 15  
Conv Controls w/o Pwr Seat S/N K-5170 thru K-5262 ... 16  
Conveyor Controls w/ Power Seat ..... 17  
Hydraulic Cont Assy - 2 WD S/N K-5126 Thru K-5130 ... 18  
Hydraulic Cont Assy - 4 WD S/ N K-5126 Thru K-5130 .. 19  
Hydraulic Cont Assy - 2 WD S/N K-5131 thru K-5253 .... 20  
Hydraulic Cont Assy 2WD S/N K-5254 thru K-5262 ..... 22  
Hydraulic Cont Assy - 4 WD S/N K-5131 thru K-5262 .... 23  
Hydraulic Cont Assy - 4 WD S/N K-5241 thru K-5262 .... 24  
Engine Accessories - Cummins Engines ..... 25  
Engine Accessories - CAT Engines ..... 26  
Reporting Safety Defects ..... 27

# Spread Hopper - Frame And Drive

S/N K-5126 to K-5253(2WD) And K-5262 (4WD)



**Spread Hopper - Frame And Drive**  
**S/N K-5126 to K-5253(2WD) And K-5262 (4WD)**

REF.	PART NO.	QTY.	DESCRIPTION	REF.	PART NO.	QTY.	DESCRIPTION
1			UNITS WITH CAST BEARING HOUSING	18	9411727	AR	NUT-HEX, LOCK, 0.50NC
	3140602	1	FRAME-HOPPER, 10 FT	19	0120390	4	WASHER-FLAT, 0.50, PD
	3140603	1	FRAME-HOPPER, 11 FT	20	3140685	2	HOUSING-CAR BRG (UNITS WITH CAST BEARING HOUSING)
	3140604	1	FRAME-HOPPER, 12 FT	20	3141224	2	HOUSING ASM-SPREADROLL (UNITS WITH WELDED STEEL HOUSING)
	3140605	1	FRAME-HOPPER, 13 FT	21	3140083	4	BEARING - AG ROLL, SC-25
	3140606	1	FRAME-HOPPER, 14 FT	22			UNITS WITH CAST BEARING HOUSING
			WELDED STEEL HOUSING	3140616	1		AGITATOR ASM-SAND, 10 FT
	3141210	1	FRAME ASM-HOPPER, 10 FT	3140617	1		AGITATOR ASM-SAND, 11 FT
	3141211	1	FRAME ASM-HOPPER, 11 FT	3140618	1		AGITATOR ASM-SAND, 12 FT
	3141212	1	FRAME ASM-HOPPER, 12 FT	3140619	1		AGITATOR ASM-SAND, 13 FT
	3141213	1	FRAME ASM-HOPPER, 13 FT	3140620	1		AGITATOR ASM-SAND, 14 FT
	3141214	1	FRAME ASM-HOPPER, 14 FT				WELDED STEEL HOUSING
	3141219	1	FRAME ASM-HOPPER, 15 FT	3141182	1		AGITATOR ASM - SAND, 10 FT
2	3140113	2	GRATE-FRONT HOPPER, 10 FT	3141183	1		AGITATOR ASM - SAND, 11 FT
	3140114	2	GRATE-FRONT HOPPER, 11 FT	3141184	1		AGITATOR ASM - SAND, 12 FT
	3140115	2	GRATE-FRONT HOPPER, 12 FT	3141185	1		AGITATOR ASM - SAND, 13 FT
	3140116	2	GRATE-FRONT HOPPER, 13 FT	3141186	1		AGITATOR ASM - SAND, 14 FT
	3140430	2	GRATE-FRONT HOPPER, 14 FT	23	3140038	AR	HOUSING-AG SHAFT BRG (UNITS WITH CAST BEARING HOUSING)
3	3140364	1	PLATE-STOP, 10 FT		3141224	AR	HOUSING ASM - AGITATOR (UNITS WITH WELDED STEEL HOUSING)
	3140365	1	PLATE-STOP, 11 FT	24	3140244	AR	HOUSING-MALE DISCONNECT
	3140366	1	PLATE-STOP, 12 FT	25	3140246	AR	SPROCKET-AGIT SHAFT DISCONNECT
	3140367	1	PLATE-STOP, 13 FT	26	0223022	AR	SCREW-SOCK, 0.25NCX0.62,HFDG,PN
	3140442	1	PLATE-STOP, 14 FT	27	3140247	AR	BEARING-AGIT SHAFT DISCONNECT
4	0121887	AR	SCREW-Hex, 0.25NC X 0.75, GR2	28	3140248	AR	BOLT-AGIT SHAFT DISCONNECT
5	9413946	AR	NUT-HEX, LOCK, 0.25NC, PD	29	3140243	AR	DISCONNECT-AGITATOR, ASM
6	3140030	AR	HOUSING-BELL (UNITS WITH CAST BEARING HOUSING)	30	9411027	AR	FITTING-LUBE,0.25NPT, STGHT
	3141190	AR	HOUSING-BELL (UNITS WITH WELDED STEEL BEARING HOUSING)	31	3140245	AR	HOUSING-FEMALE DISCONNECT
7	3140396	AR	HOUSING ASM-AGITATOR (UNITS WITH CAST BEARING HOUSING)	32	3140582	1	CHAIN-ROLLER, NO.80, 47 LINKS
	3141224	AR	HOUSING ASM-AGITATOR (UNITS WITH WELDED STEEL HOUSING)	33	3140249	1	SPROCKET-HPR DR, NO.80QZZ
8	3140401	AR	SPACER-0.06 IN, HOPPER	34	3140639	1	SIDE PLATE-HOPPER CHAIN GUARD
	3140402	AR	SPACER-0.12 IN, HOPPER	35	3110033	2	KEY-0.38X0.38X1.25 LG
	3140403	AR	SPACER,0.38 IN, HOPPER	36	3140596	1	SPROCKET-HYD MOTOR, HOPPER
9	3140404	AR	DISC-SHAFT, END, HOPPER	37	0122459	6	SCREW-HEX,0.50NC X 2.00, GR2
10	0120384	AR	WASHER-LOCK,0.50, SPRING	38	3140587	1	MOUNT ASM-HYD MOTOR
11	0122408	AR	SCREW-HEX,0.50NC X 1.00, GR2	39	6600883	1	MOTOR-HYDRAULIC, HOPPER DRIVE
12	3140686	2	HOUSING-SPREAD ROLL	7420152	1		KIT-REPAIR, SEAL, CONV&HPR MOTOR
13			UNITS WITH CAST BEARING HOUSING	40	3140627	1	GUARD-CHAIN (UNITS W/OPTIONAL SAND AGITATOR)
	3140096	1	ROLL- 10 FT SPREAD ASM	41	6600910	2	CONNECTOR-STGHT,0.75FLX0.62 O-RG
	3140097	1	ROLL- 11 FT SPREAD ASM	42	3140638	1	DOOR ASM-HOPPER CHAIN GUARD
	3140018	1	ROLL- 12 FT SPREAD ASM	43	6601205	2	HOSE-PRESS, COUPLING TO HPR MTR
	3140098	1	ROLL- 13 FT SPREAD ASM	44	6600363	1	COUPLING-PUSH/PULL, SET
	3140437	1	ROLL- 14 FT SPREAD ASM	* 45			UNITS WITH CAST BEARING HOUSING
			WELDED STEEL HOUSING	3140640	1		HOPPER ASM-FRONT, HYD, 10 FT
	3141154	1	ROLLER-SPREAD, 10 FT	3240641	1		HOPPER ASM-FRONT, HYD, 11 FT
	3141156	1	ROLLER-SPREAD, 11 FT	3140642	1		HOPPER ASM-FRONT, HYD, 12 FT
	3141158	1	ROLLER-SPREAD, 12 FT	3140643	1		HOPPER ASM-FRONT, HYD, 13 FT
	3141160	1	ROLLER-SPREAD, 13 FT	3140644	1		HOPPER ASM-FRONT, HYD, 14 FT
	3141162	1	ROLLER-SPREAD, 14 FT				WELDED STEEL HOUSING
	3141164	1	ROLLER-SPREAD, 15 FT	3141199	1		HOPPER ASSEMBLY - 10 FT
14	3140066	2	SHAFT-GATE, 10 FT	3141200	1		HOPPER ASSEMBLY - 11 FT
	3140065	2	SHAFT-GATE, 11 FT	3141201	1		HOPPER ASSEMBLY - 12 FT
	3140063	2	SHAFT-GATE, 12 FT	3141202	1		HOPPER ASSEMBLY - 13 FT
	3140064	2	SHAFT-GATE, 13 FT	3141203	1		HOPPER ASSEMBLY - 14 FT
	3140426	2	SHAFT-GATE, 14 FT	3141204	1		HOPPER ASSEMBLY - 15 FT
15	3170061	AR	KEY-0.38X0.38X2.00 LG	3141205	1		HOPPER ASM - WITH SAND AGITATOR, 10FT
16	6100106	2	PIN-SPRING, 0.31X2.00	3141206	1		HOPPER ASM-WITH SAND AGITATOR, 11FT
17			UNITS WITH CAST BEARING HOUSING	3141207	1		HOPPER ASM-WITH SAND AGITATOR, 12FT
	3140079	1	AGITATOR ASM- 10 FT	3141208	1		HOPPER ASM-WITH SAND AGITATOR, 13FT
	3140078	1	AGITATOR ASM- 11 FT	3141209	1		HOPPER ASM-WITH SAND AGITATOR, 14FT
	3140072	1	AGITATOR ASM- 12 FT	46	3110054	1	BUSHING, NO.Q1, 0.56 IN
	3140077	1	AGITATOR ASM- 13 FT	47	3140646	1	CHAIN-ROLLER (REPLACES REF. 32 FOR UNITS WITH SAND AGITATOR)
	3140427	1	AGITATOR ASM- 14 FT				
			WELDED STEEL HOUSING				
	3141176	1	AGITATOR - 10 FT				
	3141177	1	AGITATOR - 11FT				
	3141178	1	AGITATOR - 12 FT				
	3141179	1	AGITATOR - 13 FT				
	3141180	1	AGITATOR - 14 FT				
	3141181	1	AGITATOR - 15 FT				

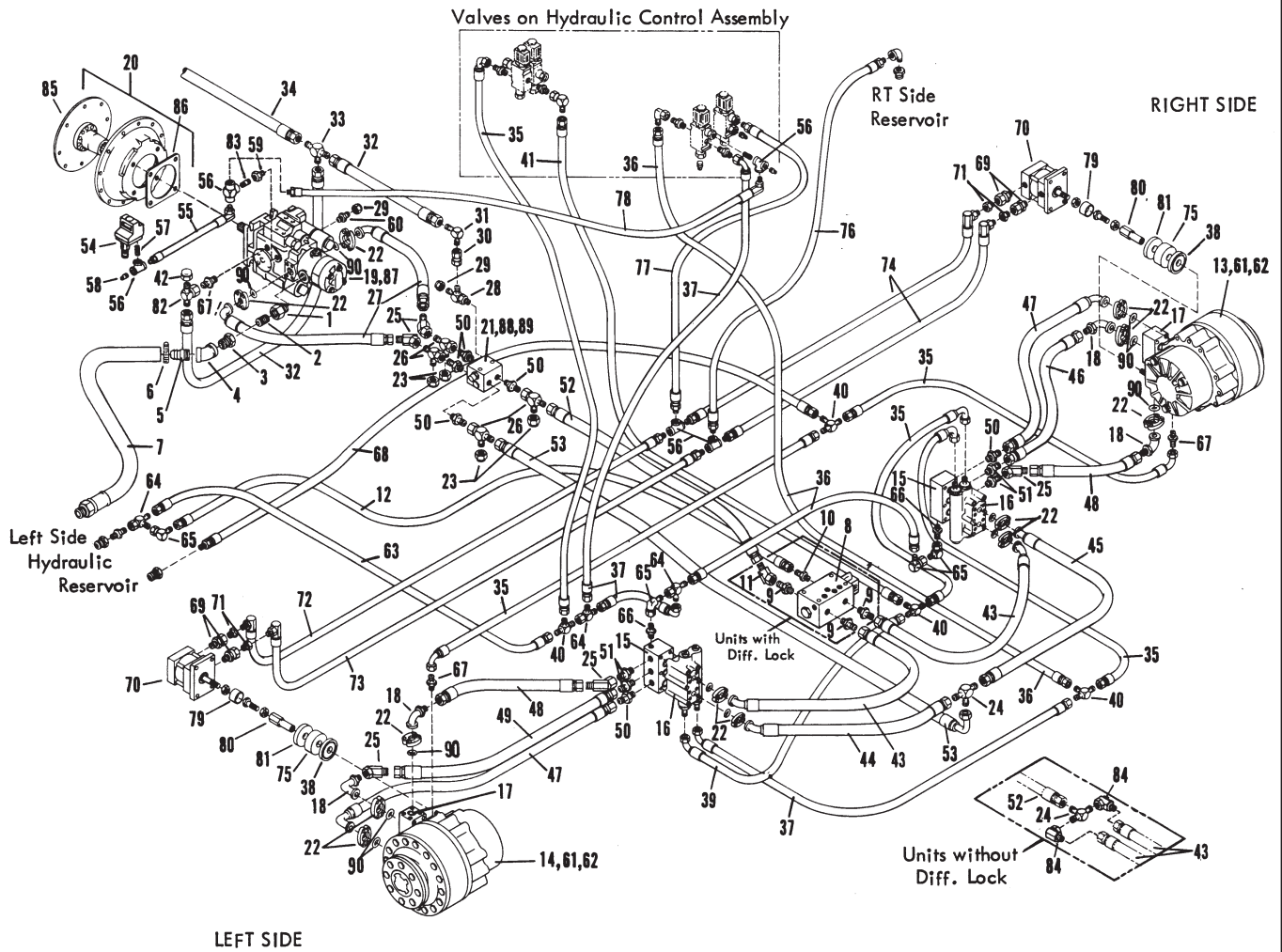
\* NOTE: FRONT HOPPER ASM (REF.45) DOES NOT INCLUDE REF. 32, 40, 41, 43 & 44.

NOTE: DETERMINE IF UNIT HAS CAST OR WELDED STEEL BEARING HOUSING BEFORE ORDERING PARTS.

AR = AS REQUIRED

**Rear Wheel Drive System - 2 WD**  
**S/N K-5126 thru K-5253**  
**John Deere Wheel Motors**

2 WHEEL DRIVE

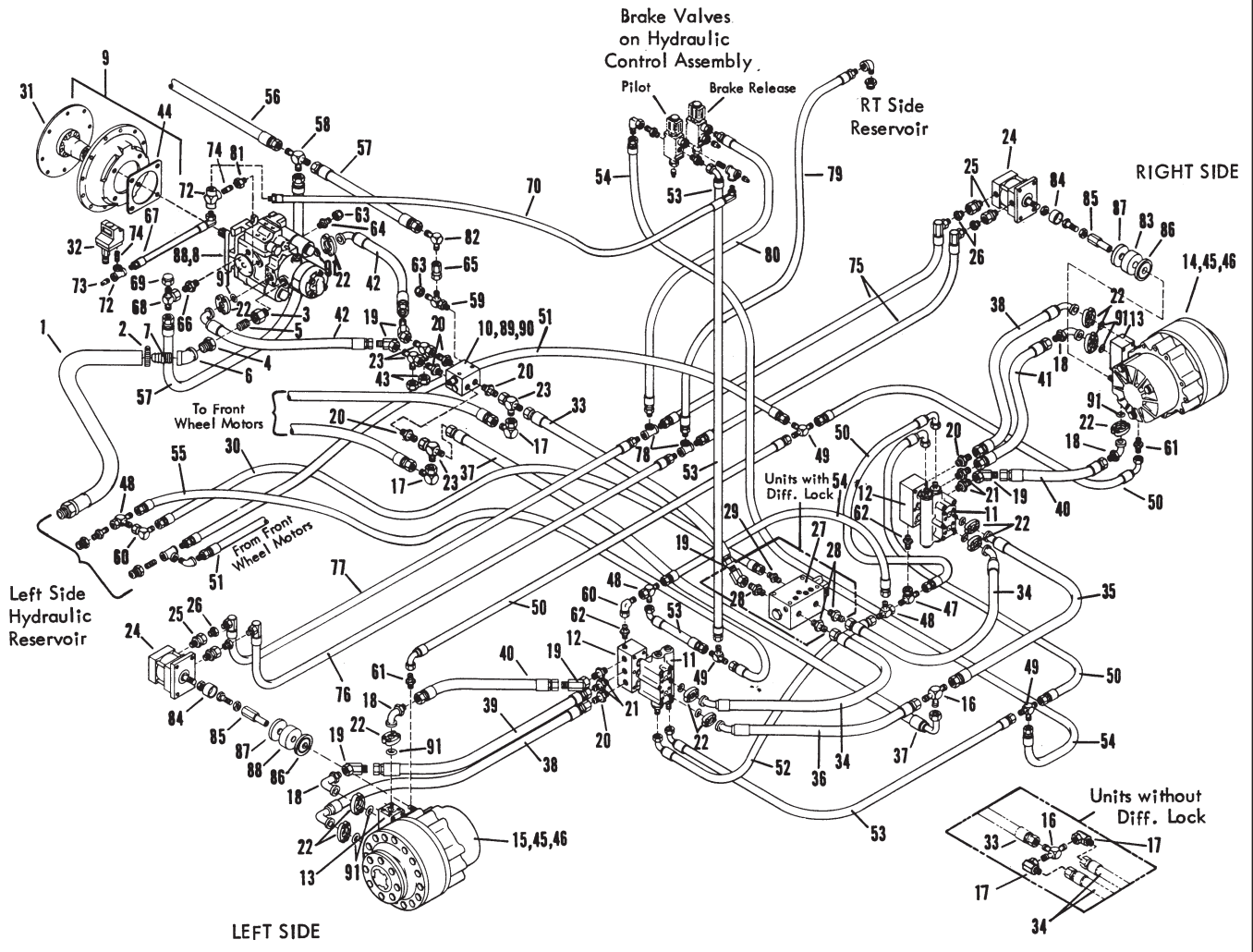


**Rear Wheel Drive System - 2 WD**  
**S/N K-5126 thru K-5253**  
**John Deere Wheel Motors**

REF.	PART NO.	QTY.	DESCRIPTION	REF.	PART NO.	QTY.	DESCRIPTION
1	9207860	1	Adapter-Hydr, Str, 16MB-16FP	63	6601501	1	Hose Asm-8X90, 8FJX-8FJX
2	0127874	1	Nipple-Sch 40, 1.00 X 1.50, CL	64	9410333	2	Tee-Hydr, 8MJ-8FJX-8MJ
3	0218855	1	Bushing-Pipe, 1.50 X 1.00NPT	65	9410281	1	Elbow-Hydr, 90, 8FJX-8MJ
4	0107404	1	Elbow-Pipe, 45, 1.50NPT	66	6601143	2	Adapter-Hydr, St, 6MB-8MJ
5	6200527	2	Nipple-Combination, 1.50, Type SCP	67	9410203	2	Adapter-Hydr, St, 8MB-8MJ
6	6600906	4	Clamp-Hose, 1.81 X 2.75	68	6601701	1	Hose Asm- 8X110, 8FJX-8MPX
7	3180743	1	Hose-Suction	69	6600753	4	Adapter-Hydr, St, 8FP-10MB
8	6602002	1	Valve-Flow Divider, Sol Op, 80 GPM	70	6602063	2	Cylinder-Hydr, 4" Bore X 1" Stroke
9	6602003	3	Adapter-Hydr, Str, 20MB-16MJ	71	0144045	4	Bushing-Pipe, 0.50X0.25NPT
10	6601143	1	Adapter-Hydr, St, 6MB-8MJ	72	3180641	1	Hose Asm-04X46.5, 04MPX-04MPX90
11	6602021	1	Elbow-Hydr, 45, 16MJ-16FJX	73	3180637	1	Hose Asm-04X38.5, 04MPX-04MPX90
12	3180818	1	Hose Asm-08X97, 8FJX-8FJX	74	3180640	2	Hose Asm-04X24, 4MPX-4MPX90
13	6602081	1	Motor-Hydr, Fixed, RH, 122/81 CID	75	6001137	2	Spring-Elastomer, 9000 Lb/In
14	6602082	1	Motor-Hydr, Fixed, LH, 122/81 CID	76	3180802	1	Hose Asm-04X105, 04FJX-04FJX
15	6602057	2	Subplate-Shift Valve, for JD Vlvs	77	3180642	1	Hose Asm-04X14.5, 04MPX-04MPX
16	6602056	2	Valve-3 Speed Shift	78	3180792	1	Hose Asm-04X63, 4MPX-4MPX90
17	6602058	2	Block-Motor Porting	79	3120500	2	Adapter-Brake Cylinder
18	6602067	4	Adapter-Hydr, 16FLSK-16MJ90	80	3120517	2	Adapter-Hex, Brake Cyl, Rub Spr
19	6601861	1	Pump-Variable, Sund, Elec PV24R	81	3120519	2	Back Plate-Spring
20	6601862	1	Pump Drive, Direct, Single SAE O	82	9410309	1	Tee-Hydr, 12MJ-12MJ-12FJX
21	6601868	1	Shuttle & Relief Valve Package	83	0105407	1	Nipple-PP, Sch 40, 0.25 X 1.50
22	6600236	8	Flange Kit-1.00, 4 Blt, Split	84	6601895	2	Elbow-Swivel, 90, 1.00 JIC
23	6602029	2	Cap-Hydraulic, 1.00	85	7215187	1	Plate-Drive, Pump
24	6602086	2	Tee-Hydr, 16MJ-16MJ-16MJ	86	7215191	1	Gasket-Pump, Drive
25	6602021	3	Elbow-Hydr, 45, 16MJ-16FJX	87	7215188	1	Kit-Seal, Shaft Seal & others
26	9410337	3	Tee-Hydr, 16FJX-16MJ-16MJ	88	7215176	1	Cartridge-Relief, Crossover, 5000 psi
27	6601903	2	Hose Asm-16X26, 16FJX-16FL61	89	7215175	1	Cartridge-Relief, Shuttle, 250 psi
28	9411131	1	Tee-Hydr, 8MB-8MJ-8MJ	90	0274253	8	O Ring-Tube Fitting, 1.50
29	9403372	2	Cap-Hydraulic, 37 Deg. FL, 0.50				
30	6600944	1	Adapter-Hydr, St, 08FP-08FJX				
31	6601759	1	Elbow-Hydr, 90, 12MJ-8MP				
32	3180782	2	Hose Asm-16X36, 12FJX-12FJX				
33	9402984	1	Tee-Hydr, 12MJ-12MJ-12MJ				
34	3180784	1	Hose Asm-16X105, 12FJX-12FJX				
35	3180820	4	Hose Asm- 8X41, 8FJX-8FJX90				
36	3180840	2	Hose Asm-8X32, 8FJX-8FJX				
37	3180821	3	Hose Asm-8X18, 8FJX-8FJX90				
38	3120518	2	Seat-Motor Housing				
39	3180839	1	Hose Asm-8X24, 8FJX-8FJX90				
40	6602078	3	Tee-Hydr, 8MJ-8MJ-8MJ				
41	3180843	1	Hose Asm-08X48, 8FJX-8FJX				
42	9403374	1	Cap-Hydraulic, 37 Deg. FL, 0.75				
43	6602087	2	Hose Asm-16X53, 16FJX-16FL30				
44	6602084	1	Hose Asm-16X17, 16FL-16FJX90				
45	6602088	1	Hose Asm-16X33.5, 16FJX-16FL30				
46	6602076	1	Hose Asm-16X18.5, 16FJX-16FJX				
47	6602073	2	Hose Asm-16X21.5, 16FJX-16FL90				
48	6602075	2	Hose Asm-16X17.5, 16FJX-16FJX				
49	6602074	1	Hose Asm-16X16.5, 16FJX-16FJX				
50	9410207	6	Adapter-Hydr, St, 16MB-16MJ				
51	6601915	4	Adapter-Hydr, 16MJ-12MB				
52	6602064	1	Hose Asm-16X18, 16FJX-16FJX				
53	6602065	1	Hose Asm-16X36.5, 16FJX-16FJX90				
54	3180788	1	Switch-Pressure, Hydro				
55	3180636	1	Hose Asm-04X18.6, 4MPX-4MPX90				
56	0454121	2	Tee-Auto, 04FP-04FP-04FP, PD				
57	6200292	1	Nipple-PP, Sch 80, 0.25X0.88 CL				
58	0219189	1	Plug-Pipe, SQ HD, 0.25NPT				
59	6601008	1	Adapter-Hydr, St, 04FP-04MB				
60	6600903	1	Adapter-Hydr, St, 8MJ-10MB				
61	0223513	18	Screw-Hex, 0.63NC X 2.00, GR 8				
62	9422850	18	Washer-Flat, 0.62				

**Rear Wheel Drive System - 4 WD**  
**S/N K-5126 thru K-5262**  
**John Deere Wheel Motors**

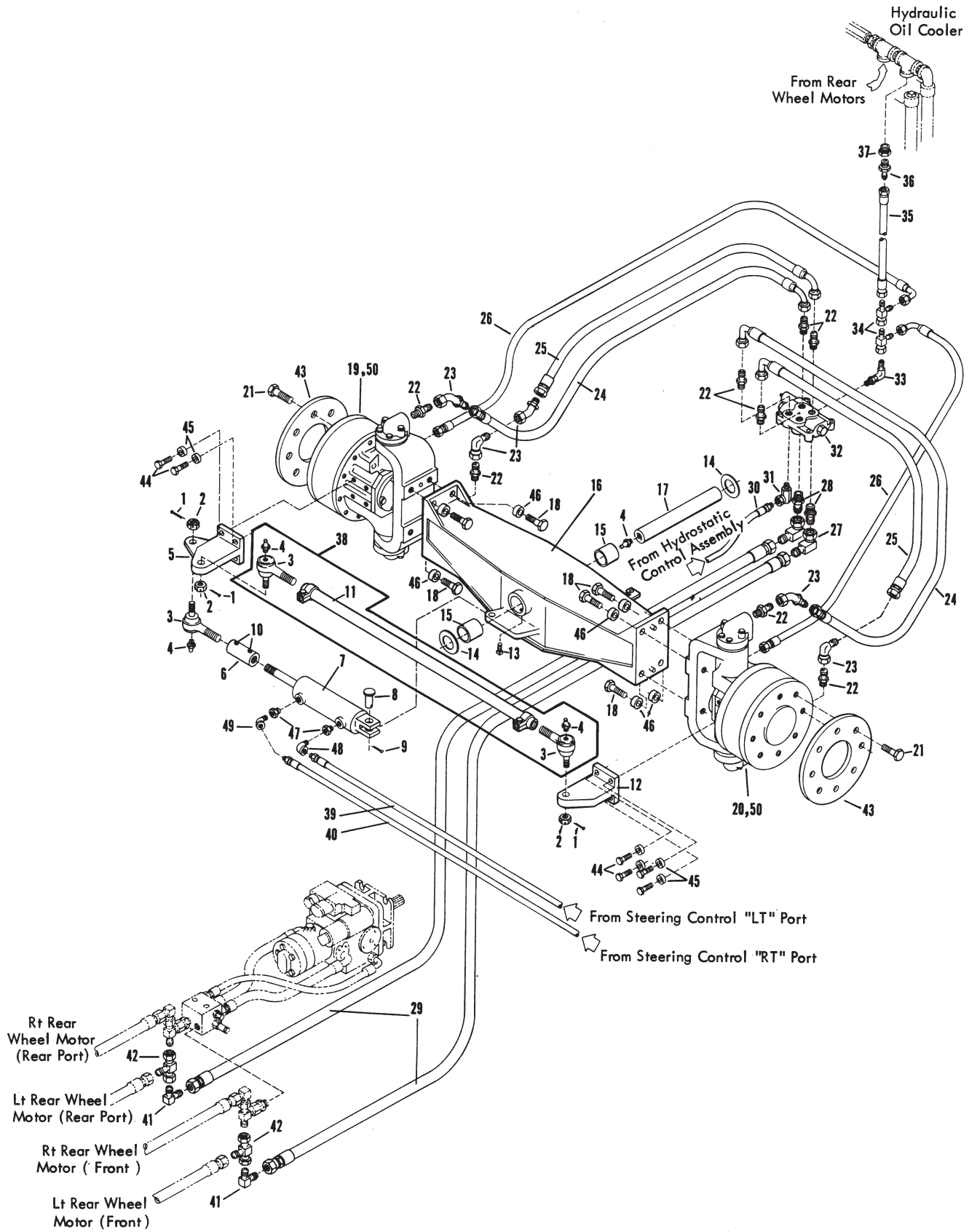
**4 WHEEL DRIVE**



**Rear Wheel Drive System - 4 WD**  
**S/N K-5126 thru K-5262**  
**John Deere Wheel Motors**

REF.	PART NO.	QTY.	DESCRIPTION	REF.	PART NO.	QTY.	DESCRIPTION
1	3180743	1	Hose-Suction	64	6600903	1	Adapter-Hydr, St, 8MJ-10MB
2	6600906	4	Clamp-Hose, 1.81 X 2.75	65	6600944	1	Adapter-Hydr, St, 08FP-08FJX
3	9207860	1	Adapter-Hydr, Str, 16MB-16FP	66	6600910	1	Adapter-Hydr, St, 10MB-12MJ
4	0218855	1	Bushing-Pipe, 1.50 X 1.00NPT	67	3180636	1	Hose Asm-04X18.6, 4MPX-4MPX90
5	0127874	1	Nipple-Sch 40, 1.00 X 1.50, CL	68	9410309	1	Tee-Hydr, 12MJ-12MJ-12FJX
6	0107404	1	Elbow-Pipe, 45, 1.50NPT	69	9403374	1	Cap-Hydraulic, 37 Deg. FL, 0.75
7	6200527	2	Nipple-Combination, 1.50, Type SCP	70	3180792	1	Hose Asm-04X63, 4MPX-4MPX90
8	6601861	1	Pump-Variable, Sund, Elec PV24R	71	6200292	1	Nipple-PP, Sch 80, 0.25X0.88 CL
9	6601862	1	Pump Drive, Direct, Single SAE O	72	0454121	2	Tee-Auto, 04FP-04FP-04FP, PD
10	6601868	1	Shuttle & Relief Valve Package	73	0219189	1	Plug-Pipe, SQ HD, 0.25NPT
11	6602056	2	Valve-3 Speed Shift	74	0105407	1	Nipple-PP, Sch 40, 0.25 X 1.50
12	6602057	2	Subplate-Shift Valve, for JD Vlvs	75	3180640	2	Hose Asm-04X24, 4MPX-4MPX90
13	6602058	2	Block-Motor Porting	76	3180637	1	Hose Asm-04X38.5, 04MPX-04MPX90
14	6602061	1	Motor-Hydr, Fixed, RH, 75/50 CID	77	3180641	1	Hose Asm-04X46.5, 04MPX-04MPX90
15	6602062	1	Motor-Hydr, Fixed, LH, 75/50 CID	78	0105417	1	Tee-Pipe, 0.25 NPT
16	6602086	2	Tee-Hydr, 16MJ-16MJ-16MJ	79	3180802	1	Hose Asm-04X105, 04FJX-04FJX
17	6601895	4	Elbow-Swivel, 90, 1.00 JIC	80	3180642	1	Hose Asm-04X14.5, 04MPX-04MPX
18	6602067	4	Adapter-Hydr, 16FLSK-16MJ90	81	6601008	1	Adapter-Hydr, St, 04FP-04MB
19	6602021	4	Elbow-Hydr, 45, 16MJ-16FJX	82	6601759	1	Elbow-Hydr, 90, 12MJ-8MP
20	9410207	6	Adapter-Hydr, St, 16MB-16MJ	83	6001137	2	Spring-Elastomer, 9000 Lb/In
21	6601915	4	Adapter-Hydr, 16MJ-12MB	84	3120500	2	Adapter-Brake Cylinder
22	6600236	8	Flange Kit-1.00, 4 Blt, Split	85	3120517	2	Adapter-Hex, Brake Cyl, Rub Spr
23	9410337	3	Tee-Hydr, 16FJX-16MJ-16MJ	86	3120518	2	Seat-Motor Housing
24	6602063	2	Cylinder-Hydr, 4" Bore X 1" Stroke	87	3120519	2	Back Plate-Spring
25	6600753	4	Adapter-Hydr, St, 8FP-10MB	88	7215188	1	Seal Kit-Shaft Seal & others
26	0144045	4	Bushing-Pipe, 0.50X0.25NPT	89	7215176	1	Cartridge-Relief, Crossover, 5000 psi
27	6602002	1	Valve-Flow Divider, Sol Op, 80 GPM	90	7215175	1	Cartridge-Relief, Shuttle, 250 psi
28	6602003	3	Adapter-Hydr, Str, 20MB-16MJ	91	0274253	8	O Ring-Tube Fitting, 1.50
29	6601143	1	Adapter-Hydr, St, 6MB-8MJ				
30	3180818	1	Hose Asm-08X97, 8FJX-8FJX				
31	7215187	1	Plate-Drive, Pump				
32	3180788	1	Switch-Pressure, Hydro				
33	6602064	1	Hose Asm-16X18, 16FJX-16FJX				
34	6602087	2	Hose Asm-16X53, 16FJX-16FL30				
35	6602088	1	Hose Asm-16X33.5, 16FJX-16FL30				
36	6602084	1	Hose Asm-16X17, 16FL-16FJX90				
37	6602065	1	Hose Asm-16X36.5, 16FJX-16FJX90				
38	6602073	2	Hose Asm-16X21.5, 16FJX-16FL90				
39	6602074	1	Hose Asm-16X16.5, 16FJX-16FJX				
40	6602075	2	Hose Asm-16X17.5, 16FJX-16FJX				
41	6602076	1	Hose Asm-16X18.5, 16FJX-16FJX				
42	6601903	2	Hose Asm-16X26, 16FJX-16FL61				
43	6602029	2	Cap-Hydraulic, 1.00				
44	7215191	1	Gasket-Pump Drive				
45	0223513	18	Screw-Hex, 0.63NC X 2.00, GR 8				
46	9422850	18	Washer-Flat, 0.62				
47	6602090	1	Tee-Hydr, 8MJ-8FJX				
48	9410333	2	Tee-Hydr, 8MJ-8FJX-8MJ				
49	6602078	3	Tee-Hydr, 8MJ-8MJ-8MJ				
50	3180820	4	Hose Asm- 8X41, 8FJX-8FJX90				
51	6601701	1	Hose Asm- 8X110, 8FJX-8MPX				
52	3180839	1	Hose Asm-8X24, 8FJX-8FJX90				
53	3180821	3	Hose Asm-8X18, 8FJX-8FJX90				
54	3180840	2	Hose Asm-8X32, 8FJX-8FJX				
55	6601501	1	Hose Asm-8X90, 8FJX-8FJX				
56	3180784	1	Hose Asm-16X105, 12FJX-12FJX				
57	3180782	2	Hose Asm-16X36, 12FJX-12FJX				
58	9402984	1	Tee-Hydr, 12MJ-12MJ-12MJ				
59	9411131	1	Tee-Hydr, 8MB-8MJ-8MJ				
60	9410281	1	Elbow-Hydr, 90, 8FJX-8MJ				
61	9410203	2	Adapter-Hydr, St, 8MB-8MJ				
62	6601143	2	Adapter-Hydr, St, 6MB-8MJ				
63	9403372	2	Cap-Hydraulic, 37 Deg. FL, 0.50				

**Front Axle Assembly - 4 WD**  
**S/N K-5126 thru K-5262**  
**John Deere Wheel Motors**





## Front Axle Assembly - 4 WD

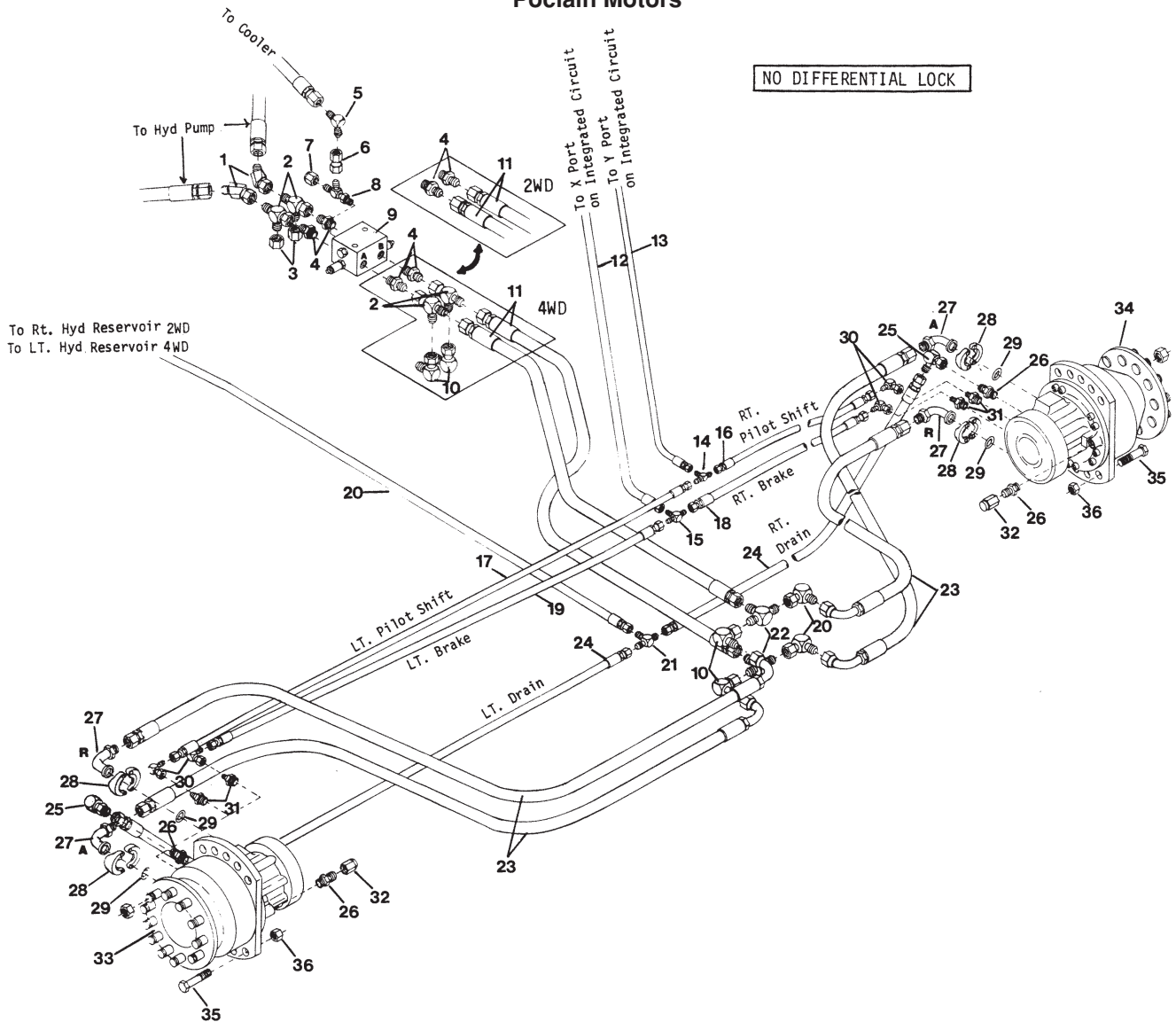
S/N K-5126 thru K-5262

John Deere Wheel Motors

REF.	PART NO.	QTY.	DESCRIPTION	REF.	PART NO.	QTY.	DESCRIPTION
1	9421054	3	PIN-COTTER,0.12X2.50,PD				
2	0272336	3	NUT-HEX,SLOT,THICK,0.88NF,PD				
3	3110024	3	JT-TIE ROD BALL IH110363R91 P0				
4	9411010	4	FITTING-LUBE,STGHT,1/8 X 11/16				
5	3120415	1	MOUNT ASM-STEERING LINK,LEFT				
6	3180499	1	SLEEVE-MTG,PWR STG CYLINDER				
7	6601699	1	CYLINDER-HYD,3"BORE,8"STROKE				
8	3180336	1	PIN-ASM STEERING CYLINDER				
9	0103386	1	PIN-COTTER,0.12X1.25,PD				
10	6100154	2	SCREW-SOCK,0.38NCX0.75,CUPNYLK				
11	0428739	2	SCREW-SOCK,0.38NCX0.75,CUPNYLK				
	3100466	2	CLAMP-TIE ROD IH 110 361 R1				
	0121574	2	WASHER-LOCK,0.62,SPRING,PD				
	0121358	2	NUT-HEX,0.62NF,PD				
12	3120414	1	MOUNT ASM-STEERING LINK,RIGHT				
13	6100086	2	SCREW-SQHD,0.50NCX1.00,H/DG,LK				
14	3100056	2	BEARING-THRUST				
15	3100047	2	BEARING-END				
16	3120465	1	FRAME ASM-FRT AXLE,4WD,HYDRO				
17	3100185	1	SHAFT-FRONT AXLE				
18	6100360	8	SCREW-CAP,.75-16UNFX2. ",GR8				
19	6602060	1	MOTOR-HYDRAULIC,STEERABLE,LH				
20	6602059	1	MOTOR-HYDRAULIC,STEERABLE,RH				
21	6100353	16	BOLT-WHL				
22	9410205	8	ADAPTER-HYDR,ST,12MB-12MJ				
23	9410257	5	ELBOW-HYDR,45,12FJX-12MJ				
24	6601914	2	HOSE ASM-12X035-12FJX-12FJX90				
25	6601913	2	HOSE ASM-12X026-12FJX-12FJX90				
26	6601896	2	HOSE ASM-08X037-08FJX-08FJX90				
27	6601895	2	ELBOW-SWIVEL,90DEG.,1"JIC				
28	6601915	2	ADAPTER-HYD 16MJ-12MB				
29	6601892	2	HOSE ASM-16X111-16FJX-16FJX				
30	3180662	1	HOSE ASM-04X120"LG,04MPX-04MPX				
31	6601138	1	ELBOW-HYDR,90,04FPX-04MB				
32	6601910	1	VALVE-DISENGAGEMENT,SWAY,J.D.				
33	6601200	1	ELBOW-HYDR,90,06MB-08MJ				
34	9410333	2	TEE-HYDR,08MJ-08FJX-08MJ				
35	6601897	1	HOSE ASM-08X058-08FJX-08FJX				
36	9402709	1	ADAPTER-HYDR,ST,08MJ-08MP				
37	0120062	1	BUSHING-PIPE,1.00X0.50NPT,PN				
38	3111126	1	RWK-ROD,TIEW/CLMPS&BLJNTS,4WD				
39	3180627	1	HOSE ASM-STEERING SYSTEM,LT				
40	3180626	1	HOSE ASM-STEERING SYSTEM,RT				
41	6601895	2	ELBOW-SWIVEL,90DEG.,1"JIC				
42	9410337	2	TEE-HYDR,16FJX-16MJ-16MJ				
43	3101501	2	Plate-Front Motor Wheel				
44	6100359	8	Screw-Hex, 0.50 X 2.00, GR 8				
45	3101512	8	Spacer-Steering Mnt. Asm				
46	3101511	8	Spacer-Frt. Whl. Motor Mtg.				
47	0142269	2	Bushing-Pipe, 1/2" X 3/8"NPT				
48	0120063	1	Elbow-Pipe, 90, Str, 3/8" NPT				
49	0120702	1	Elbow-Pipe, 45, Str, 3/8" NPT				
50	6602031	1	Kit-Seal, John Deere Hyd. Motor				

## Rear Wheel Drive 2WD & 4WD w/o Diff Lock Poclain Motors

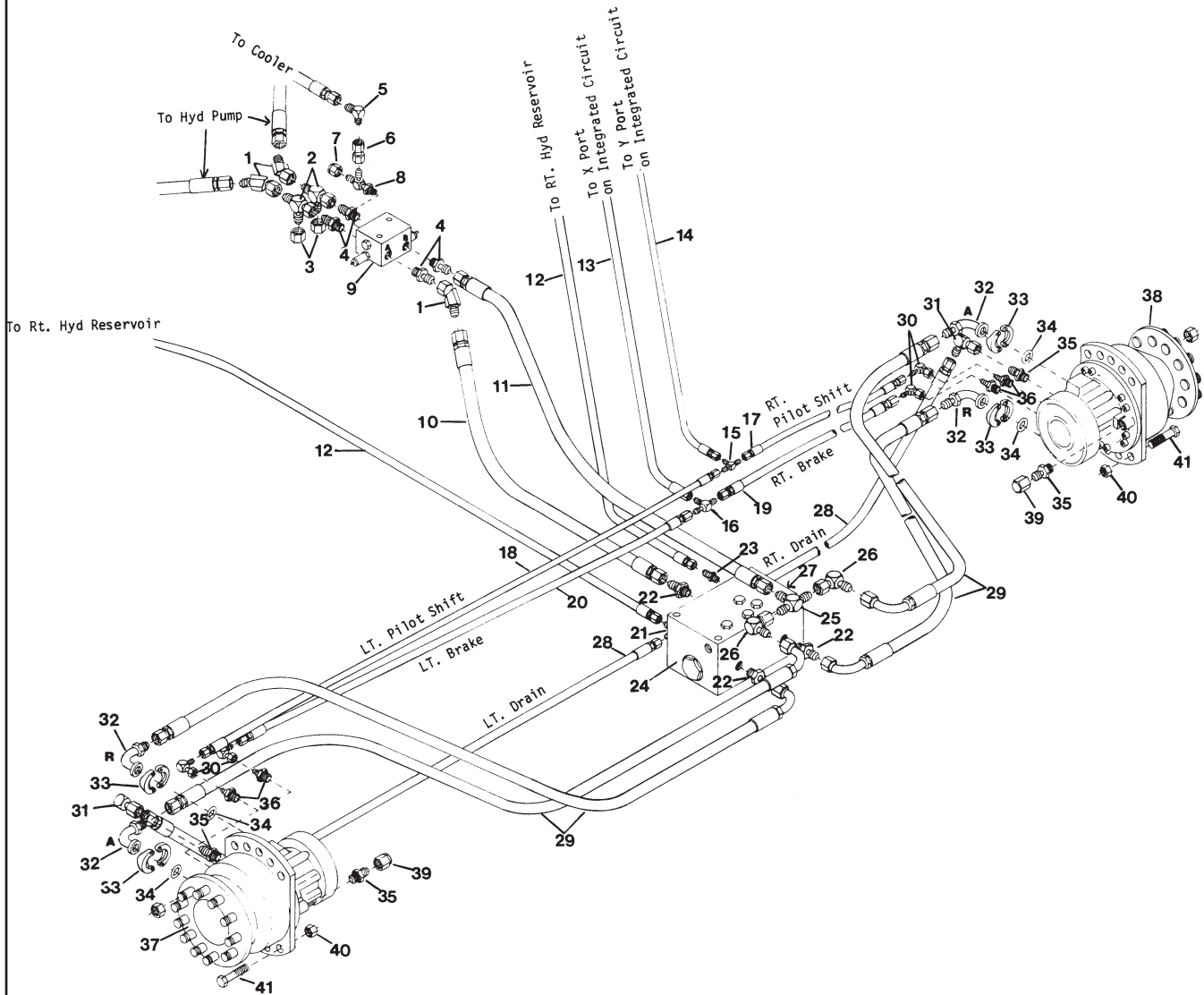
NO DIFFERENTIAL LOCK



REF.	PART NO.	QTY.	DESCRIPTION	REF.	PART NO.	QTY.	DESCRIPTION
1	6602021	2	Elbow-Hyd, 45, 16MJ-16FJX	21	6602078	1	Tee-Hyd, 08MJ-08MJ-08MJ
2	9411137	AR	Tee-Hyd, 16FJX-16MJ-16MJ	22	6602086	2	Tee-Hyd, 16MJ-16MJ-16MJ
3	6602029	2	Cap-Hyd, 1 Inch	23	6602065	4	Hose Asm-16 x 36.5, 16FJX-16FJX90
4	9410207	4	Adp-Hyd, ST, 16MB-16MJ	24	3180975	2	Hose Asm-08 x 35.5, 08FJX-12FJX
5	6601759	1	Elbow-Hyd, 90, 12MJ-08MP	25	9410283	2	Elbow-Hyd, 90, 12FJX-12MJ
6	6600944	1	Adp-Hyd, ST, 08FP-08FJX	26	6602203	4	Adp-Hyd, ST, M22-12MJ
7	9403372	1	Cap-Hyd 37 DEG FL, 0.50	27	6602201	4	Adp-Hyd, 90, 12FL62-16MJ90
8	9411131	1	Tee-Hyd, 08MB-08MJ-08MJ	28	6602202	4	Flange-Split, SAE, 3/4 CODE 62
9	6601868	1	Shuttle & Relief Valve PKG.	29	0274253	4	O Ring-Tube Fitting, 1.50
10	9410285	AR	Elbow-Hyd, 90, 16FJX-16MJ	30	9410280	4	Elbow-Hyd, 90, 06FJX-06MJ
11	6602070	2	Hose Asm-16 x 28, 16FJX-16FJX	31	6602205	4	Adp-Hyd, ST, M16-06MJ
12	3180976	1	Hose Asm-06 x 43, 06FJX-06FJX90	32	9403374	2	Cap-Hyd, 37 DEG FL, 0.75
13	3180977	1	Hose Asm-04 x 40, 04FJX-04FJX90	33	6602198	1	Motor-Hyd, Fixed, LH, 85/43 CID(4WD)
14	9402979	1	Tee-Hyd, 04MJ-04MJ-04MJ	34	6602197	1	Motor-Hyd, Fixed, RH, 85/43 CID(4WD)
15	9402981	1	Tee-Hyd, 06MJ-06MJ-06MJ	35	6602199	1	Motor-Hyd, Fixed, RH, 116/58 CID(2WD)
16	3180973	1	Hose Asm-04 x 20, 06FJX-04FJX	36	0223845	20	Screw-Hex, 0.88NF x 3.00, GR 8,PD
17	3180974	1	Hose Asm-04 x 47.5, 06FJX-04FJX		9421605	20	Nut-Hex, 0.88NF, GR 8,PD
18	3180981	1	Hose Asm-06 x 20, 06FJX-06FJX				
19	3180997	1	Hose Asm-06 x 42.5, 06FJX-06FJX				
20	3180818	1	Hose Asm-08 x 96, 08FJX-08FJX				

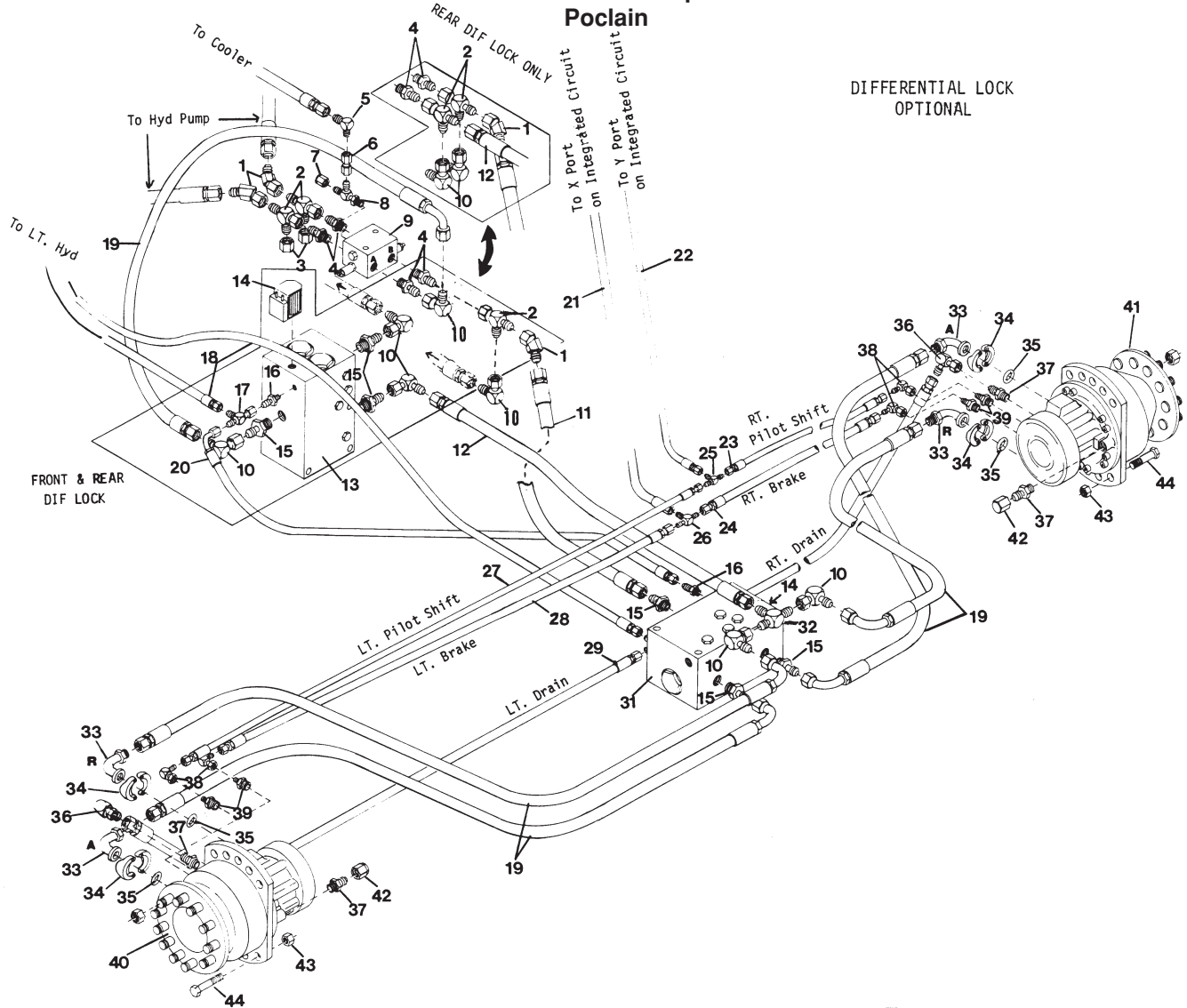
AR - AS REQUIRED

## Rear Wheel Drive - 2 WD w/ Diff Lock S/N K5254 & Up Poclain Motors



REF.	PART NO.	QTY.	DESCRIPTION	REF.	PART NO.	QTY.	DESCRIPTION
1	6602021	3	Elbow-Hyd, 45, 16MJ-16FJX	22	6602003	3	Adp-Hyd, ST, 20MB-16MJ
2	9411137	2	Tee-Hyd, 16FJX-16MJ-16MJ	23	6601143	1	Adp-Hyd, ST, 06MB-08MJ
3	6602029	2	Cap-Hyd, 1 Inch	24	6602002	1	Vlv-Flow Divider, SOL OP, 80 GPM
4	9410207	4	Adp-Hyd, ST, 16MB-16MJ	25	9410285	2	Elbow-Hyd, 90, 16FJX-16MJ
5	6601759	1	Elbow-Hyd, 90, 12MJ-08MP	26	6602086	1	Tee-Hyd, 16MJ-16MJ-16MJ
6	6600944	1	Adp-Hyd, ST, 08FP-08FJX	27	6701551	1	Diode-IN4004, 400V PRV, 1 AMP
7	9403372	1	Cap-Hyd, 37 DEG FL, 0.50	28	3180975	2	Hose Asm-08 x 35.5, 08FJX-12FJX
8	9411131	1	Tee-Hyd, 08MB-08MJ-08MJ	29	6602065	4	Hose Asm-16 x 36.5, 16FJX-16FJX90
9	6601868	1	Shuttle & Relief Valve PKG.	30	9410280	4	Elbow-Hyd, 90, 06FJX-06MJ
10	6602064	1	Hose Asm-16 x 18, 16FJX-16FJX	31	9410283	2	Elbow-Hyd, 90, 12FJX-12MJ
11	6602070	1	Hose Asm-16 x 28, 16FJX-16FJX	32	6602201	4	Adp-Hyd, 90, 12FL62-16MJ90
12	3180818	2	Hose Asm-08 x 96, 08FJX-08FJX	33	6602202	4	Flange-Split, SAE, 3/4 CODE 62
13	3180976	1	Hose Asm-06 x 43, 06FJX-06FJX90	34	0274253	4	O Ring-Tube Fitting, 1.50
14	3180977	1	Hose Asm-04 x 40, 04FJX-04FJX90	35	6602203	4	Adp-Hyd, ST, M22-12MJ
15	9402979	1	Tee-Hyd, 04MJ-04MJ-04MJ	36	6602205	4	Adp-Hyd, ST, M16-06MJ
16	9402981	1	Tee-Hyd, 06MJ-06MJ-06MJ	37	6602200	1	Motor-Hyd, Fixed, LH, 116/58 CID-2WD
17	3180973	1	Hose Asm-04 x 20, 06FJX-04FJX	38	6602199	1	Motor-Hyd, Fixed, RH, 116/58 CID-2WD
18	3180974	1	Hose Asm-04 x 47.5, 06FJX-04FJX	39	9403374	2	Cap-Hyd, 37 DEG FL, 0.75
19	3180981	1	Hose Asm-06 x 20, 06FJX-06FJX	40	9421605	20	Nut-Hex, 0.88NF, GR 8, PD
20	3180997	1	Hose Asm-06 x 42.5, 06FJX-06FJX	41	0223845	20	Screw-Hex, 0.88NF x 3.00, GR 8, PD
21	6602078	1	Tee-Hyd, 08MJ-08MJ-08MJ				

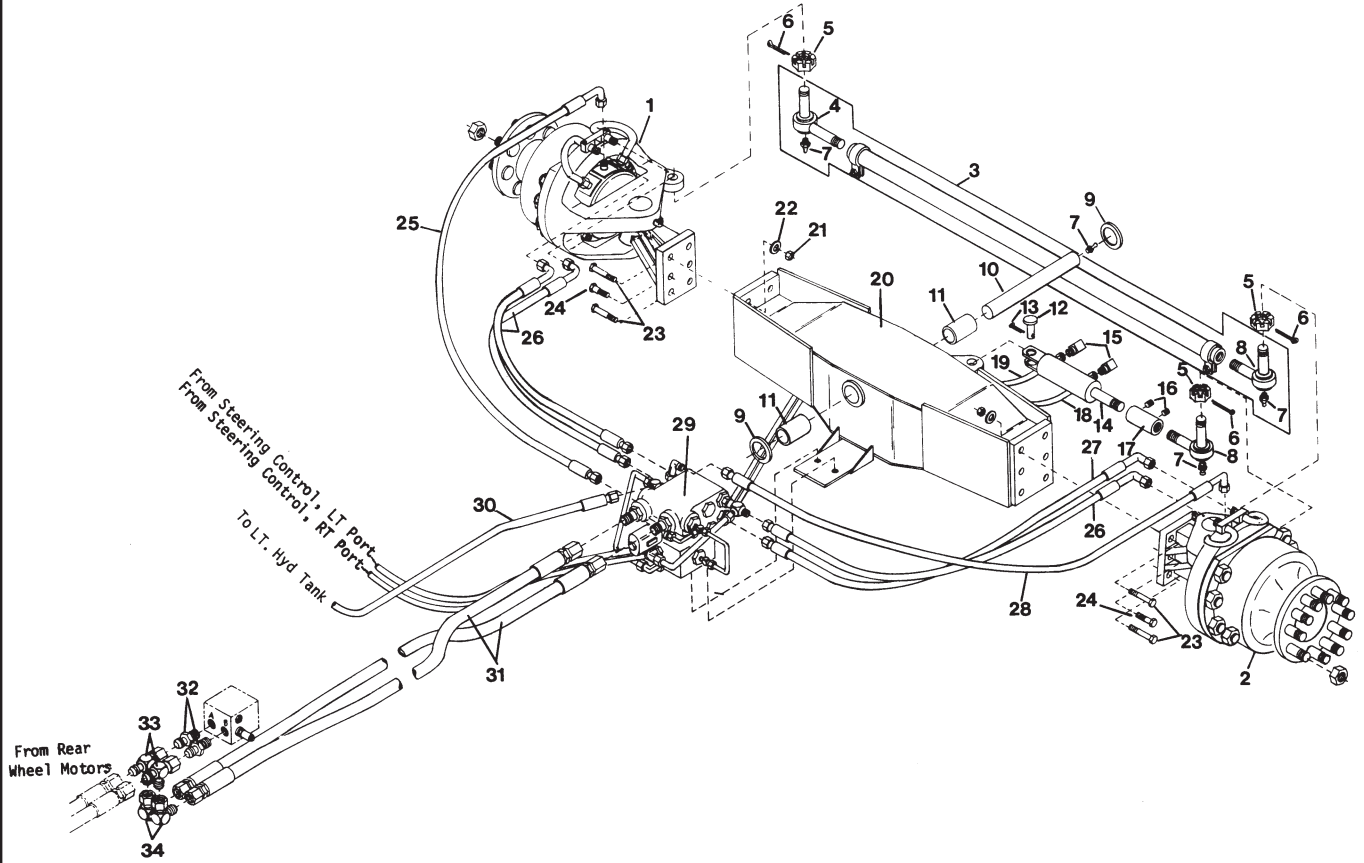
## Rear Wheel Drive - 4WD w/ Diff Locks S/N K-5263 & Up Poclain



REF.	PART NO.	QTY.	DESCRIPTION	REF.	PART NO.	QTY.	DESCRIPTION
1	6602021	3	Elbow-Hyd, 45, 16MJ-16FJX	27	3180974	1	Hose Asm, 04 x 47.5, 06FJX-04FJX
2	9411137	AR	Tee-Hyd, 16FJX-16MJ-16MJ	28	3180997	1	Hose Asm, 06 x 42.5, 06FJX-06FJX
3	6602029	2	Cap-Hyd, 1 Inch	29	3180975	2	Hose Asm, 08 x 35.5, 08FJX-12FJX
4	9410207	4	Adp-Hyd, ST, 16MB-16MJ	30	6602078	1	Tee-Hyd, 08MJ-08MJ-08MJ
5	6601759	1	Elbow-Hyd, 90, 12MJ-08MP	31	6602002	1	Vlv-Flow Divider, SOL OP, 80 GPM
6	6600944	1	Adp-Hyd, ST, 08FP-08FJX		7215200		Kit Sol. Valves
7	9403372	1	Cap-Hyd, 37 DEG FL, 0.50		7215201		Kit Diverter Valves
8	9411131	1	Tee-Hyd, 08MB-08MJ-08MJ		7215202		Kit Flow Divider
9	6601868	1	Shuttle & Relief Valve PKG.		7215203		Kit O Ring
10	9410285	AR	Elbow-Hyd, 90, 16FJX-16MJ	32	6602086	1	Tee-Hyd, 16MJ-16MJ-16MJ
11	6602064	1	Hose Asm-16 x 18, 16FJX-16FJX	33	6602201	4	Adp-Hyd, 90, 12FL62-16MJ90
12	6602070	1	Hose Asm-16 x 28, 16FJX-16FJX	34	6602202	4	Flange-Split, SAE, 3/4 CODE 62
13	6602251	1	Vlv-Flow Divider 47/53 80 GPM	35	0274253	4	O Ring-Tube Fitting, 1.50
14	6701551	AR	Diode-IN4004, 400V PRV, 1 AMP	36	9410283	2	Elbow-Hyd, 90, 12FJX-12MJ
15	6602003	AR	Adp-Hyd, ST, 20MB-16MJ	37	6602203	4	Adp-Hyd, ST, M22-12MJ
16	6601143	AR	Adp-Hyd, ST, 06MB-08MJ	38	9410280	4	Elbow-Hyd, 90, 06FJX-06MJ
17	9410333	1	Tee-Hyd, 08MJ-08FJX-08MJ	39	6602205	4	Adp-Hyd, ST, M16-06MJ
18	3180818	1	Hose Asm-08 x 96, 08FJX-08FJX	40	6602198	1	Motor-Hyd, Fixed, LH, 85/43 CID-4WD
19	6602065	AR	Hose Asm-16 x 36.5, 16FJX-16FJX90	41	6602197	1	Motor-Hyd, Fixed, RH, 85/43 CID-4WD
20	3180839	1	Hose Asm-08 x 25.25, 08FJX-08FJX90	42	9403374	2	Cap-Hyd, 37 DEG FL, 0.75
21	3180976	1	Hose Asm-06 x 43, 06FJX-06FJX90	43	9421605	20	Nut-Hex, 0.88NF, GR 8,PD
22	3180977	1	Hose Asm-04 x 40, 04FJX-04FJX90	44	0223845	20	Screw-Hex, 0.88NF x 3.00, GR 8,PD
23	3180973	1	Hose Asm-04 x 20, 06FJX-04FJX				
24	3180981	1	Hose Asm-06 x 20, 06FJX-06FJX				
25	9402979	1	Tee-Hyd, 04MJ-04MJ-04MJ				
26	9402981	1	Tee-Hyd, 06MJ-06MJ-06MJ				

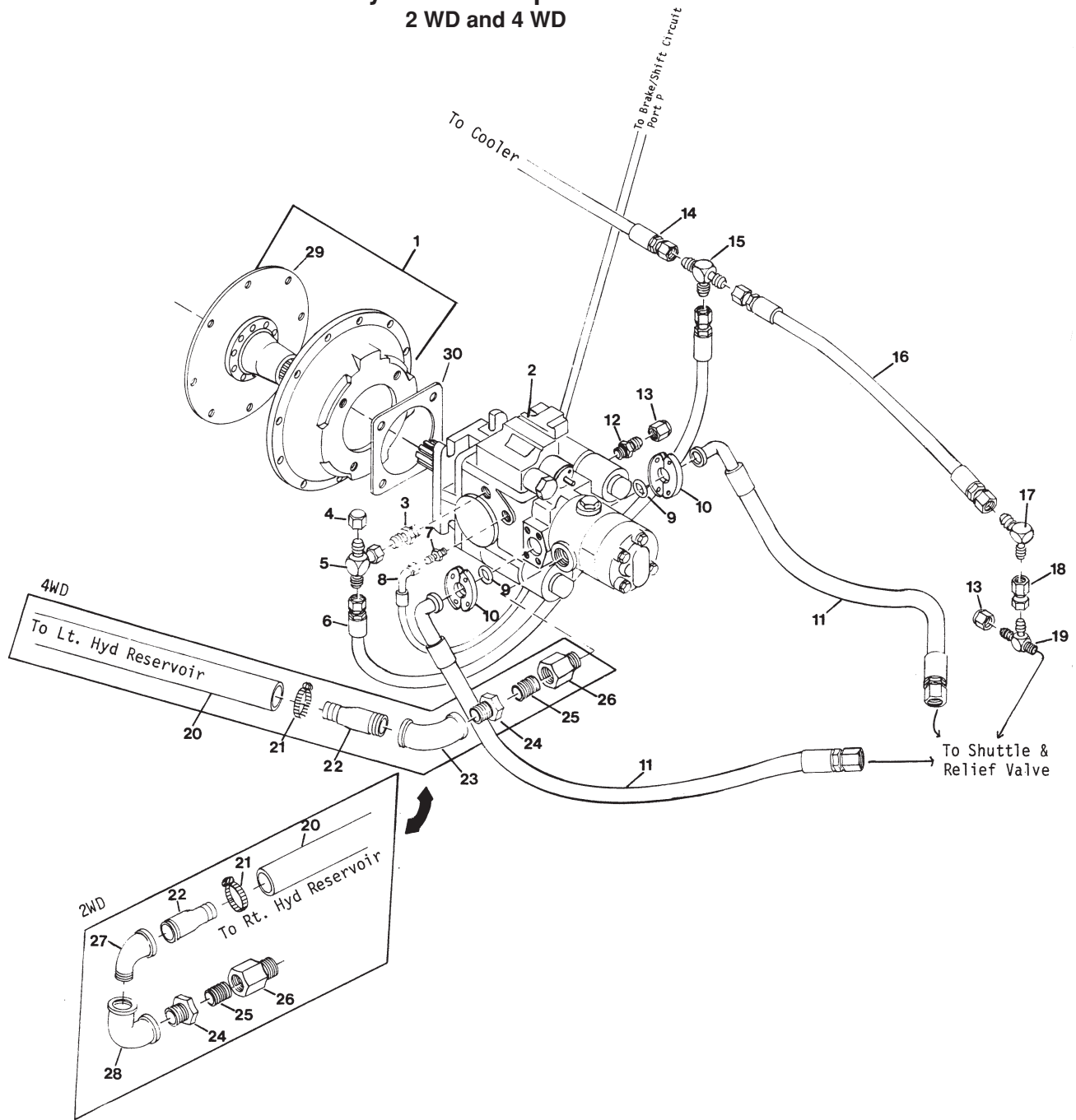
AR - AS REQUIRED

**Front Axle Assembly - 4 WD**  
**S/N K-5263 & Up**  
**Poclain**



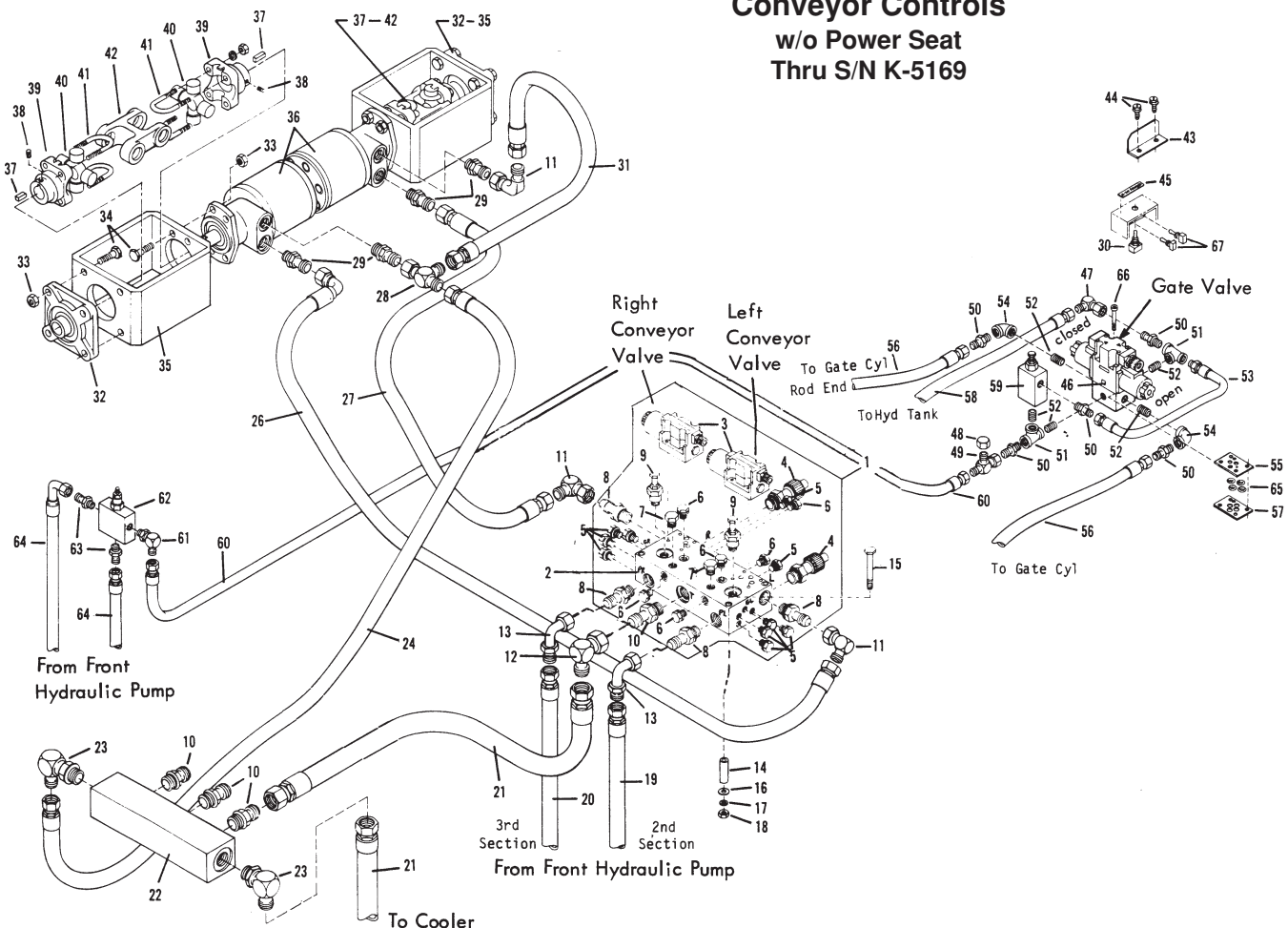
REF.	PART NO.	QTY.	DESCRIPTION	REF.	PART NO.	QTY.	DESCRIPTION
1	6602212	1	Motor-Hyd, Steering, LH, 76 C10	21	9429292	8	Nut/Hex-PI Thick 3/4-16 GR8
2	6602211	1	Motor-Hyd, Steering, RH, 76 C10	22	9437244	8	Washer Flat, 0.75AC (0.81 x 2.00) HM
3	3111231	1	Rod, Tiew/Clamps & Ball joints, 4WD	23	0223830	8	Screw-Hex, 0.75NF x 3.25, GR8,PD
4	3110023	1	Joint-Tie Rod Ball, LT	24	6100360	4	Screw-Hex, 0.75NF x 2.75, GR8,PD
5	0272336	3	Nut-Hex, Slot, Thick, 0.88 NF,PD	25	6601896	1	Hose Asm, 08 x 37, 08FJX-08FJX90
6	9421054	3	Pin-Cotter, 0.12 x 2.50,PD	26	6602221	3	Hose Asm, 08 x 38, 08FJX-08FJX90
7	9411010	4	Fitting-Lube, ST, 0.12 x 0.69	27	6602236	1	Hose Asm, 08 x 36, 08FJX-08FJX90
8	3110024	2	JT-Tie Rod Ball FTR187R	28	3180989	1	Hose Asm, 08 x 45, 08FJX-08FJX90
9	3100056	2	Bearing-Thrust	29	6602213	1	Valve-Disengage/Limited Slip
10	3100185	1	Shaft Front Axle	30	6601897	1	Hose Asm, 08 x 58, 08FJX-08FJX
11	3100047	2	Bearing-End	31	6602220	2	Hose Asm, 16 x 91, 16FJX-16FJX
12	3180336	1	Pin-Asm Steering Cylinder	32	9410207	2	Adp-Hyd, ST, 16MB-16MJ
13	0103386	1	Pin-Cotter, 0.12 x 1.25,PD	33	9410337	2	Tee-Hyd, 16MJ-16FJX-16MJ
14	6601699	1	Cyl-Hyd, 3" Bore, 8" Stroke	34	9410285	2	Elbow-Hyd,90, 16FJX-16MJ
15	6602228	2	Elbow-Hyd, 90, 06MJ-08MP				
16	6100154	2	Screw-Sock, 0.38NC x 0.75 CUPNYLK				
17	3180499	1	Sleeve-Mtg, PWR Steering Cylinder				
18	3180627	1	Hose Asm, Steering Sys, LT				
19	3180626	1	Hose Asm, Steering Sys, RT				
20	3120524	1	Frame Asm Frt Axle, 4WD Poclain				

## Hydraulic Pump Drive 2 WD and 4 WD



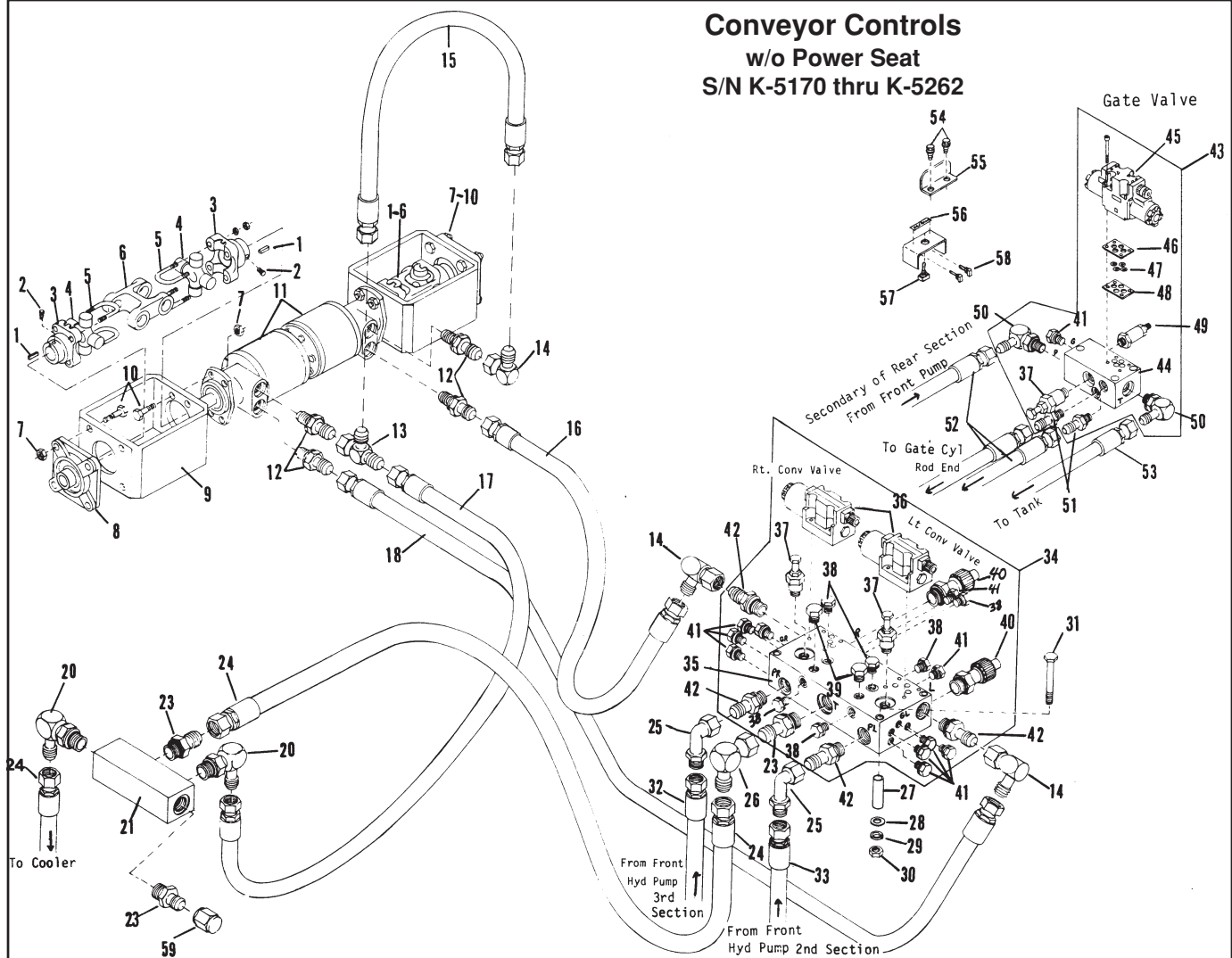
REF.	PART NO.	QTY.	DESCRIPTION	REF.	PART NO.	QTY.	DESCRIPTION
1	6601862	1	Pump Dr., Direct Single SAE D	16	3180782	1	Hose Asm-16 x 36, 12FJX-12FJX,LP
2	6601861	1	Pump-Variable, SUND, Ele. 2V24R	17	6601759	1	Elbow-Hyd, 90, 12MJ-08MP
3	6600910	1	Adp-Hyd, ST, 10MB-12MJ	18	6600944	1	Adp-Hyd, ST, 08FP-08FJX
4	9403374	1	Cap-Hyd, 37 DEG FL, 0.75	19	9411131	1	Tee-Hyd, 08MB-08MJ-08MJ
5	9410335	1	Tee-Hyd, 12MJ-12FJX-12MJ	20	3180743	1	Hose-Suction, STD, Hyd, CHIPS
6	3180781	1	Hose Asm-16 x 47, 12FJX-12FJX,LP	21	6600906	2	Clamp-Hose, Worm Dr. 1.81 x 2.75
7	9410200	1	Adp-Hyd, ST, 04MB-04MJ	22	6200527	1	Nipple-Comb., 1.50, Type SCP
8	3180898	1	Hose Asm-04 x 41, 04FJX90-04FJX90	23	0107404	1	Elbow-Pipe, 45, 1.50NPT
9	0274253	2	O Ring-Tube Fitting, 1.50	24	0218855	1	Bushing-Pipe, 1.50 x 1.00NPT,PN
10	6600236	2	Flange Kit-1.00, 4BLT, SPLIT	25	0127874	1	Nipple-Sch 40, 1.00 x 1.50,CL,PN
11	6601903	2	Hose Asm-16 x 26, 16FJX-16FJX61	26	9207860	1	Adp-Hyd, ST, 16MB-16FP
12	6600903	1	Adp-Hyd, ST, 08MJ-10MB	27	0218202	1	Elbow-Pipe, 90, ST, 1.50NPT,PN
13	9403372	2	Cap-Hyd, 37 DEG FL, 0.50	28	0187558	1	Elbow-Pipe, 90, 1.50NPT,PN
14	3180784	1	Hose Asm-16 x 105, 12FJX-12FJX	29	7215187	1	Plate-Drive Pump Hyd Chipper
15	9402984	1	Tee-Hyd, 12MJ-12MJ-12MJ	30	7215191	1	Gasket-Pump Drive Chipper Hyd

## Conveyor Controls w/o Power Seat Thru S/N K-5169



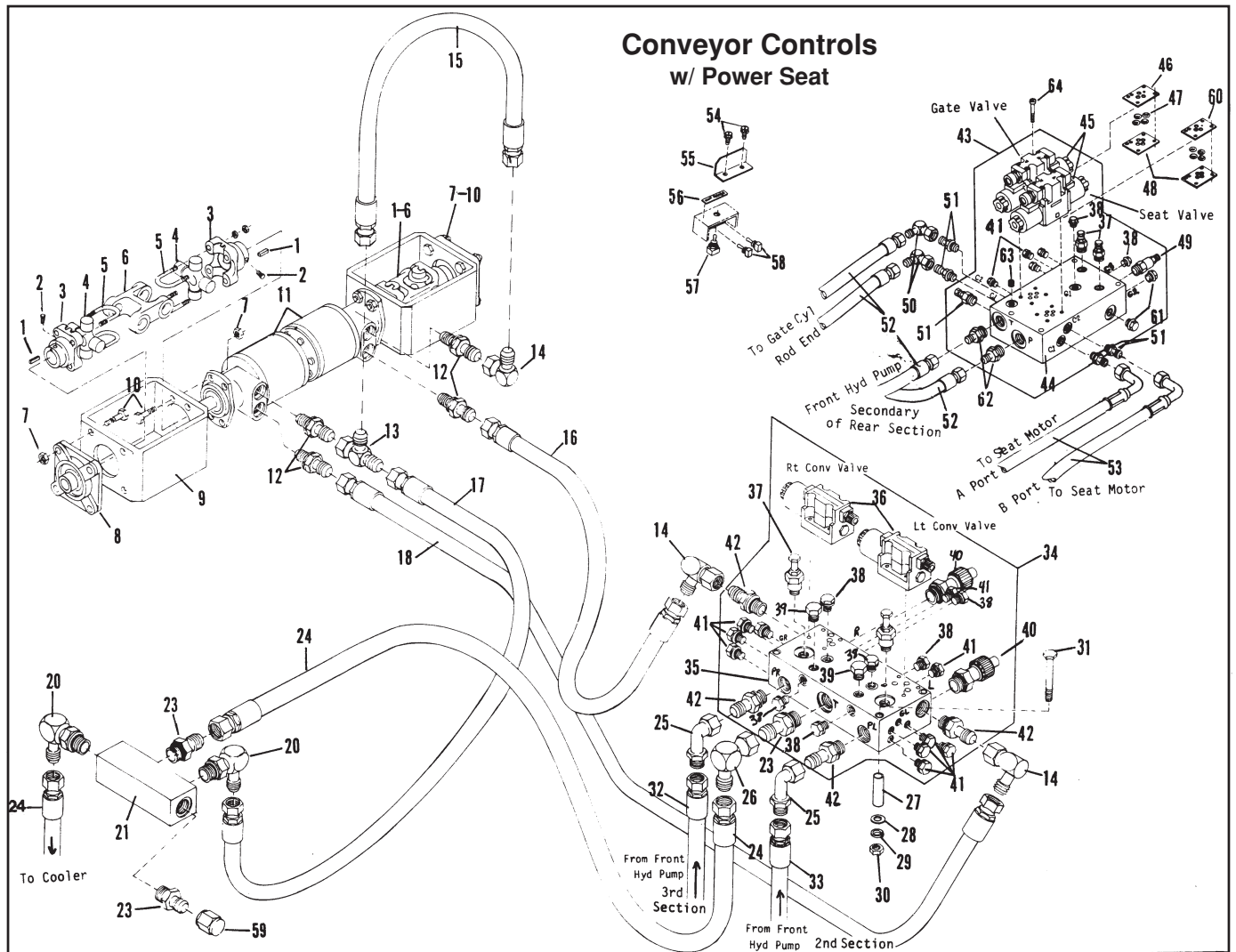
REF.	PART NO.	QTY.	DESCRIPTION	REF.	PART NO.	QTY.	DESCRIPTION	
1	3180958	1	Conv/Auger/Spreack Roll Int. Cir Asm	35	3180561	2	Bracket Asm-Conv Mtr Mtg	
2	3180950	1	Conveyor Circuit Block	36	6601079	2	Motor-Hydraulic, Conveyor Drive	
3	6602148	2	Valve-Hyd, Sol, 4 Way, 2Pos, Open, D05	37	7420152	2	Kit-Repair, Seal, Conv&Hpr Motor	
4	6602196	2	Needle Vlv Cart. 0 to 0.25	38	6000224	4	Key-0.31X0.31CR X 1.25 LG	
5	4470260	11	Plug-3/8 SAE O-Ring Boss-	39	6100035	4	Screw-Sock, 0.38NC X 0.38, Cup, PN	
6	9410356	6	Plug-1/4 SAE O-Ring Boss	40	3130234	4	Yoke-End, Conv Dr, 1.25ID X .31 Key	
7	6602195	2	Pressure Compensated Mod. Ele	41	6440137	4	Cross&Bearing Asm, Conveyor Drive	
8	9410205	4	Adapter-Hydr, St, 12MB-12MJ	42	3170017	8	U Bolt Asm (including Nuts & Washers)	
9	6602110	2	Relief Valve Cartridge RPEC-FAN	43	6440136	2	H Member-Center Sect, Conv. Drive	
10	9410207	4	Adapter-Hydr, St, 16MB-16MJ	44	3180445	1	Plate-Encl, Conveyor Switches	
11	9410283	3	Elbow-Hydr, 90, 12FJX-12MJ	45	6000550	2	Screw-Tex, Wa Hd, 1/4-14 X 3/4	
12	9410285	1	Elbow-Hydr, 90, 16FJX-16MJ	46	3101262	1	Decal-Hitch Release	
13	6602186	2	Elbow-Hydr, Tube, 12FJX-12MJ-90	47	6602053	1	4Way 3Pos Tandem Center D03 Sol Valve	
14	3180910	3	Spacer-Valve Block, 0.31 ID X 1.88 H	48	9410281	1	Elbow-Hydr, 90, 8FJX-8MJ	
15	6100291	3	Screw-Hex, 0.31NC X 5.50, GR5, PD	49	9403372	1	Cap-Hydr, 08FJ	
16	0446363	3	Washer-Flat, 0.31, PD	50	9410333	1	Tee-Hydr, 8MJ-8FJX-8MJ	
17	0120214	3	Washer-Lock, 0.31, Spring, PD	51	9402683	5	Adapter-Hydr, St, 06MP-08MJ	
18	0120376	3	Nut-Hex, 0.31NC, PD	52	0218239	2	Tee-Pipe, 0.38 X 0.25 X 0.25 NPT	
19	3180947	1	Hose Asm-12X56, 12FJX-12FJX	53	0105405	5	Nipple-Pipe, 0.25 X 0.87 CL	
20	3180948	1	Hose Asm-12X31, 12FJX-12FJX	54	3180577	1	Hose Asm-Hyd	
21	3180852	2	Hose Asm-16X40, 16FJX-16FJX	55	0120284	2	Elbow-Pipe, 90, 0.38 X 0.25 NPT	
22	3180847	1	Manifold-Return	56	3180930	1	DOI Orifice Plate	
23	6601568	2	Elbow-Hydr, 90, 16MB-16MJ	57	6601198	2	Hose Asm-08X80, 8FJX-8FJX	
24	3180946	1	Hose Asm-16X27, 16FJX-12FJX	58	3361042	1	DOI O Ring Spacer Plate	
26	6601210	1	Hose Asm-12X26, 12FJX-12FJX90	59	6601701	1	Hose Asm-08X110, 8FJX-8MPX	
27	6601213	1	Hose Asm-12X18, 12FJX-12FJX	60	6601879	1	Valve-Relief, Direct Acting	
28	9410335	1	Tee-Hydr, 12MJ-12FPX-12MJ	61	6601897	1	Hose Asm-08X58, 8FJX-8FJX	
29	6600910	4	Connector-St, 0.75FLX-0.62, O-Ring	62	9410977	1	Elbow-Hydr, Adj, 90, 08MB-08MJ	
30	6701467	1	Switch-Push Button, Mon, N.O.	63	6602115	1	Priority Flow Divider FRCA-LAN-EAJ-3.0	
31	6600909	1	Hose-Return, LH to RH Conv Motor	64	9410203	2	Adapter-Hydr, St, 08MB-08MJ	
32	3140094	2	Flange Brg-Ball, 4 Blt, 1.562	65	3180820	2	Hose Asm-08X39, 8FJX-8FJX90	
33	9411727	16	Nut-Hex, Lock, 0.50NC, EA, PD	66	0274244	4	O-Ring - Hydr, 1 1/4 In.	
34	0122459	16	Screw-Hex, 0.50NCX2.00, GR2, PD	67	0147117	4	Screw-Hex Sock, 10NC X 2.00	
					67	6700255	2	Switch-Toggle, McGill #90-0001

## Conveyor Controls w/o Power Seat S/N K-5170 thru K-5262



REF.	PART NO.	QTY.	DESCRIPTION	REF.	PART NO.	QTY.	DESCRIPTION
1	6000224	4	Key-0.31 x 0.31CR x 1.00	32	3180948	1	Hose Asm-12 x 31, 12FJX-12FJX
2	6100035	4	Screw Sock, 0.38NC x 0.38, CUP,PN	33	3180947	1	Hose Asm-12 x 56, 12FJX-12FJX
3	3130234	4	Yoke-End, Conveyor Drive	34	3180958	1	Conv/Auger/Spread Roll Int. Cir Asm
4	6440137	4	Cross Brg Asm-Conveyor Drive	35	3180950	1	Conveyor Circuit Block
5	3170017	8	U Bolt Asm (Incl. Nuts & Bolts)	36	6602148	2	Vlv-Hyd, Sol, 4 Way, 2 Pos, Open, D05
6	6440136	2	H Member-Center Sect. Conv. Dr.	37	6602110	3	Relief Vlv Cartridge RPEC-FAN
7	9411727	16	Nut-Hex, Lock, 0.50NC,EA,PD	38	9410356	6	Plug-0.25, O-Ring Boss
8	3140094	2	Flange Brg-Ball, 4 Bit, 1.562	39	6602195	2	Pressure Compensated Mod. Ele
9	3180561	2	Bracket Asm-Conveyor Mtr.	40	6602196	2	Needle Vlv Cart. 0 to 0.25
10	0122459	16	Screw-Hex, 0.50NC x 2.00 GR2, PD	41	4470260	11	Plug-0.38, O-Ring Boss
11	6601079	2	Motor Hyd, Conveyor Drive	42	9410205	4	Adp.-Hyd, St, 12MB-12MJ
12	7420152	2	Kit-Repair, Seal, Conv & Hpr Motor	43	3180991	1	Int. Cir-Power Gate W/O Power Seat Standard Hopper
12	6600910	4	Adp-Hyd, ST, 10MB-12MJ	44	3180988	1	Power Gate/Seat Circuit Block
13	9410335	1	Tee-Hyd, 12MJ-12FPX-12MJ	45	6602053	1	4 Way,3 Pos,Tandem Center D03 Sol Vlv
14	9410283	3	Elbow-Hyd, 90, 12FJX-12MJ	46	3180930	1	D01 Orifice Plate
15	6600909	1	Hose-Return, LH to RH Conv Motor	47	0274244	4	O-Ring, Hyd, 0.25"
16	6601213	1	Hose Asm-12 x 18, 12FJX-12FJX	48	3361042	1	D01 O-Ring Spacer Plate
17	3180946	1	Hose Asm-16 x 27, 16FJX-12FJX	49	6602111	1	Priority Flow Divider-FRCA-LAN-2.9
18	6601210	1	Hose Asm-12 x 26, 12FJX-12FJX90	50	9410977	2	Elbow-Hyd, 90, 08MB-08MJ
20	6601568	2	Elbow-Hyd, 90, 16MB-16MJ	51	6601143	2	Adp-Hyd, St, 06MB-08MJ
21	3180847	1	Manifold Return	52	6601198	3	Hose Asm-08 x 80, 08FJX-08FJX
23	9410207	3	Adapter-Hyd, ST,16MB-16MJ	53	6601701	1	Hose Asm-08 x 110, 08FJX-08MPX
24	3180852	2	Hose Asm-16 x 40, 16FJX-16FJX	54	6000550	2	Screw-Hex, 0.25, 14 x 0.75, TEK3,PD
25	6602186	2	Elbow-Hyd, Tube, 12FJX-12MJ-90	55	3180445	1	Plate-Encl. Conveyor Switches
26	9410285	1	Elbow-Hyd, 90, 16FJX-16MJ	56	3101262	1	Decal-Hitch Release
27	3180910	3	Spacer-Vlv Block, 0.31ID x 1.88H	57	6701467	1	Switch-Push Button, Mon, N.O.
28	0446363	3	Washer-Flat, 0.31,PD	58	6700255	2	Switch-Toggle, McGill #90-0001
29	0120214	3	Washer-Lock, 0.31,Sp,PD	59	6602029	1	Cap-Hydraulic, 1 Inch
30	0120376	3	Nut-Hex, 0.31NC,PD				
31	6100291	3	Screw-Hex, 0.31NC x 5.50, GR5,PD				



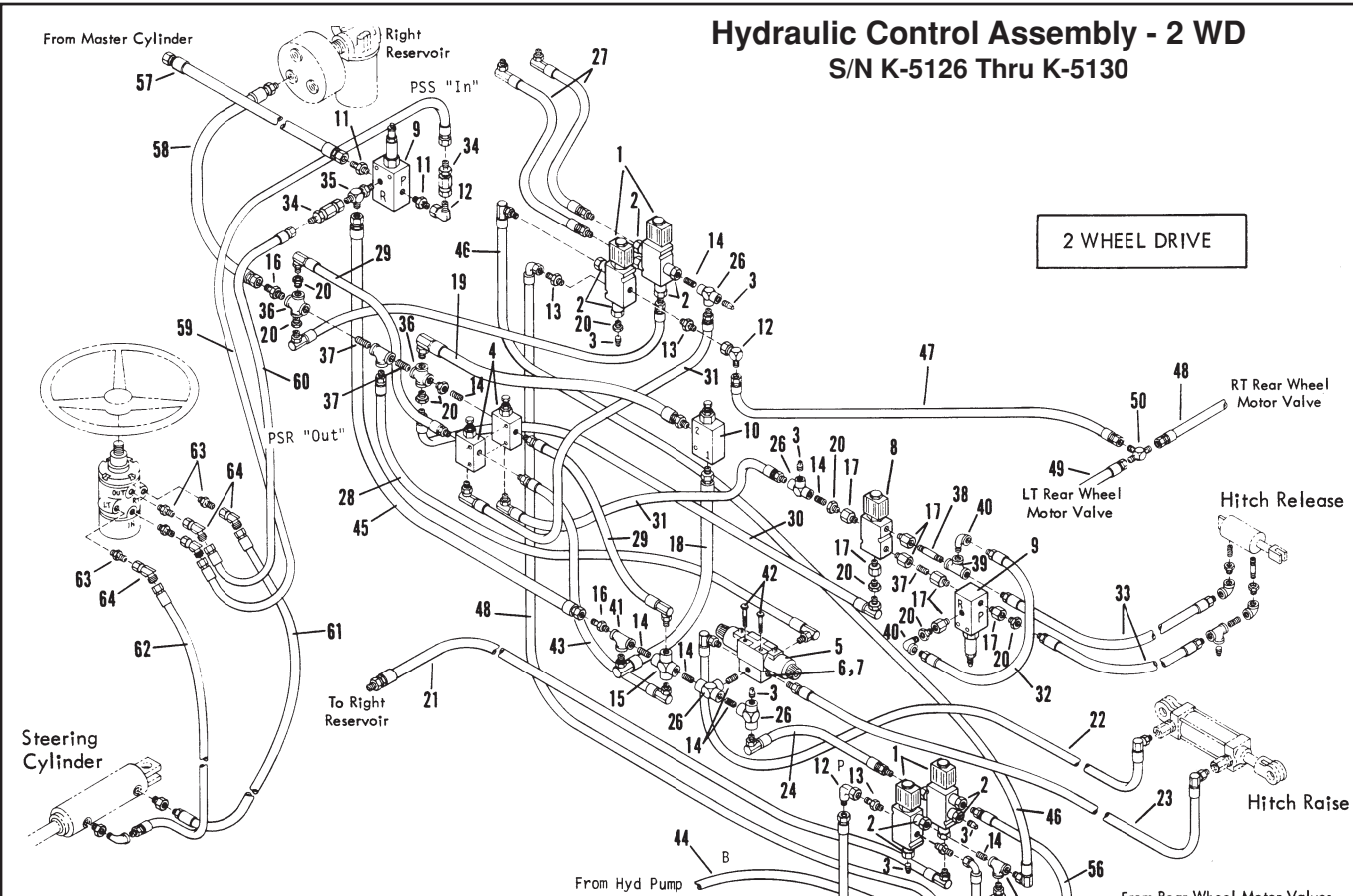


### Conveyor Controls w/ Power Seat

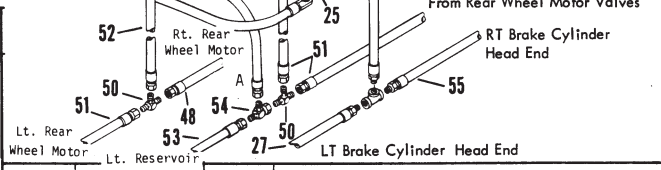
REF.	PART NO.	QTY.	DESCRIPTION	REF.	PART NO.	QTY.	DESCRIPTION
1	6000224	4	Key-0.31 x 0.31CR x 1.00	33	3180947	1	Hose Asm-12 x 56, 12FJX-12FJX
2	6100035	4	Screw Sock, 0.38NC x 0.38, CUP,PN	34	3180958	1	Conv/Auger/Spread Roll Int. Cir Asm
3	3130234	4	Yoke-End, Conveyor Drive	35	3180950	1	Conveyor Circuit Block
4	6440137	4	Cross Brg Asm-Conveyor Drive	36	6602148	2	Vlv-Hyd, Sol, 4 Way, 2 Pos, Open,D05
5	3170017	8	U Bolt Asm (Incl. Nuts & Bolts)	37	6602110	4	Relief Vlv Cartridge RPEC-FAN
6	6440136	2	H Member-Center Sect. Conv. Dr.	38	9410356	8	Plug-0.25,O-Ring Boss
7	9411727	16	Nut-Hex, Lock, 0.50NC,EA,PD	39	6602195	2	Pressure Compensated Mod. Ele
8	3140094	2	Flange Brg-Ball, 4 Bit, 1.562	40	6602196	2	Needle Vlv Cart. 0 to 0.25
9	3180561	2	Bracket Asm-Conveyor Mtr.	41	4470260	12	Plug-0.38, O-Ring Boss
10	0122459	16	Screw-Hex, 0.50NC x 2.00 GR2, PD	42	9410205	4	Adp.-Hyd, St, 12MB-12MJ
11	6601079	2	Motor Hyd, Conveyor Drive	43	3180849	1	Hopper Gate Intg. Circuit
	7420152	2	Kit-Repair, Seal, Conv & Hpr Motor	44	3180848	1	Integrated Circuit Block
12	6600910	4	Adp-Hyd, ST, 10MB-12MJ	45	6602053	2	4 Way, 3 Pos, Tandem Cntr D03 Sol Vlv
13	9410335	1	Tee-Hyd, 12MJ-12FPX-12MJ	46	3180930	1	D01 Orifice Plate
14	9410283	3	Elbow-Hyd, 90, 12FJX-12MJ	47	0274244	8	O-Ring, Hyd, 0.25"
15	6600909	1	Hose-Return, LH to RH Conv Motor	48	3361042	2	D01 O-Ring Spacer Plate
16	6601213	1	Hose Asm-12 x 18, 12FJX-12FJX	49	6602111	1	Priority Flow Divider-FRCA-LAN-2.9
17	3180946	1	Hose Asm-16 x 27, 16FJX-12FJX	50	9410977	2	Elbow-Hyd, 90, 08MB-08MJ
18	6601210	1	Hose Asm-12 x 26, 12FJX-12FJX90	51	6601143	4	Adp-Hyd, St, 06MB-08MJ
20	6601568	2	Elbow-Hyd, 90, 16MB-12MJ	52	6601198	4	Hose Asm-08 x 80, 08FJX-08FJX
21	3180847	1	Manifold Return	53	3180999	2	Hose Asm-08 x 117.5, 08FJX-08FJX90
23	9410207	3	Adapter-Hyd, ST,16MB-16MJ	54	6000550	2	Screw-Hex, 0.25, 14 x 0.75, TEK3,PD
24	3180852	2	Hose Asm-16 x 40, 16FJX-16FJX	55	3180445	1	Plate-Encl. Conveyor Switches
25	6602186	2	Elbow-Hyd, Tube, 12FJX-12MJ-90	56	3101262	1	Decal-Hitch Release
26	9410285	1	Elbow-Hyd, 90, 16FJX-16MJ	57	6701467	1	Switch-Push Buttom, Mon, N.O.
27	3180910	3	Spacer-Vlv Block, 0.31ID x 1.88H	58	6700255	2	Switch-Toggle, McGill #90-0001
28	0446363	3	Washer-Flat, 0.31,PD	59	6602029	1	Cap-Hydraulic, 1 Inch
29	0120214	3	Washer-Lock, 0.31,Sp,PD	60	3180929	1	D01 Orifice Plate
30	0120376	3	Nut-Hex, 0.31NC,PD	61	9410359	2	Plug-0.50 SAE O-Ring Boss
31	6100291	3	Screw-Hex, 0.31NC x 5.50, GR5,PD	62	6600921	2	Adp-Hyd, St, 12MB-08MJ
32	3180948	1	Hose Asm-12 x 31, 12FJX-12FJX	63	6602138	1	Plug-0.25 SAE Hollow Hex
				64	0147117	8	Screw Hex Sock, 10NC x 2.00

## Hydraulic Control Assembly - 2 WD S/N K-5126 Thru K-5130

2 WHEEL DRIVE

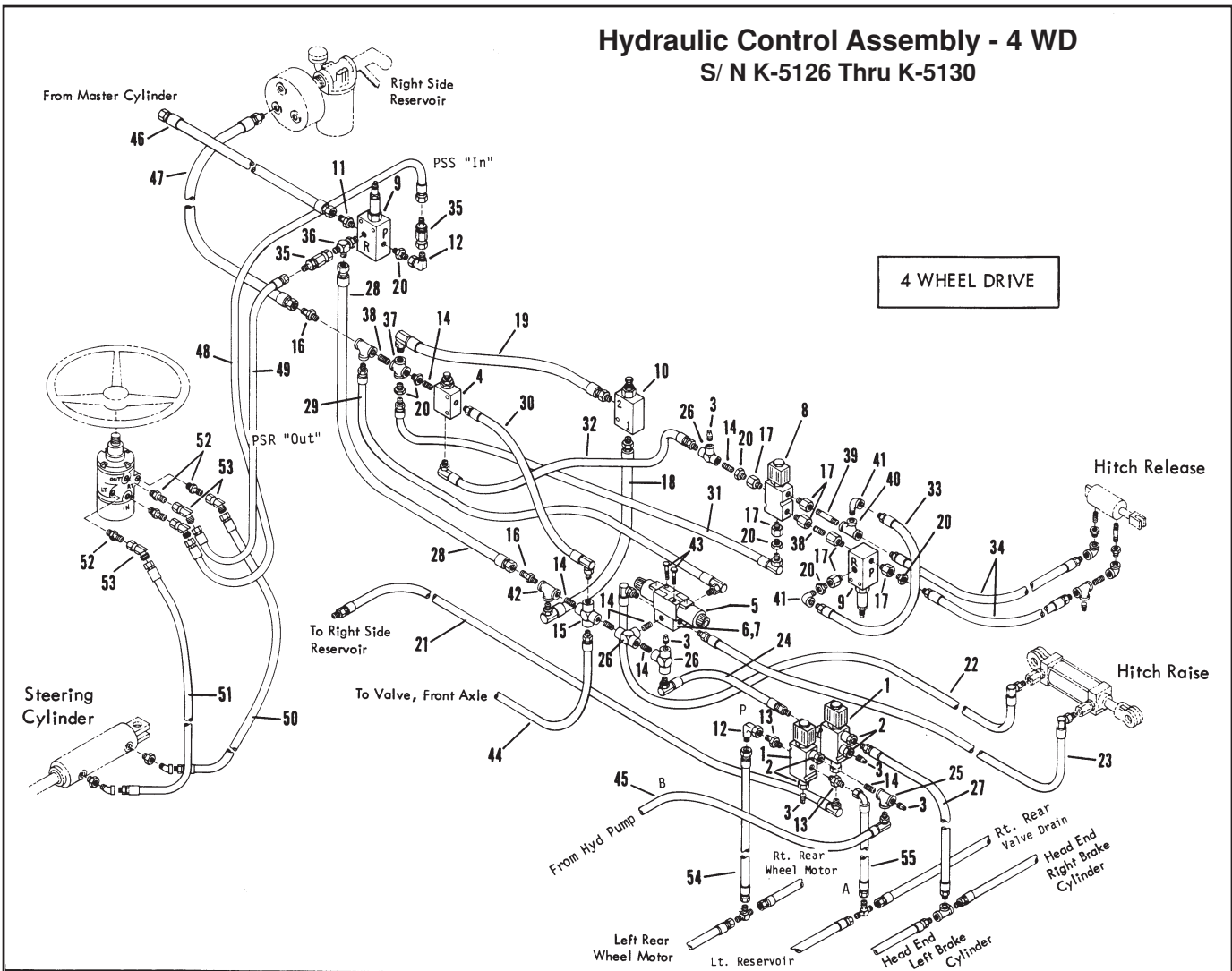


REF.	PART NO.	QTY.	DESCRIPTION
1	6601869	4	Valve-4 Way, 2 Pos. Spring Offset
2	9409286	6	Adapter-Hydr, St, 04FP-06MB
3	0219189	4	Plug-Pipe, SqHd, 0.25NPT, PN
4	6601770	2	Valve - Pressure Reducing, 500 PSI
5	6601796	1	Valve-Hyd, Sol. 3 Pos, 4 Way, Clsd
6	6601800	1	Subplate-001. Single
7	6601846	1	Bolt Kit-NFPA 001 Valve
8	6601874	1	Valve-4W, 2 Pos, Spring Offset
9	6601118	2	Valve-Relief, Power Steering
10	6601879	1	Valve-Relief, Direct Acting
11	9410203	2	Adapter-Hydr, St, 08MB-08MJ
12	9410281	2	Elbow-Hydr, 90, 08FJX-08MJ
13	6601143	2	Adapter-Hydr, St, 06MB-08MJ
14	6200292	7	Nipple-PP, Sch 80, .25X.87CL
15	6600787	1	Cross-Pipe, 0.25, Hyd, PD
16	9402683	2	Adapter-Hydr, St, 06MP-08MJ
17	9409287	7	Adapter-Hydr, St, 06FP-08MB
18	3180667	1	Hose Asm-06X12, 6MPX-6MPX90
19	3180668	1	Hose Asm-06X11, 6MPX-6MPX90
20	0119931	5	Bushing-Pipe, 0.38 X 0.25NPT, PN
21	3180824	1	Hose Asm-04X96, 4MPX-4MPX90
22	3180655	1	Hose Asm-04X26, 4MPX90-4MPX90
23	3180653	1	Hose Asm-04X29.2, 4MPX-4MPX90
24	3180645	1	Hose Asm-04X8.2, 4MPX-4MPX90
25	0105417	1	Tee-Pipe, 0.25NPT, PN
26	0454121	3	Tee-Auto, 04FP-04FP-04FP, PD
27	3180641	2	Hose Asm-04X46.5, 5MPX-4MPX90
28	3180647	1	Hose Asm-04X22.7, 4MPX-4MPX90
29	3180649	2	Hose Asm-04X11.2, 4MPX-4MPX90
30	3180648	1	Hose Asm-04X27.7, 4MPX-4MPX90
31	3180636	2	Hose Asm-04X18.6, 4MPX-4MPX90
32	3180671	1	Hose Asm-04X11.5, 4FJX-4FJX
33	3180635	2	Hose Asm-04X96, 4MPX-4MPX
34	9403400	2	Adapter-Hydr, St, 6MJ-08FJ
35	9411131	1	Tee-Hydr, 08MP-08MJ-08MJ



REF.	PART NO.	QTY.	DESCRIPTION
36	0115193	2	Cross-Pipe, 0.38NPT, PN
37	6200443	3	Nipple-Sch 80, 0.38 X CL, PN
38	0120128	1	Nipple-PP, Sch 40, 0.38 X 3.50
39	0218239	1	Tee-Pipe, 0.38 X 0.25 X 0.25NPT
40	0105423	2	Elbow-Pipe, 90, St, 0.25NPT
41	0218237	1	Tee-Pipe, 0.38X0.25X0.38NPT
42	0454034	2	Screw-Socket Hd, Cad, 0.25NCX2
43	3180644	1	Hose Asm
44	3180792	1	Hose Asm-04X63, 4MPX-4MPX90
45	6601196	2	Hose Asm-08X24, 8FJX-8FJX
46	3180844	1	Hose Asm-04X38, 4MPX90-4MPX90
47	3180843	1	Hose Asm-08X48, 8FJX-8FJX
48	3180820	2	Hose Asm-08X41, 8FJX-8FJX90
49	3180839	1	Hose Asm
50	6602078	4	Tee-Hydr, 08MJ-08MJ-08MJ
51	3180821	1	Hose Asm-08X18, 8FJX-8FJX90
52	3180840	1	Hose Asm-08X32, 8FJX-8FJX
53	6601501	1	Hose Asm-08X90, 8FJX-8FJX
54	9410333	1	Tee-Hydr
55	3180640	2	Hose Asm-04X24, 4MPX-4MPX90
56	3180642	1	Hose Asm-04X14.5, 4MPX-4MPX
57	6601399	1	Hose Asm
58	6601401	1	Hose Asm-08X30, 8FJX-8MPX
59	3180624	1	Hose Asm-Steering Sys, Press. Ln
60	3180625	1	Hose Asm-Steer. Sys, Return Line
61	3180626	1	Hose Asm-Steering System, RT
62	3180627	1	Hose Asm-Steering System, LT
63	9410202	4	Adapter-Hydr, St, 06MB-06MJ
64	6601937	4	Elbow-Hydr, 45 Deg, 06FJX-06MJ

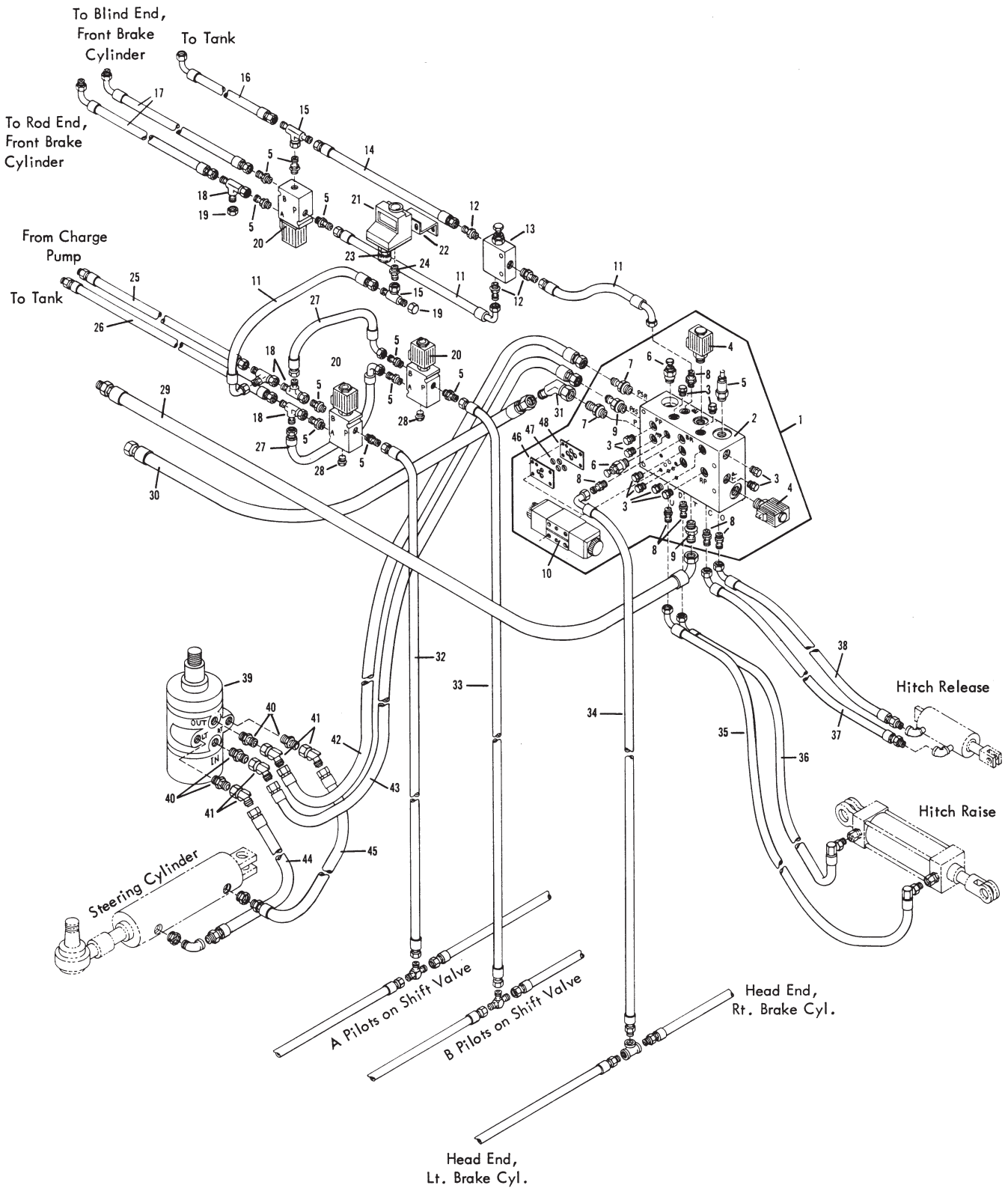
## Hydraulic Control Assembly - 4 WD S/ N K-5126 Thru K-5130



REF.	PART NO.	QTY.	DESCRIPTION	REF.	PART NO.	QTY.	DESCRIPTION
1	6601869	1	Valve-4 Way, 2 Pos. Spring Offset	29	3180647	1	Hose Asm-04X22.7, 4MPX-4MPX90
2	9409286	6	Adapter-Hydr, St, 04FP-06MB	30	3180649	1	Hose Asm-04X11.2, 4MPX-4MPX90
3	0219189	4	Plug-Pipe, SqHd, 0.25NPT, PN	31	3180648	1	Hose Asm-04X27.7, 4MPX-4MPX90
4	6601770	1	Valve - Pressure Reducing, 500 PSI	32	3180636	1	Hose Asm-04X18.6, 4MPX-4MPX90
5	6601796	1	Valve-Hyd, Sol. 3 Pos, 4 Way, Clsd	33	3180671	1	Hose Asm-04X11.5, 4FJX-4FJX
6	6601800	1	Subplate-001. Single	34	3180635	2	Hose Asm-04X9.6, 4MPX-4MPX
7	6601846	1	Bolt Kit-NFPA 001 Valve	35	9403400	2	Adapter-Hydr, St, 6MJ-08FJ
8	6601874	1	Valve-4W, 2 Pos, Spring Offset	36	9411131	1	Tee-Hydr, 08MP-08MJ-08MJ
9	6601118	2	Valve-Relief, Power Steering	37	0115193	1	Cross-Pipe, 0.38NPT, PN
10	6601879	1	Valve-Relief, Direct Acting	38	6200443	2	Nipple-Sch 80, 0.38 X CL, PN
11	9410203	2	Adapter-Hydr, St, 08MB-08MJ	39	0120128	1	Nipple-PP, Sch 40, 0.38 X 3.50
12	9410281	2	Elbow-Hydr, 90, 08FJX-08MJ	40	0218239	1	Tee-Pipe, 0.38 X 0.25 X 0.25NPT
13	6601143	2	Adapter-Hydr, St, 06MB-08MJ	41	0105423	2	Elbow-Pipe, 90, St, 0.25NPT
14	6200292	7	Nipple-PP, Sch 80, .25X.87CL	42	0218237	1	Tee-Pipe, 0.38X0.25X0.38NPT
15	6600787	1	Cross-Pipe, 0.25, Hyd, PD	43	0454034	2	Screw-Socket Hd, Cad, 0.25NCX2
16	9402683	2	Adapter-Hydr, St, 06MP-08MJ	44	3180662	1	Hose Asm-04X12.6, 4MPX-4MPX
17	9409287	7	Adapter-Hydr, St, 06FP-08MB	45	3180792	1	Hose Asm-04X6.3, 4MPX-4MPX90
18	3180667	1	Hose Asm-06X12, 6MPX-6MPX90	46	6601399	1	Hose Asm
19	3180668	1	Hose Asm-06X11, 6MPX-6MPX90	47	6601401	1	Hose Asm-08X30, 8FJX-8MPX
20	0119931	5	Bushing-Pipe, 0.38 X 0.25NPT, PN	48	3180624	1	Hose Asm-Steering Sys, Press. Ln
21	3180824	1	Hose Asm-04X9.6, 4MPX-4MPX90	49	3180625	1	Hose Asm-Steer. Sys, Return Line
22	3180655	1	Hose Asm-04X26, 4MPX90-4MPX90	50	3180626	1	Hose Asm-Steering System, RT
23	3180653	1	Hose Asm-04X29.2, 4MPX-4MPX90	51	3180627	1	Hose Asm-Steering System, LT
24	3180645	1	Hose Asm-04X8.2, 4MPX-4MPX90	52	9410202	4	Adapter-Hydr, St, 06MB-06MJ
25	0105417	1	Tee-Pipe, 0.25NPT, PN	53	6601937	4	Elbow-Hydr, 45 Deg, 06FJX-06MJ
26	0454121	3	Tee-Auto, 04FP-04FP-04FP, PD	54	3180840	1	Hose Asm-08X32, 8FJX-8FJX
27	3180642	1	Hose Asm-04X14, 04MPX-04MPX	55	3180821	1	Hose Asm-08X18, 8FJX-8FJX90
28	6601196	1	Hose Asm-08X24, 8FJX-8FJX				

# Hydraulic Control Assembly - 2 WD

## S/N K-5131 thru K-5253

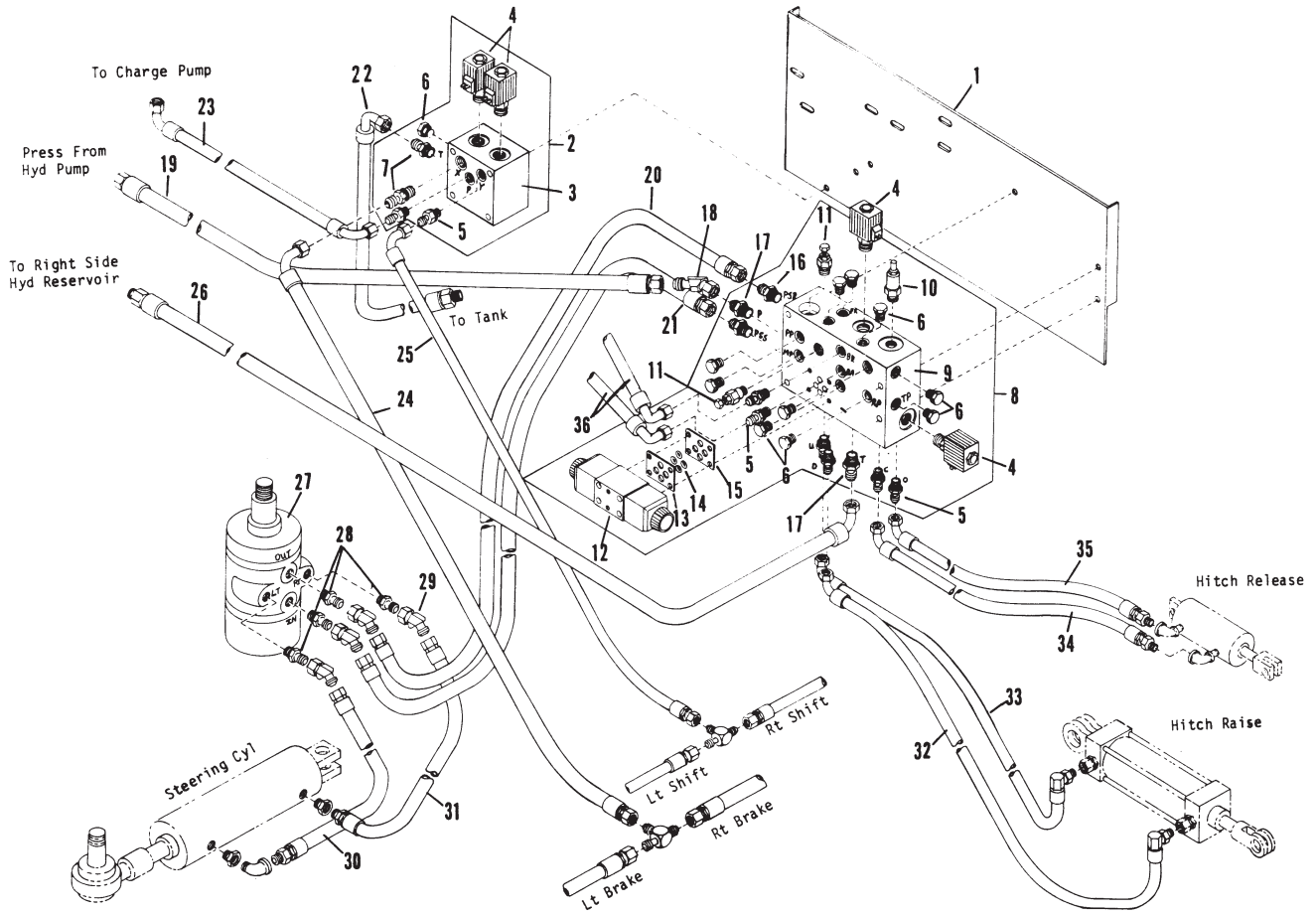


**Hydraulic Control Assembly - 2 WD**  
S/N K-5131 thru K-5253

REF.	PART NO.	QTY.	DESCRIPTION	REF.	PART NO.	QTY.	DESCRIPTION
1	3180854	1	Integrated Control Circuit				
2	3180853	1	Control Circuit Block				
3	9410356	11	Plug-1/4 SAE O Ring Boss				
4	6602131	2	Valve-Cart,4WD,2Pos, Spring Offset				
5	6602132	1	Reducing/Relieving Valve,PPDB-LNN				
6	6602110	2	Relief Valve Cartridge RPEC-FAN				
7	6602133	2	Adapter-Hyd,St,8MB-6MJ				
8	9410200	16	Adapter-Hyd,St,4MB-4MJ				
9	9410203	2	Adapter-Hyd,St,8MB-8MJ				
10	6601796	1	4Way 3Pos Closed Center D03 Valve				
	6601846	4	Bolt Kit-NFPA DOI Valve				
11	3180867	3	Hose Asm-04X8.18, 4FJX-4FJX90				
12	6602134	3	Adapter-Hydr, St, 6MB-4MJ				
13	6602136	1	Valve-Pressure Reducing, 3/8 SAE				
14	3180868	1	Hose Asm-04X7.62, 4FJX-4FJX				
15	9410304	2	Tee-Hydr, 4MJ-4MJ-4FJX				
16	3180901	1	Hose Asm-04X55.75, 4MPX-4FJX90				
17	3180897	2	Hose Asm-04X39.25, 4MPX90-4FJX				
18	6602140	4	Tee-Hydr, 4MJ-4FJX-4MJ				
19	6602117	2	Cap-Hydr, 4FJ				
20	6602135	3	Valve-4Way,2Pos,1/4 SAE				
21	3180788	1	Switch-Pressure,Hydro Chips				
22	3101574	1	Bracket-Charge PressureSwitch				
23	6701472	1	Cord Grip,M,0.31X0.50 SHC/017				
24	6601381	1	Adapter-Hydr,St,04MP-04MJ				
25	3180898	1	Hose Asm-04X40, 4MPX-4FJX90				
26	3180900	1	Hose Asm-04X80, 4MPX-4FJX90				
27	3180899	2	Hose Asm-04X15, 4FJX-4FJX90				
28	9410356	2	Plug-Hydr, 4MB				
29	6601702	1	Hose Asm-08X65, 8FJX-8FJX				
30	3180896	1	Hose Asm-08X51, 8MPX-8FJ				
31	9410255	1	Elbow-Hydr,45,08FJX-08MJ				
32	3180902	1	Hose Asm-04X49.75, 4FJX-4FJX				
33	3180903	1	Hose Asm-04X44.50, 4FJX-4FJX				
34	3180891	1	Hose Asm-04X21.38, 4FJX90-4MPX				
35	3180893	1	Hose Asm-04X23.62, 4FJX90-4MPX90				
36	3180892	1	Hose Asm-04X31.62, 4FJX90-4MPX90				
37	3180895	1	Hose Asm-04X109, 4MPX-4FJX90				
38	3180894	1	Hose Asm-04X105, 4FJX90-4MPX				
39	6601698	1	Valve-Hydraguide, Steer Control				
40	9410202	4	Adapter-Hydr,St, 06MB-06MJ				
41	6601937	4	Elbow-Hydr,45,06FJX-06MJ				
42	3180625	1	Hose Asm-Steer Sys, Return				
43	3180624	1	Hose Asm-Steer Sys, Press				
44	3180627	1	Hose-Steering System, Left				
45	3180626	1	Hose-Steering System, Right				
46	3180928	1	DOI Orifice Plate				
47	0274244	4	O-Ring, Hydraulic, 1 1/4 In.				
48	3361042	1	O-Ring Spacer Plate				

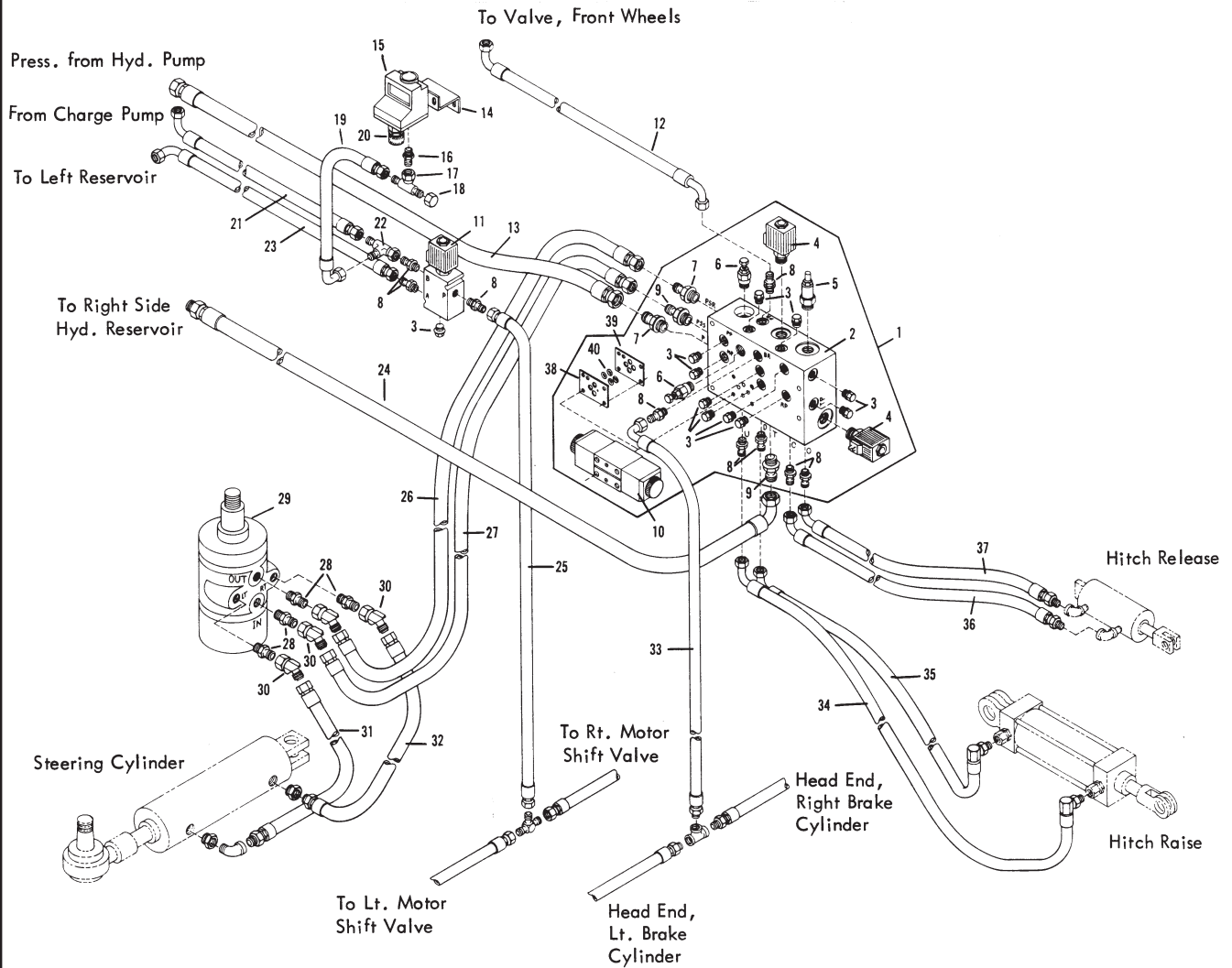
## Hydraulic Control Assembly 2WD

S/N K-5254 thru K-5262



REF.	PART NO.	QTY.	DESCRIPTION	REF.	PART NO.	QTY.	DESCRIPTION
1	3180856	1	Plate-Mtg, Integrated Control Circuit	25	3180977	1	Hose Asm-04 x 40, 04FJX-04FJX90
2	3180963	1	Brake/Shift Integrated Circuit	26	3180896	1	Hose Asm-08 x 51, 08FJX90-08MPX
3	3180962	1	Brake/Shift Circuit Block	27	6601698	1	Valve-Hydraguide, Steer Control
4	6602131	4	Valve-Cart, 4W, 2 Pos, Spring Offset	28	9410202	4	Adapter-Hyd, ST, 06MB-06MJ
5	9410200	8	Adapter-Hyd, ST, 04MB-04MJ	29	6601937	4	Elbow-Hyd, 45, 06FJX-06MJ
6	9410356	11	Plug-1/4", SAE O-Ring Boss	30	3180627	1	Hose-Steering System, Left
7	9410202	2	Adapter-Hyd, ST, 06MB-06MJ	31	3180626	1	Hose-Steering System, Right
8	3180978	1	Integrated Cont Circuit Poclairn 2WD	32	3180893	1	Hose Asm-04 x 31,.62,04FJX90-04FJX90
9	3180853	1	Control Circuit Block	33	3180892	1	Hose Asm-04 x 23,.62,04FJX90-04FJX90
10	6602132	1	Reducing/Relieving Valve PPDB-LNN	34	3180895	1	Hose Asm-04 x 109, 04MPX-04FJX90
11	6602110	2	Relief Valve Cartridge RPEC-FAN	35	3180894	1	Hose Asm-04 x 105, 04FJX90-04MPX
12	6601796	1	4 Way, 3 Pos Claosed Center D03 Valve	36	3180985	2	Hose Asm-04 x 60, 04MPX90-04FJX90
13	3180928	1	DOI Orifice Plate				
14	0274244	4	O-Ring, Hyd, 1 1/4"				
15	3361042	1	O-Ring Spacer Plate				
16	6602133	2	Adapter-Adapter-Hyd, ST, 08MB-06MJ				
17	9410203	2	Adapter-Hyd, ST, 08MB-08MJ				
18	9410255	1	Elbow-Hyd, 45, 08FJX-08MJ				
19	3180909	1	Hose Asm-08 x 140, 08FJX-08FJX				
20	3180625	1	Hose Asm-Steer System Return				
21	3180624	1	Hose Asm-Steer System Pressure				
22	3310986	1	Hose Asm-06 x 80, 06MPX-06FJX90				
23	3180898	1	Hose Asm-04 x 41, 04FJX90-04FJX90				
24	3180976	1	Hose Asm-06 x 43, 06FJX-06FJX90				

## Hydraulic Control Assembly - 4 Wheel Drive S/N K-5131 thru K-5262

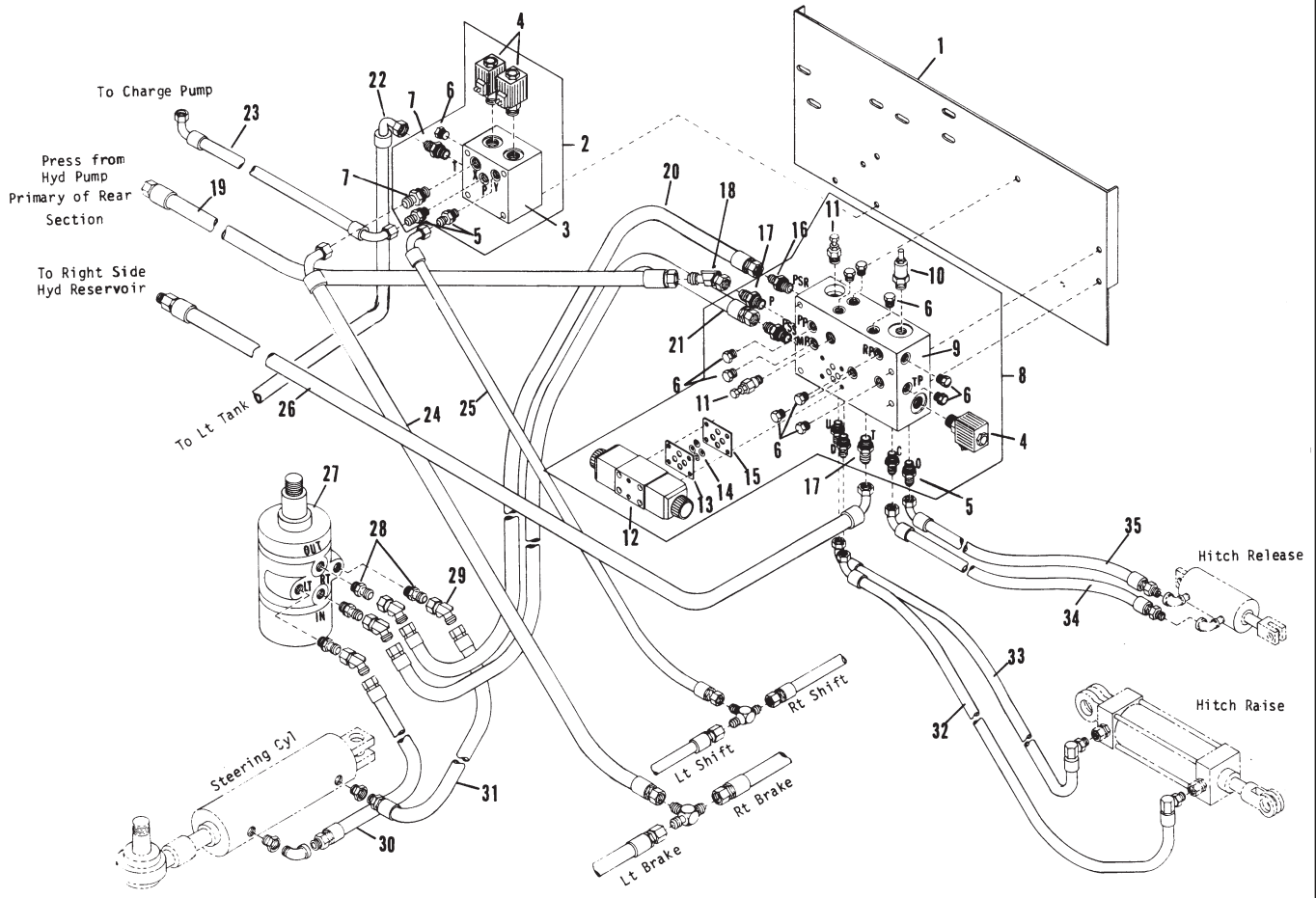


REF.	PART NO.	QTY.	DESCRIPTION	REF.	PART NO.	QTY.	DESCRIPTION
1	3180854	1	Integrated Control Circuit - 4WD	22	6602140	1	Tee-Hydr, 4MJ-4FJX-4MJ
2	3180853	1	Control Circuit Block	23	3180900	1	Hose Asm-04X80, 4MPX-4FJX90
3	9410356	11	Plug-1/4 SAE O Ring Boss	24	3180896	1	Hose Asm-08X51, 8FJX-90-8MPX
4	6602131	2	Valve-Cart,4WD,2Pos, Spring Offset	25	3180902	1	Hose Asm-04X49.75, 4FJX-4FJX
5	6602132	1	Reducing/Relieving Valve,PPDB-LNN	26	3180625	1	Hose Asm-Steer Sys, Return
6	6602110	2	Relief Valve Cartridge RPEC-FAN	27	3180624	1	Hose Asm-Steer Sys, Press
7	6602133	2	Adapter-Hyd,St,8MB-6MJ	28	9410202	4	Adapter-Hydr,St, 06MB-06MJ
8	9410200	9	Adapter-Hyd,St, 4MB-4MJ	29	6601698	1	Valve-Hydraguide, Steer Control
9	9410203	2	Adapter-Hyd,St, 8MB-8MJ	30	6601937	4	Elbow-Hydr,45,06FJX-06MJ
10	6601796	1	4Way 3Pos Closed Center D03 Valve	31	3180627	1	Hose-Steering System, Left
	6601846	4	Bolt Kit-NFPA DOI Valve	32	3180626	1	Hose-Steering System, Right
11	6602135	1	Valve-4 Way,2 Pos, 1/4 SAE	33	3180891	1	Hose Asm-04X21.38, 4FJX90-4MPX
12	3180859	1	Hose Asm-04X143, 4FJX90-4FJX90	34	3180893	1	Hose Asm-04X31.62, 4FJX90-4MPX90
13	3180909	1	Hose Asm-08X140, 8FJX-8FJX	35	3180892	1	Hose Asm-04X23.62, 4FJX90-4MPX90
14	3101574	1	Bracket-Charge Pressure Switch	36	3180895	1	Hose Asm-04X109, 4MPX-4FJX90
15	3180788	1	Switch-Pressure, Hydro Chips	37	3180894	1	Hose Asm-04X105, 4FJX90-4MPX
16	6601381	1	Adapter-Hyd,St, 04MP-04MJ	38	3180928	1	DOI Orifice Plate
17	9410304	1	Tee-Hydr, 04MJ-04MJ-04FJX	39	3361042	1	O-Ring Spacer Plate
18	6602117	1	Cap-Hydr, 04FJ	40	0274244	4	O-Ring, Hydraulic, 1 1/4 In.
19	3180867	1	Hose Asm-04X8.18, 4FJX-4FJX90				
20	6701472	1	Cord Grip,Mo.31X.50, SHC/017				
21	3180898	1	Hose Asm-04X40, 4MPX-4FJX90				

SPECIFY UNIT SERIAL NO., PART NO., & PART DESCRIPTION

## Hydraulic Control Assembly - 4 WD

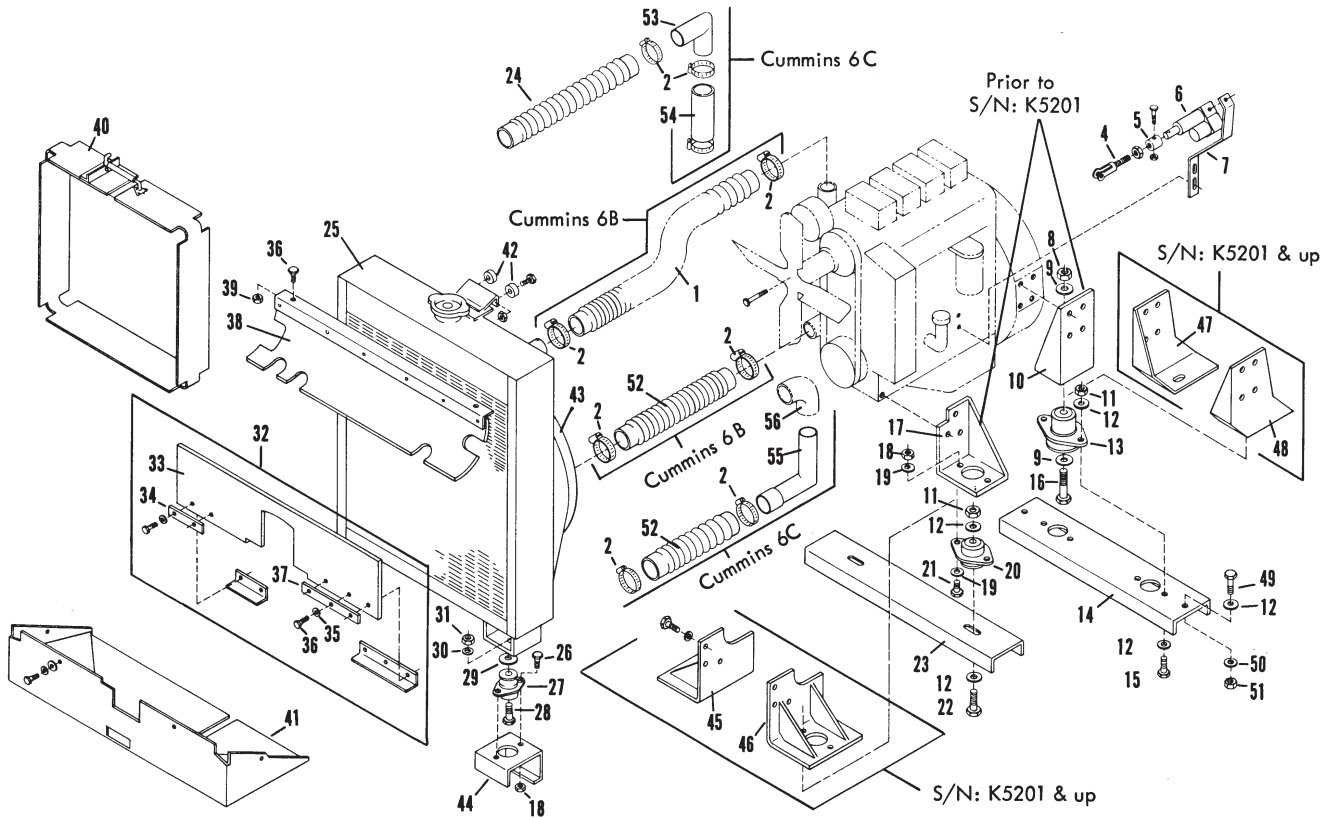
### S/N K-5241 thru K-5262



REF.	PART NO.	QTY.	DESCRIPTION	REF.	PART NO.	QTY.	DESCRIPTION
1	3180856	1	Plate-Mtg. Integrated Control Cir	25	3180977	1	Hose Asm-04 x 40, 04FJX-04FJX90
2	3180963	1	Brake/Shift Integrated Circuit	26	3180896	1	Hose Asm-08 x 51, 08FJX90-08MPX
3	3180962	1	Brake/Shift Circuit Block	27	6601698	1	Valve-Hydraguide, Steer Control
4	6602131	3	Valve-Cart, 4W, 2 Pos, Spring Offset	28	9410202	4	Adapter-Hyd, ST, 06MB-06MJ
5	9410200	6	Adapter-Hyd, ST, 04MB-04MJ	29	6601937	4	Elbow-Hyd, 45, 06FJX-06MJ
6	9410356	11	Plug-1/4"-SAE O-Ring Boss	30	3180627	1	Hose-Steering System, Left
7	9410202	2	Adapter-Hyd, ST, 06MB-06MJ	31	3180626	1	Hose-Steering System, Right
8	3180965	1	Integrated Cont Circuit, Poclairn 4WD	32	3180893	1	Hose Asm-04 x 31.62, 04FJX90-04MPX90
9	3180964	1	Control Circuit Block	33	3180892	1	Hose Asm-04 x 23.62, 04FJX90-04MPX90
10	6602132	1	Reducing/Relieving Valve PPDB-LNN	34	3180895	1	Hose Asm-04 x 109, 04MPX-04FJX90
11	6602110	2	Relief Valve Cartridge RPEC-FAN	35	3180894	1	Hose Asm-04 x 105, 04MPX-04FJX90
12	6601796	1	4 Way, 3 Pos Closed Center D03 Valve				
13	3180928	1	DOI Orifice Plate				
14	0274244	4	O-Ring, Hyd, 1 1/4"				
15	3361042	1	O-Ring Spacer Plate				
16	6602133	2	Adapter-Hyd, ST, 08MB-06MJ				
17	9410203	2	Adapter-Hyd, ST, 08MB-08MJ				
18	9410255	1	Elbow-Hyd, 45, 08FJX-08MJ				
19	3180909	1	Hose Asm-08 x 140, 08FJX-08FJX				
20	3180625	1	Hose Asm-Steer System Return				
21	3180624	1	Hose Asm-Steer System Pressure				
22	3310986	1	Hose Asm-06 x 80, 06MPX-06FJX90				
23	3180898	1	Hose Asm-04 x 41, 04FJX90-04FJX90				
24	3180976	1	Hose Asm-06 x 43, 06FJX-06FJX90				



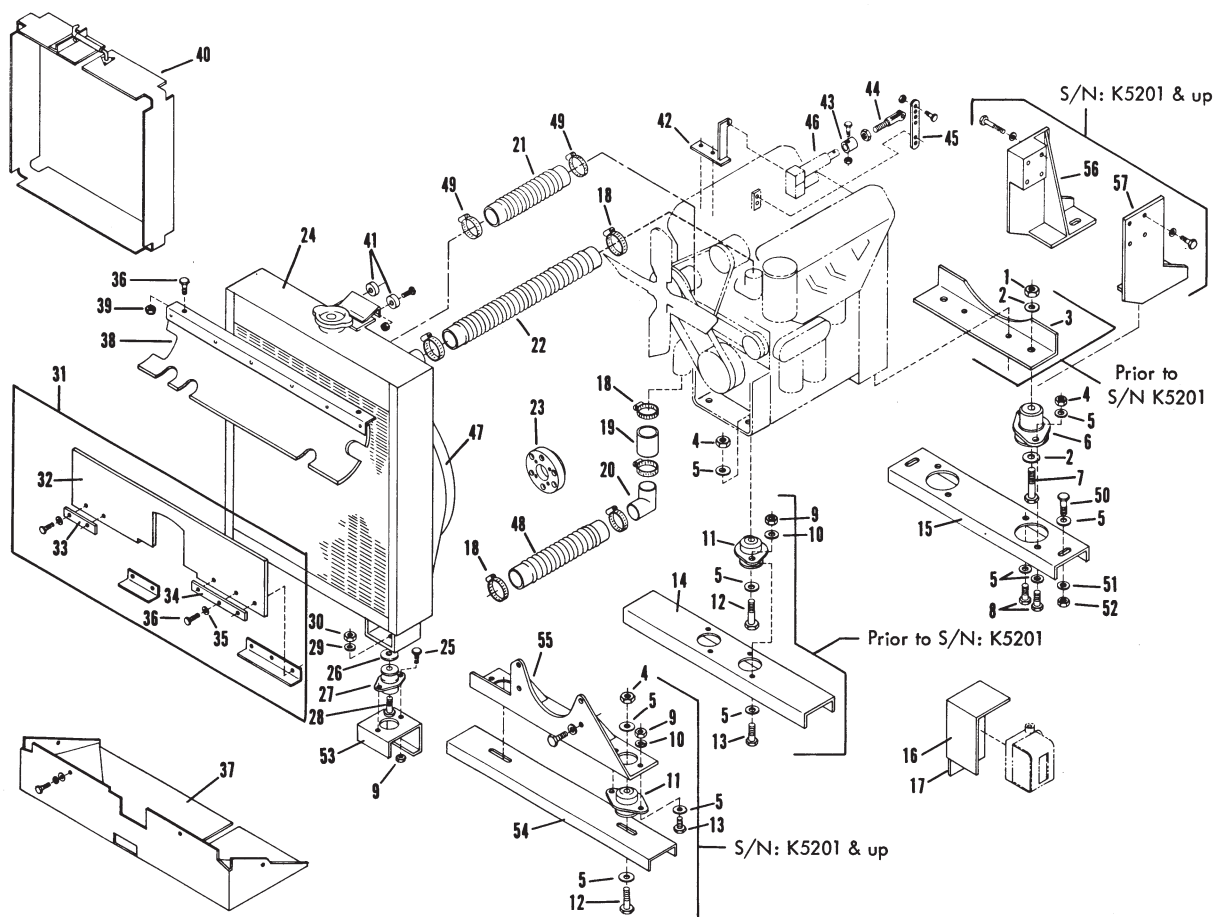
## Engine Accessories - Cummins Engines



REF.	PART NO.	QTY.	DESCRIPTION	REF.	PART NO.	QTY.	DESCRIPTION
1	6400219	1	HOSE-RADIATOR, 2.00X2.00X32.0 Lg	31	0271501	4	NUT-HEX, 0.44NC
2	6600906	AR	CLAMP-HOSE, WORM DR., 1.81 X 2.75	32	3101603	1	BAFFLE ASM-LOWER FRONT
3	6001084	4	SCREW-FAN SPACER	33	3101580	1	BAFFLE-LOWER FRONT
4	3352327	1	YOKE-CONNECTING LINK	34	3101583	1	PLATE-BACK UP
5	3101346	1	CONNECTOR-THROTTLE	35	0120380	7	WASHER-LOCK, 0.25, SPRING, PD
6	6701934	1	ACTUATOR-LINEAR	36	0121887	7	SCREW-HEX, 0.25NC X 0.75, GR2, PD
7	3101341	1	BRACKET-MOUNT, THROTTLE CYL, 6B	37	3101584	1	PLATE-BACK UP
	3171147	1	BRACKET-MOUNT, THROTTLE CYL, 6C	38	3101600	1	BAFFLE ASM - TOP
8	9416331	2	NUT-HEX, LOCK, 1.00NC, GR 8, PD	39	9413946	2	NUT-HEX, LOCK, 0.25NC, PD
9	0131002	4	WASHER-FLAT, 1.00, PD	40	3101602	1	COOLER DUCT ASM
10	3110992	1	LEG ASM-REAR ENG. MOUNT, LEFT (S/N: Prior to K5201)	41	3101601	1	COVER ASM-BOTTOM, FAN
	3110987	1	LEG ASM-REAR ENG. MOUNT, RIGHT (S/N: Prior to K5201)	42	6000455	2	WASHER-RUBBER
11	9419530	6	NUT-HEX, LK WSH INS, 0.62, 301, PD	43	3101599	1	SHROUD-RADIATOR
12	0130999	12	WASHER-FLAT, 0.62, PD	44	3101590	1	PLATE-BOTTOM, RADIATOR MOUNT
13	6001049	2	MOUNT-CUSHION, REAR ENGINE	45	3111192	1	MOUNT ASM-RT FRONT, CUMMINS B (S/N: K5201 & UP)
14	3110993	1	CHANNEL-REAR ENGINE MOUNT		3111195	1	MOUNT ASM-RT FRONT, CUMMINS C (S/N: K5201 & UP)
15	0428217	4	SCREW-HEX, 0.62NC X 1.50, GR 2	46	3111190	1	MOUNT ASM-LT FRONT, CUMMINS B (S/N: K5201 & UP)
16	0433499	2	SCREW-HEX, 0.75NC X 5.00, GR 2		3111197	1	MOUNT ASM-LT FRONT, CUMMINS C (S/N: K5201 & UP)
17	3110989	1	LEG ASM-FRT ENG MOUNT, LEFT (S/N: Prior to K5201)	47	3111215	1	MOUNT ASM-RT REAR, CUMMINS B
	3110990	1	LEG ASM-FRT ENG MOUNT, RIGHT (S/N: Prior to K5201)		3111201	1	MOUNT ASM-RT REAR, CUMMINS C
18	0274993	4	NUT-HEX, LOCK, 0.38NC, EA, PD	48	3111217	1	MOUNT ASM-LT REAR, CUMMINS B
19	0446363	8	WASHER-FLAT, 0.31, PD		3111200	1	MOUNT ASM-LT REAR, CUMMINS C
20	6000916	2	MOUNT-CUSHION, FRONT ENGINE	49	0428691	2	SCREW-HEX, 0.62NC X 2.00
21	0122145	4	SCREW-HEX, 0.38NC X 1.25, GR 2, PD	50	0121574	2	WASHER-LOCK, 0.62, SPRING
22	0428715	2	SCREW-HEX, 0.62NC X 4.00, GR 2, PD	51	0124589	2	NUT-HEX, 0.62NC, PD
23	3110816	1	CHANNEL-ENG MT, FRONT	52	6400281	1	HOSE-RADIATOR, 2.50 X 2.50 X 14.00 LG
24	6601361	1	HOSE-RADIATOR, 2.00X2.50X20.0 LG	53	3110984	1	ELBOW ASM-RAD. HOSE, CUMMINS
25	6400279	1	RADIATOR-ENGINE	54	6601362	1	HOSE-RADIATOR, 2.0 X 2.0 X 7.5 LG
26	0120233	4	SCREW-HEX, 0.38NC X 1.00, GR2, PD	55	3111174	1	TUBE ASM-LOWER RAD., CUMMINS 6CT
27	6000999	2	MOUNT-CUSHION, RADIATOR	56	---	1	INLET HOSE - INCLUDED WITH ENGINE
28	0124150	2	SCREW-HEX, 0.44NC X 2.75, GR2, PD				
29	3101613	AR	SHIM-RADIATOR				
30	0120383	4	WASHER-LOCK, 0.44, SPRING, PD				

AR = AS REQUIRED

## Engine Accessories - CAT Engines



REF.	PART NO.	QTY.	DESCRIPTION	REF.	PART NO.	QTY.	DESCRIPTION
1	9416331	2	NUT-HEX, LOCK, 1.00NC, GR8, PD	32	3101580	1	BAFFLE-LOWER FRONT
2	0131002	4	WASHER-FLAT, 1.00A (1.06X2.50) PD	33	3101583	1	PLATE-BACK UP, RIGHT
3	3111022	1	ANGLE-ENGINE MOUNT, REAR (For Units Prior to Serial Number K-5201)	34	3101584	1	PLATE-BACK UP, LEFT
4	9419530	8	NUT-HEX, LK WSH INS, 0.62, PD	35	0120380	7	WASHER-LOCK, 0.25, SPRING, PD
5	0130999	2	WASHER-FLAT, 0.62A(0.69X1.75) PD	36	0121887	7	SCREW-HEX, 0.25NC X 0.75, GR 2
6	6000885	2	MOUNT-CUSHION, RR ENGINE	37	3101601	1	COVER ASM-BOTTOM, FAN
7	6100270	2	SCREW-HEX, 1.00NC X 6.00, GR2, PD	38	3101600	1	BAFFLE ASM-TOP
8	0428217	4	SCREW-HEX, 0.62NC X 1.50, GR2, PD	39	9413946	2	NUT-HEX, LOCK, 0.25NC, PD
9	0274993	4	NUT-HEX, LOCK, 0.38NC, PD	40	3101602	1	COOLER DUCT ASM
10	0446363	8	WASHER-FLAT, 0.31, PD	41	6000455	2	WASHER-RUBBER
11	6000916	2	MOUNT-CUSHION, FRONT ENGINE	42	3111134	1	BRACKET-THROTTLE CYL, CAT
12	0428715	2	SCREW-HEX, 0.62NC X 4.00, GR2	43	3101346	1	CONNECTOR-THROTTLE
13	0122145	4	SCREW-HEX, 0.38NC X 1.25, GR2	44	3352327	1	YOKE-CONNECTING LINK
14	3111038	1	CHANNEL-FRNT ENGINE MOUNT, CAT (For Units with Serial No. Prior to K-5201)	45	3111128	1	ACCELERATOR EXTENSION, CAT.
15	3110867	1	CHANNEL-REAR ENGINE MOUNT	46	6701934	1	ACTUATOR-LINEAR
16	3111033	1	GUARD-FUEL/WATER SEPERATOR	47	3101599	1	SHROUD-RADIATOR
17	3111032	1	PLATE-MTG, FUEL/WATER SEPERATOR	48	6400282	1	HOSE-RADIATOR, 2.00 X 2.00 X 12.25 LG
18	6600906	AR	CLAMP-HOSE, WORM DR. 1.81 X 2.75	49	3180250	2	WORM DRIVE HOAE CLAMP
19	3111097	1	HOSE-RADIATOR, CAT	50	0428691	2	SCREW-HEX, 0.62NC X 2.00
20	3110842	1	ELBOW ASM-RADIATOR HOSE	51	0121574	2	WASHER-LOCK, 0.62,PD
21	3111019	1	HOSE-RADIATOR, 28 IN, CAT.	52	0124589	2	NUT-HEX, 0.62NC, PD
22	6400219	1	HOSE-RADIATOR, 2.00 X 32.00 LG.	53	3101590	2	PLATE-BOTTOM, RADIATOR MT.
23	3170185	1	ADAPTER-PUMP CRANK	54	3110816	1	CHANNEL-ENGINE MT.,FRONT (Units with Serial No. K-5201 and up)
24	6400280	1	RADIATOR-ENGINE	55	3111204	1	MOUNT ASM-FRONT, CAT (units with serial no. K-5201 and up)
25	0120233	4	SCREW-HEX, 0.38NC X 1.00, GR2	56	3111208	1	MOUNT ASM-RT REAR, CAT (serial no. K-5201 and up)
26	3101613	AR	SHIM-RADIATOR	57	3111211	1	MOUNT ASM-LT REAR, CAT (serial no. K-5201 and up)
27	6000999	2	MOUNT-CUSHION, RADIATOR				
28	0124150	2	SCREW-HEX, 0.44NC X 2.75, GR2				
29	0120383	4	WASHER-LOCK, 0.44, SPRING, PD				
30	0271501	4	NUT-HEX, 0.44NC				
31	3101603	1	BAFFLE ASM-LOWER FRONT				

## Reporting Safety Defects



## Reporting Safety Defects

If you believe that your vehicle has a defect which could cause a crash or could cause injury or death you should immediately inform the National Highway Traffic Safety Administration (NHTSA) in addition to notifying E. D. Etnyre & Co.

If NHTSA receives similar complaints, it may open an investigation, and if it finds that a safety defect exists in a group of vehicles, it may order a recall and remedy campaign. However, NHTSA cannot become involved in individual problems between you, your dealer, or E. D. Etnyre & Co.

To contact NHTSA, you may either call the Auto Safety Hotline toll-free at 1-800-424-9393 (or 366-0123 in Washington, D. C. area) or write to: NHTSA, U.S. Department of Transportation, Washington, D.C. 20696. You can also obtain other information about motor vehicle safety from the hotline.

